

PARTS LIST

Moonroof visor


 2 Brackets "A"
(Identification mark: TBA A)

 Right bracket "B"
(Identification mark: TBA-R B)

 Left bracket "B"
(Identification mark: TBA-L B)


4 Screws



4 Nuts



2 Alcohol swabs



4 Protective films


TOOLS AND SUPPLIES REQUIRED

Phillips screwdriver

10 mm Offset wrench

Ruler

Shop towel

Masking tape

Felt-tip pen

The following tool is available through the Honda Tool and Equipment Program. On the iN, click on Service > Service Bay > Tool and Equipment Program, then enter the number under "Search." Or, call 888-424-6857.

Torque Screwdriver (T/N CDI401SM)

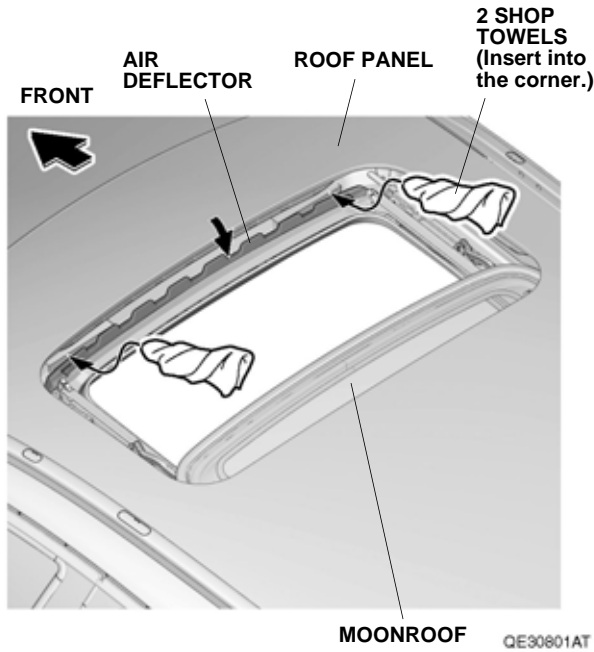
INSTALLATION

Customer Information: The information in this installation instruction is intended for use only by skilled technicians who have the proper tools, equipment, and training to correctly and safely add equipment to your vehicle. These procedures should not be attempted by "do-it-yourselfers."

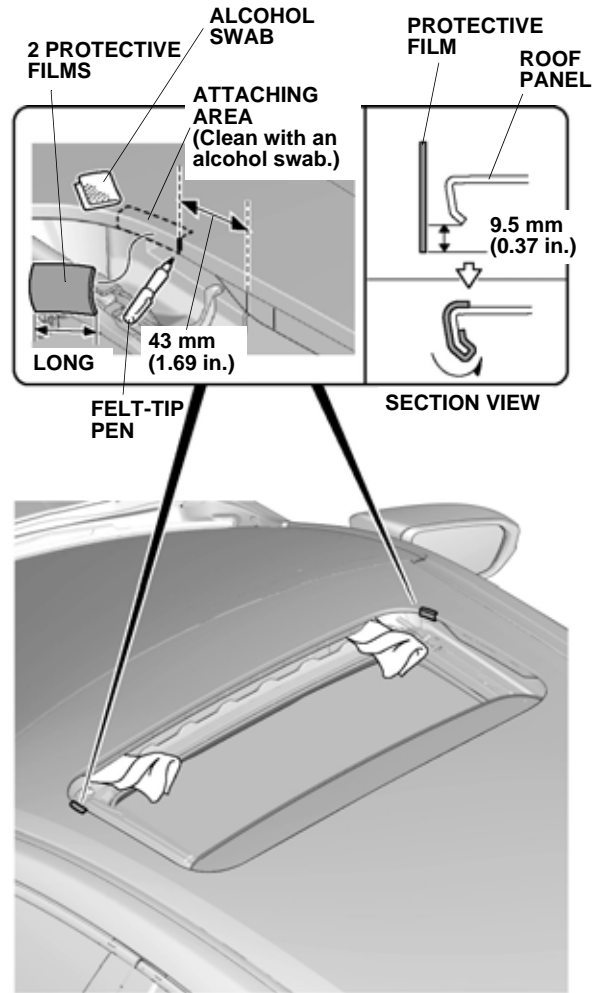
NOTE:

- Be careful not to damage the body paint finish.
 - This moonroof visor kit should be installed only if the ambient air temperature is 15°C (60°F) or above.
 - To allow the adhesive to cure, do not wash the vehicle for 24 hours. Make sure your customer is aware of this.
1. Clean the areas to be covered.

- Open the moonroof. Roll up two shop towels and insert them between the roof panel and air deflector to lower the air deflector.
NOTE: Be careful not to damage the air deflector.

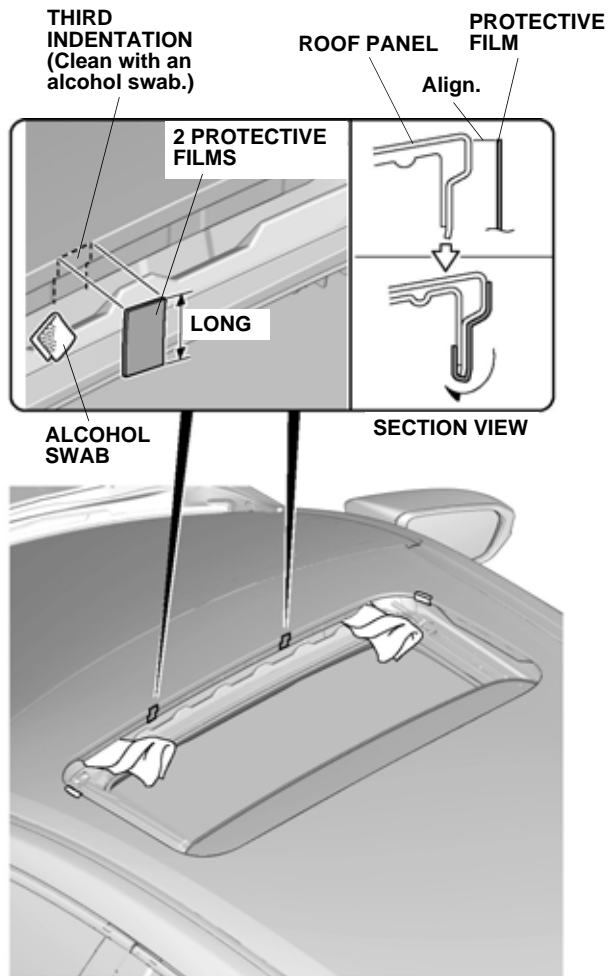


- Measure and make two marks on the roof panel as shown.



- Using an alcohol swab, clean the roof panel at each of the two marks you have made, but do not wipe off the marks.
- Remove the adhesive backing from the two protective films and attach them to the roof panel at the two marks you made.

6. Locate the third indentation from the side of the moonroof opening. Using an alcohol swab, clean the roof panel where the protective films will attach.

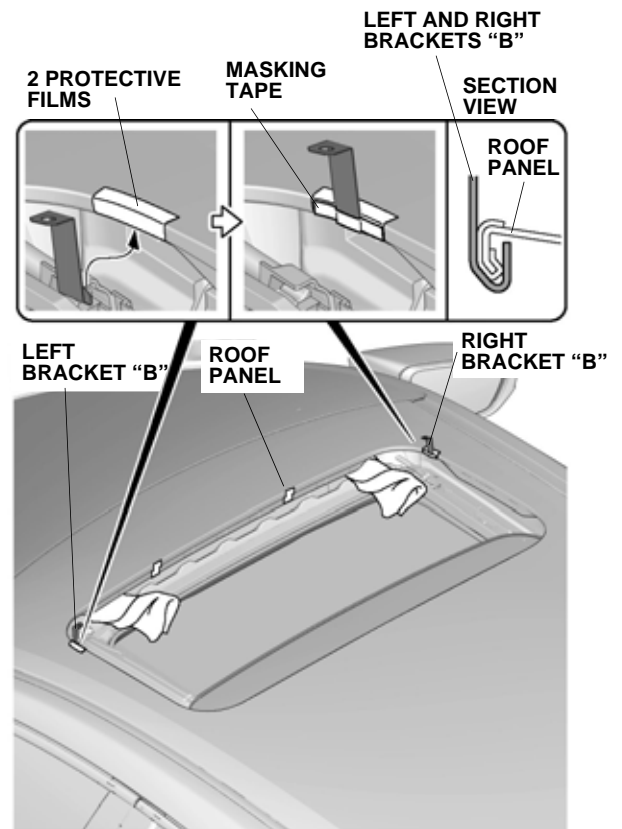


QE30803DT

7. Remove the adhesive backing from the two protective films and attach them to the roof panel at the third indentation.

8. Place left and right brackets "B" into position over the two protective films and around the lip of the roof panel and tape them into position with strips of masking tape.

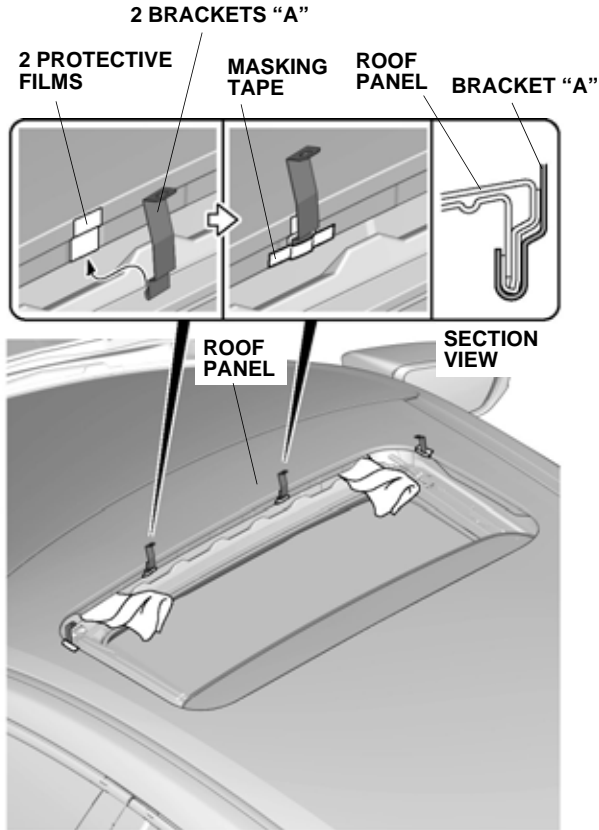
NOTE: Be careful not to crease the protective film.



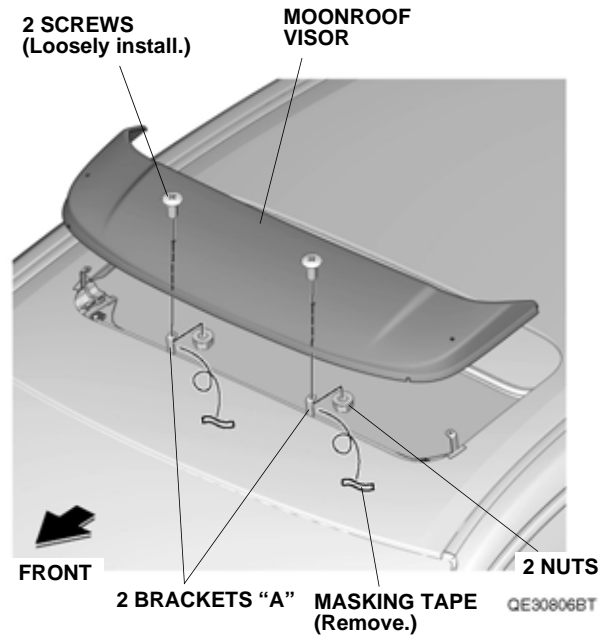
QE30804CT

- Place two brackets "A" into position over the two protective films and around the lip of the roof panel and tape them into position with strips of masking tape. Make sure to line up the lower end of brackets "A" with the third indentation.

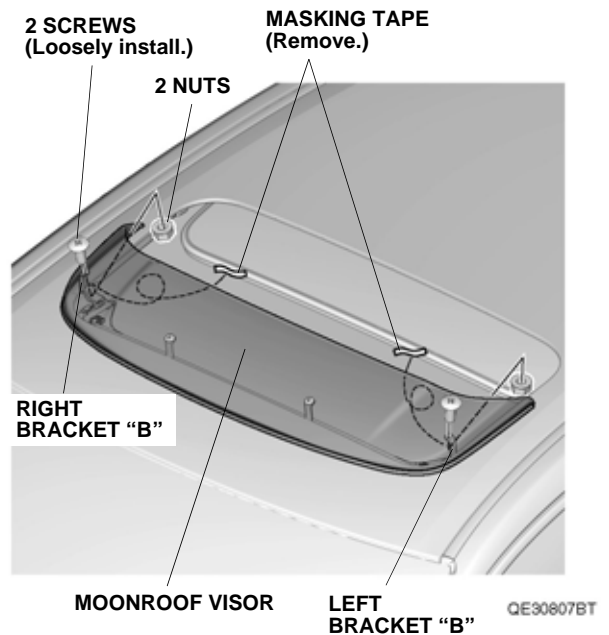
NOTE: Be careful not to crease the protective film.



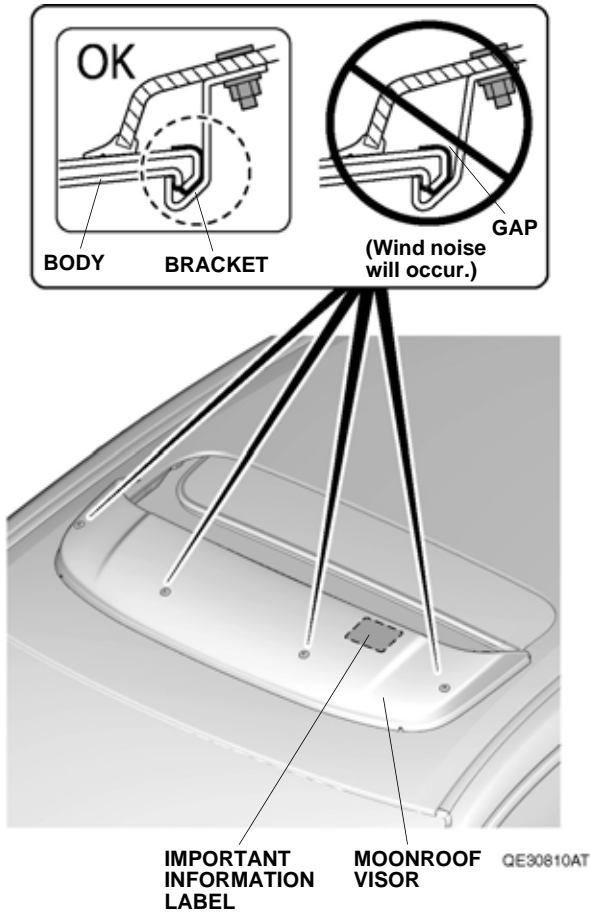
- Set the moonroof visor on the vehicle roof in front of the moonroof opening, and adjust its position so the holes in the moonroof visor are lined up with the bracket "A" holes. Loosely install the moonroof visor to the brackets "A" with two screws and two nuts. Remove the strips of masking tape from the brackets "A".



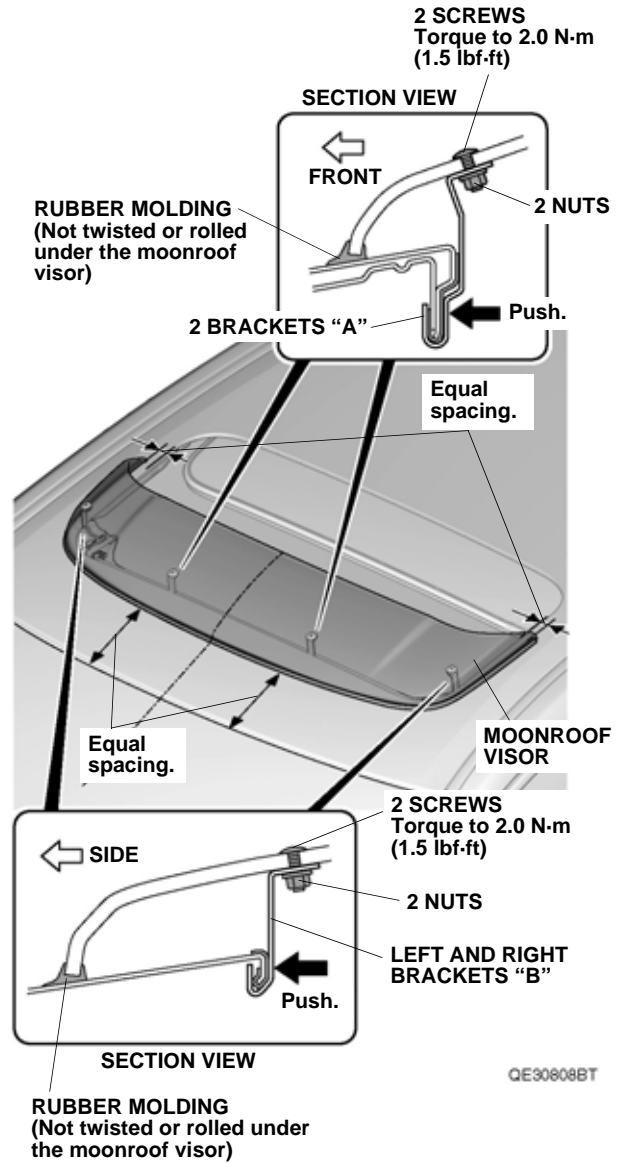
- Loosely install the moonroof visor to left and right brackets "B" with two screws and two nuts. Remove the strips of masking tape from left and right brackets "B".



12. Install the brackets against the body as shown.
 NOTE: Read the IMPORTANT INFORMATION label to avoid wind noise.

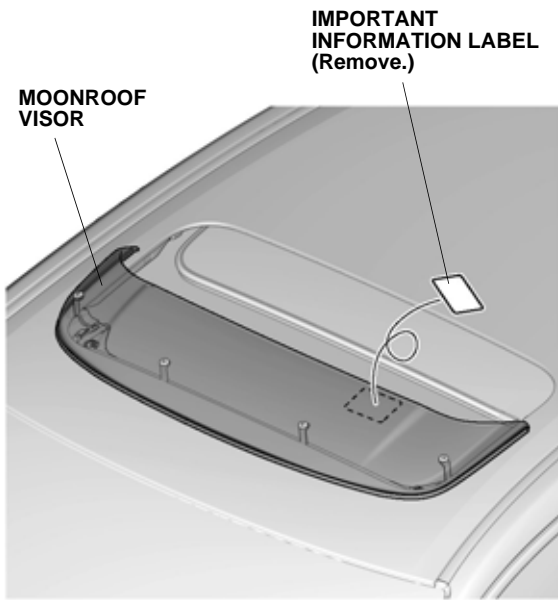


13. Position the moonroof visor with equal spacing in the front and on the sides. Check that the rubber molding is not twisted or rolled under the moonroof visor.



14. Tighten the two screws and two nuts on the front of the vehicle first, then tighten the two screws and two nuts on each side.
 Torque the screws to 2.0 N-m (1.5 lbf-ft).
 NOTE: Tighten the screws and nuts while applying pressure so there is no gap between the roof panel and brackets "A" and "B".

15. Remove the shop towels inserted in step 2. Remove the IMPORTANT INFORMATION label.



QE30809BT

Put a copy of this page in the glove box for your customer.

CARE OF THE MOONROOF VISOR

- To avoid damaging the surface, do not use organic solvents such as gasoline, ammonia-based cleaners, or solvents to clean the moonroof visor.
- Clean with neutral detergent solution and water using a soft cloth or chamois.
- To remove fine scratches and restore the original luster, use Meguiar's Mirror Glaze plastic cleaner and polish or an equivalent high-quality plastic cleaner.