



# INSTALLATION INSTRUCTIONS

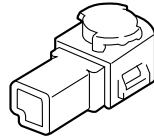
Accessory  
**AMBIENT LIGHTS**  
P/N 08E10-TK8-101

Application  
**2016 ODYSSEY**

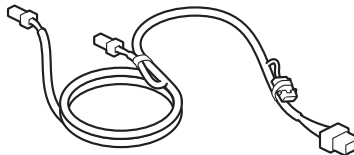
Publications No.  
**VERSION 1**  
Issue Date  
**JULY 2015**

## PARTS LIST

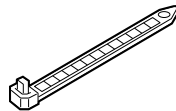
2 Ambient lights



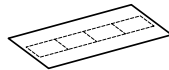
Ambient light harness



13 Wire ties



Fuse label



## TOOLS AND SUPPLIES REQUIRED

Isopropyl alcohol

Shop towel

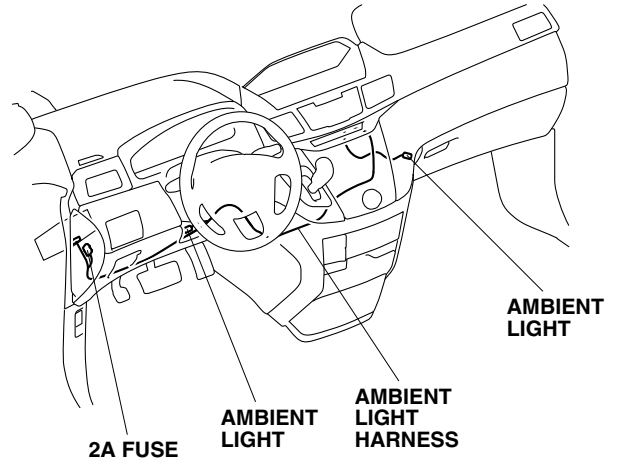
Diagonal cutters

10 mm Open end wrench

Trim Tool Set (SOJATP2014)

*Available through the Honda Tool and Equipment program. On the iN, click on: Service/Service Bay/Tool and Equipment Program, then enter the number under "Search." Or call 888-424-6857.*

## Illustration of the Ambient Lights in the Vehicle

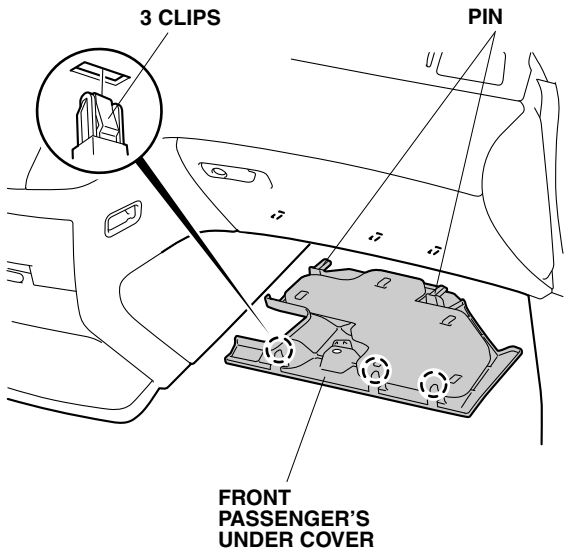


## INSTALLATION

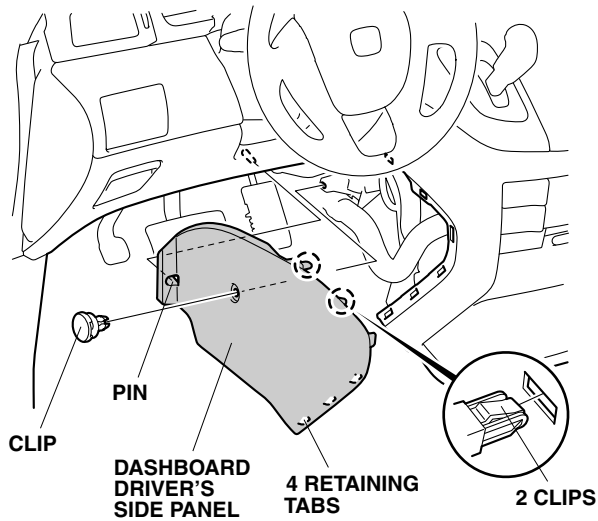
**Customer Information:** The information in this installation instruction is intended for use only by skilled technicians who have the proper tools, equipment, and training to correctly and safely add equipment to your vehicle. These procedures should not be attempted by "do-it-yourselfers."

1. Make sure you have the anti-theft code for the audio unit and navigation system (if equipped), then write down the radio station presets.
2. Disconnect the negative cable from the battery.

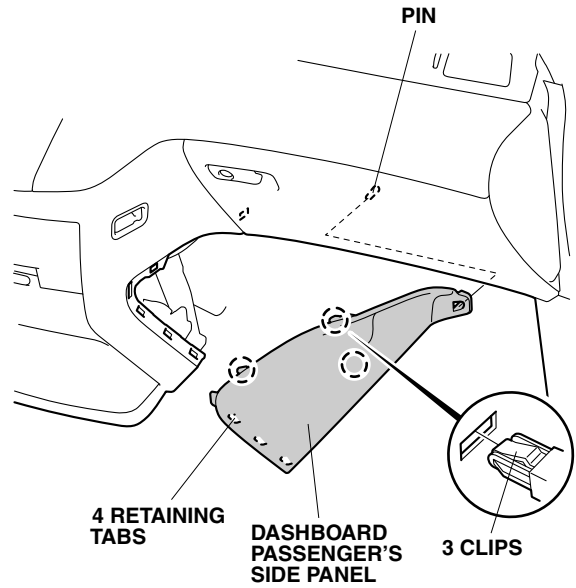
- Remove the front passenger's under cover (three clips and two pins).



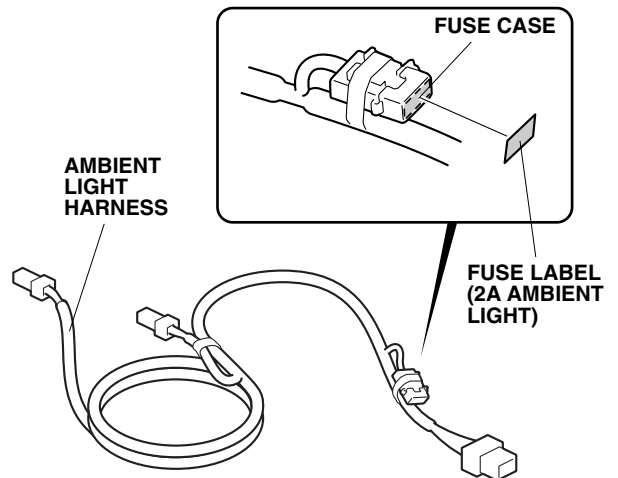
- Remove the dashboard driver's side panel (three clips, four retaining tabs, and one pin).



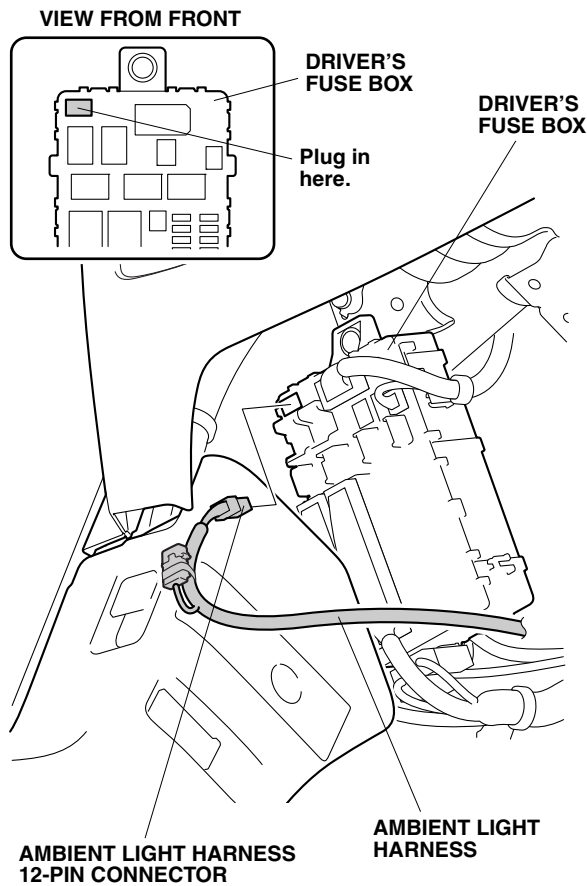
- Remove the dashboard passenger's side panel (three clips, four retaining tabs, and one pin).



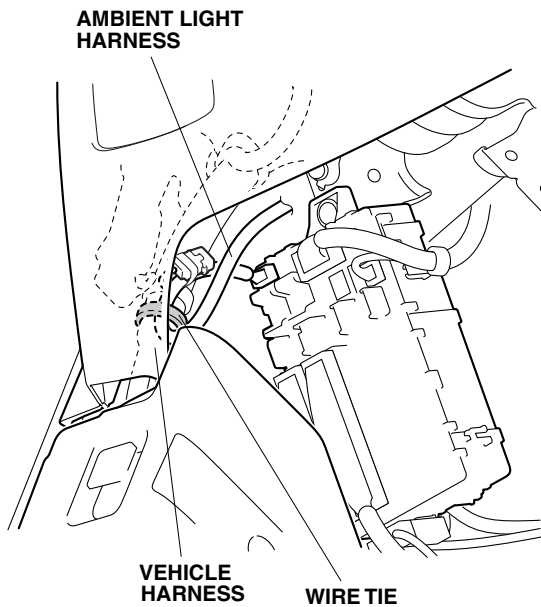
- Using isopropyl alcohol on a shop towel, thoroughly clean the fuse case where the fuse label will attach. Attach the 2A fuse label to the fuse case on the ambient light harness.



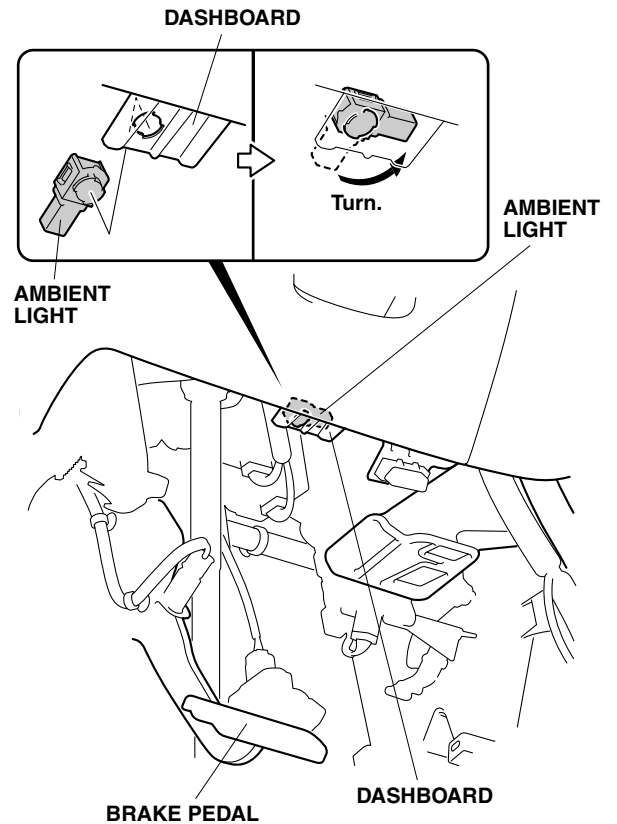
7. Plug the ambient light harness 12-pin connector into the driver's fuse box.



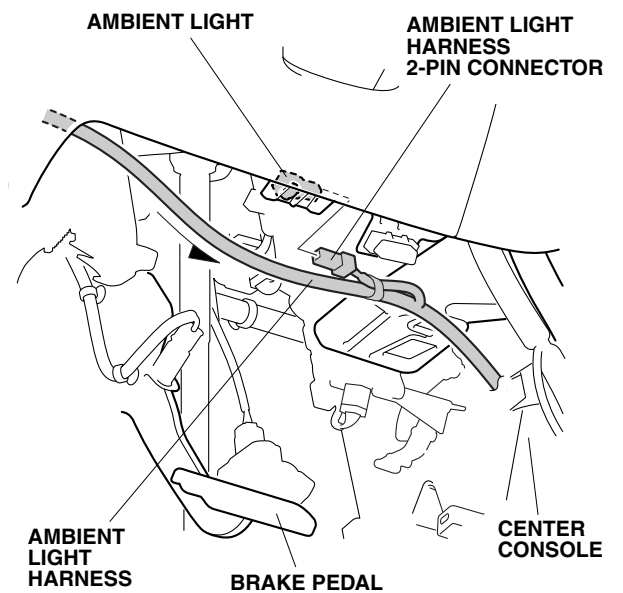
8. Secure the ambient light harness to the vehicle harness with one wire tie.



9. Install the ambient light into the hole in the dashboard as shown.

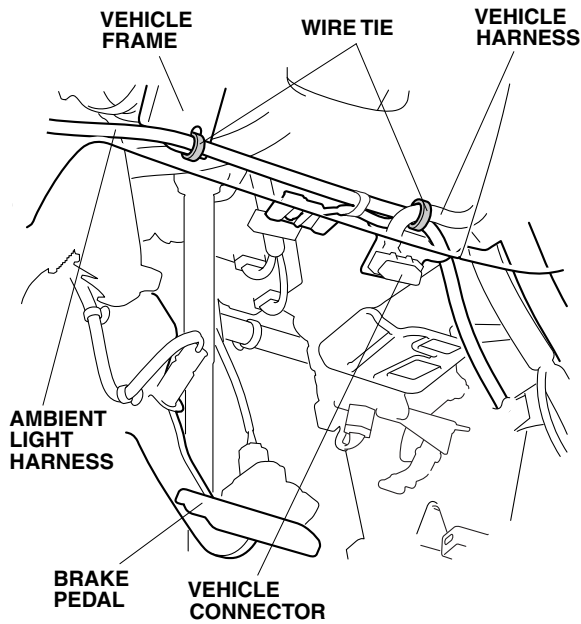


10. Route the ambient light harness to the center console as shown.

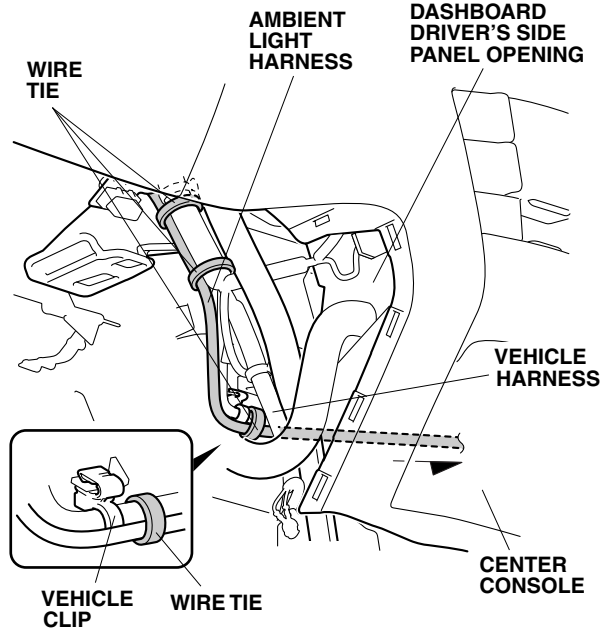


11. Plug the ambient light harness 2-pin connector into the ambient light.

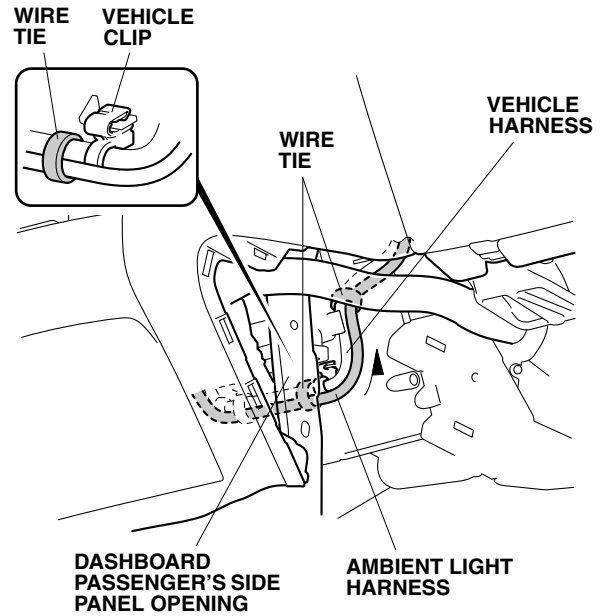
12. Secure the ambient light harness to the vehicle frame and vehicle harness with two wire ties.



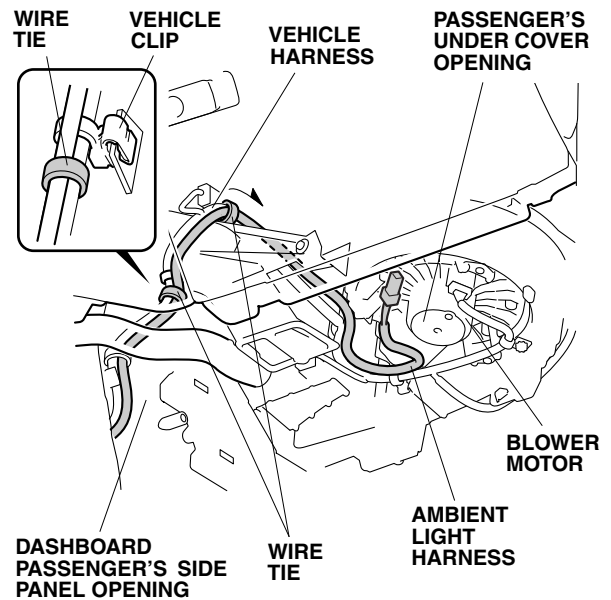
13. Route the ambient light harness through the center console, and secure it to the vehicle harness with three wire ties. Secure the wire tie next to the vehicle clip.



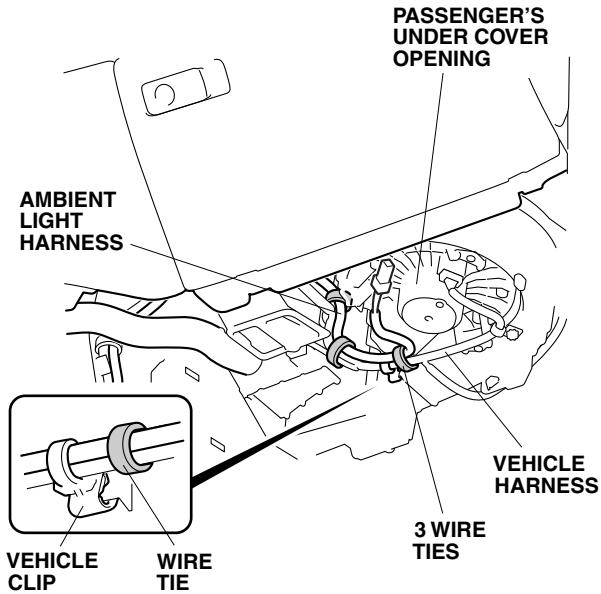
14. Route the ambient light harness along the vehicle harness, and secure it to the vehicle harness with two wire ties. Secure the wire tie next to the vehicle clip.



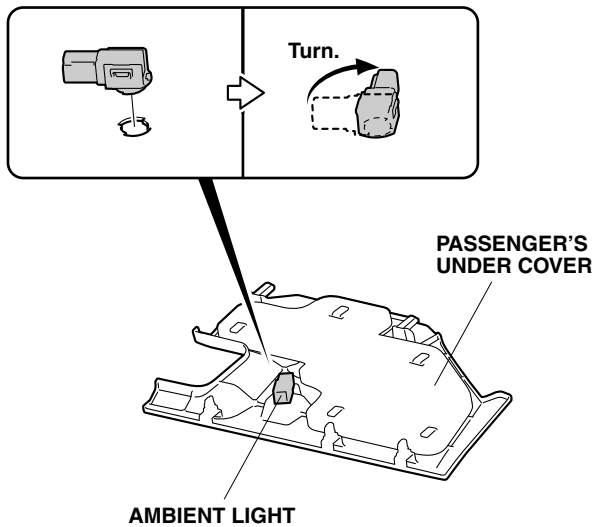
15. Route the ambient light harness along the vehicle harness, and to the blower motor. Secure the ambient light harness to the vehicle harness with two wire ties. Secure the wire tie next to the vehicle clip.



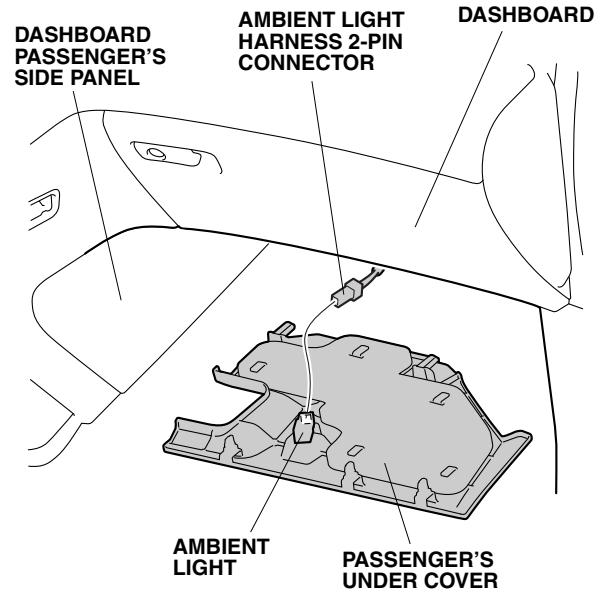
- Secure the ambient light harness to the vehicle harness with three wire ties. Secure the wire tie next to the vehicle clip.



- Install the ambient light into the passenger's under cover as shown.



- Reinstall the dashboard passenger's side panel.



- Move the passenger's under cover near the dashboard, plug the ambient light harness 2-pin connector into the ambient light, and reinstall the passenger's under cover.
- Check that all wire harnesses and cables are routed properly and that all connectors are plugged in.
- Reinstall all removed parts.
- Reconnect the negative cable to the battery.
- Enter the anti-theft code for the audio unit and navigation system (if equipped), and reset the radio station presets.
- Reset the clock on vehicles without navigation.