



# INSTALLATION INSTRUCTIONS

Accessory  
**LED FOG LIGHTS**

Application  
**2016 CR-Z**

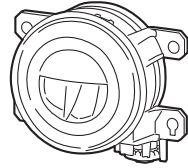
Publications No.  
**VERSION 1**

Issue Date  
**OCT 2015**

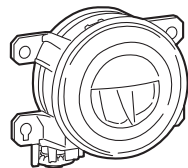
## PARTS LIST

**LED Fog Lights Kit**  
**P/N 08V31-E3J-100**

LED Fog light A (marked A)

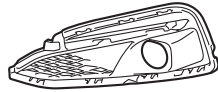


LED Fog light B (marked B)



**Fog Light Attachment Kit**  
**P/N 08V38-SZT-100**

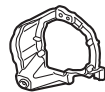
Left trim



Right trim



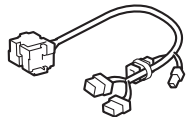
Left bracket (marked L)



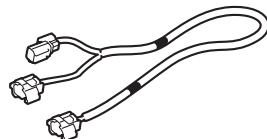
Right bracket (marked R)



Relay harness



Fog light harness



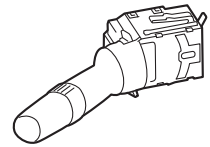
Subharness



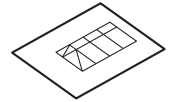
Relay bracket



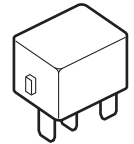
Light switch



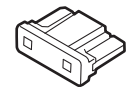
Fuse label



Relay



20A Fuse



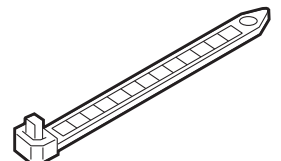
12 Self-tapping screws



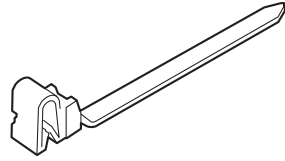
Connector clip



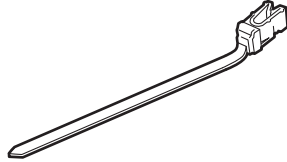
6 Wire ties



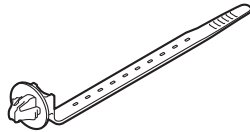
5 Wire ties with clip A



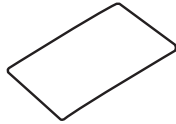
Wire tie with clip B



Wire tie with clip C



3 Aluminum tapes



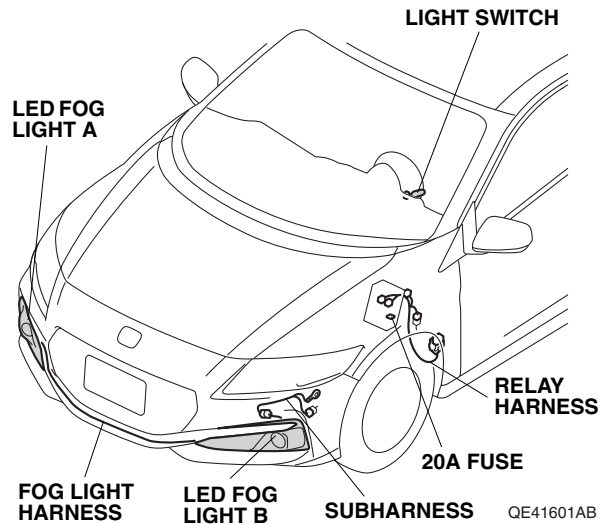
### TOOLS AND SUPPLIES REQUIRED

- Phillips screwdriver
- Ratchet
- 10 mm Socket
- Isopropyl alcohol
- Shop towel
- Diagonal cutters
- 10 mm Open end wrench
- Flat-tip screwdriver
- Blanket
- Masking tape

*The following tool is available through the Honda Tool and Equipment Program. On the iN, click on Service > Service Bay > Tool and Equipment Program, then enter the number under "Search." Or, call 888-424-6857.*

Trim Tool Set (T/N SOJATP2014)

### Illustration of the LED Fog Lights on the Vehicle

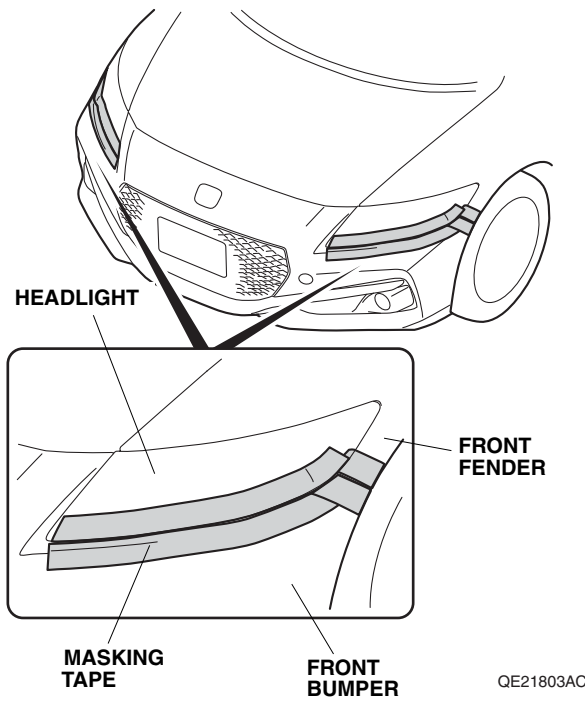


### INSTALLATION

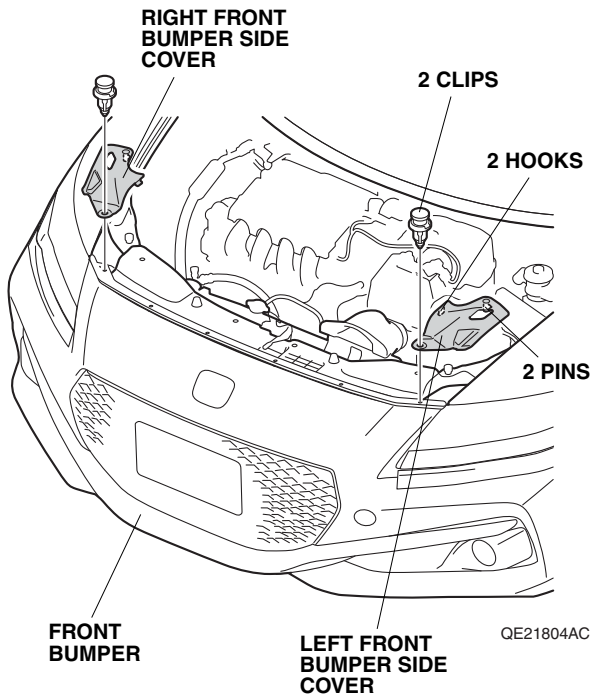
**Customer Information:** The information in this installation instruction is intended for use only by skilled technicians who have the proper tools, equipment, and training to correctly and safely add equipment to your vehicle. These procedures should not be attempted by "do-it-yourselfers."

1. Disconnect the negative cable from the battery.

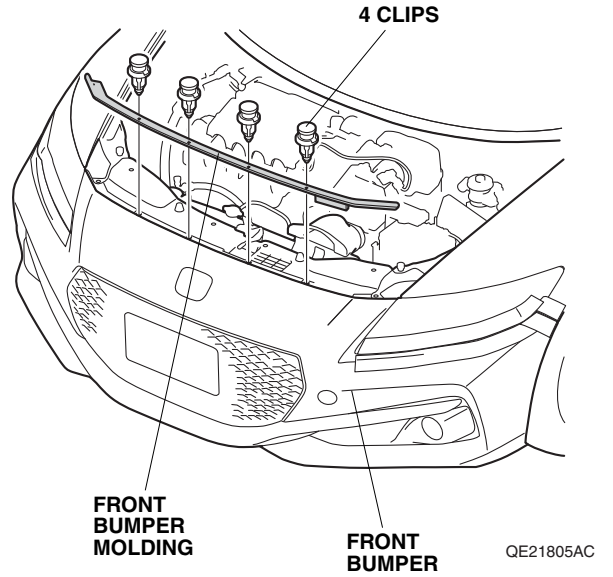
- Attach masking tape to the front bumper, headlights, and front fenders as shown.



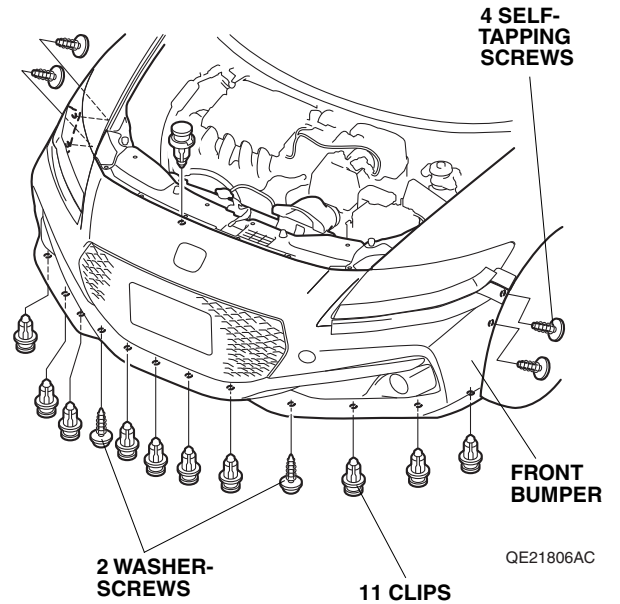
- Remove the front bumper.
  - Remove the left and right front bumper side cover.



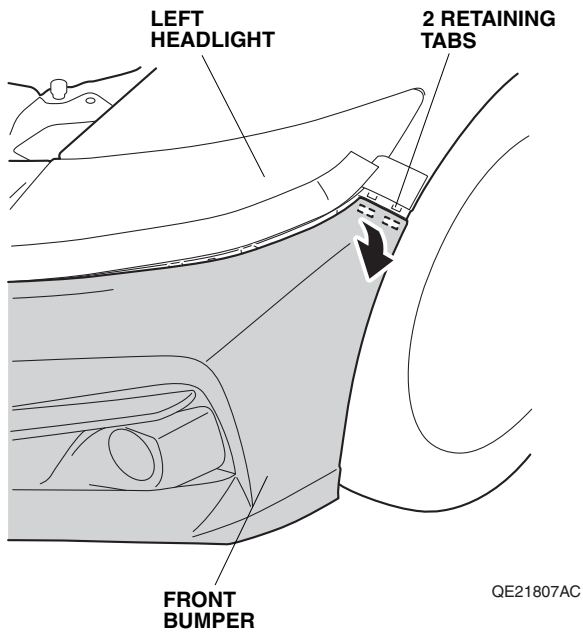
- Remove the front bumper molding.



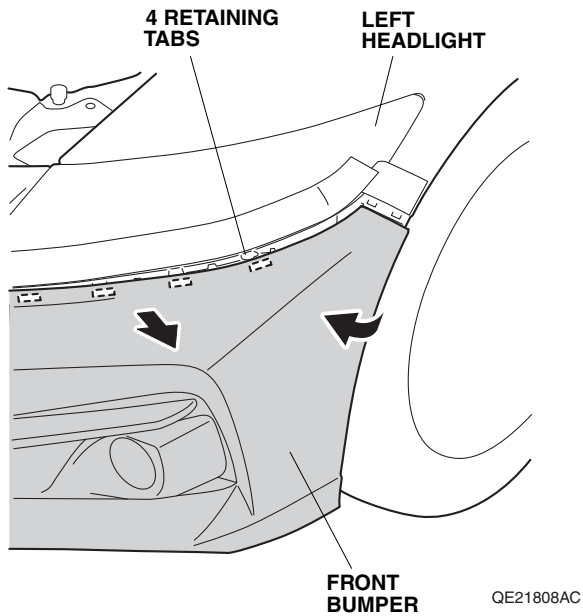
- Remove the four self-tapping screws, two washer-screws, and 11 clips.



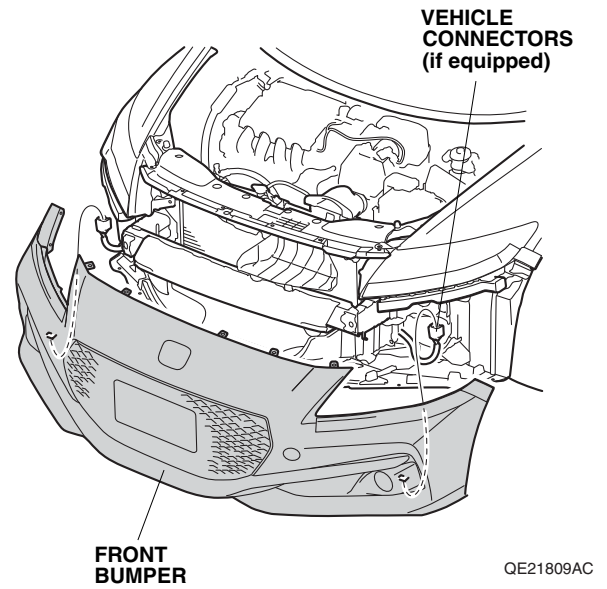
- With the help of an assistant, release the two retaining tabs on each side of the bumper.



- With the help of an assistant, release the four retaining tabs on each side of the bumper.



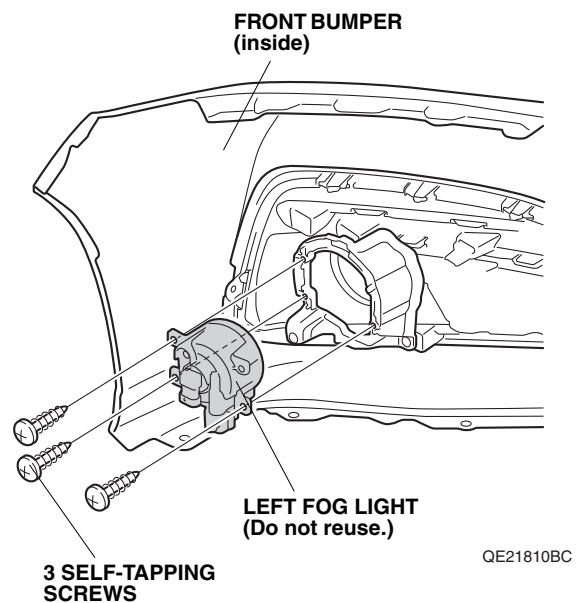
- With the help of an assistant, remove the front bumper. If the vehicle is equipped with fog lights, unplug the vehicle connectors.
- Place the front bumper on a blanket.



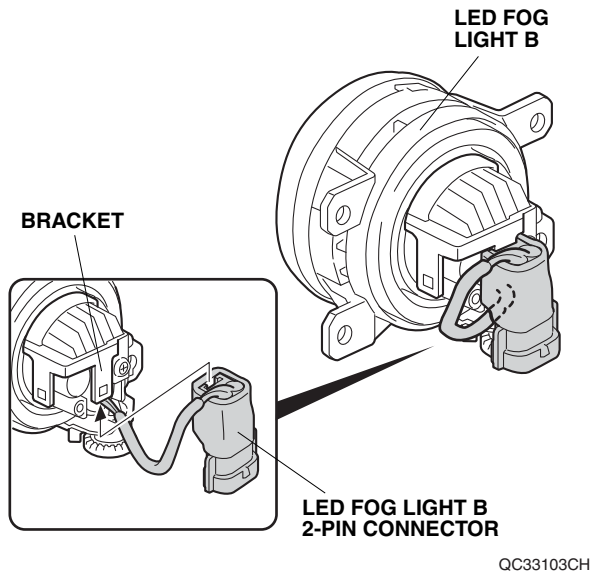
If the vehicle is equipped with fog lights, continue with step 4; otherwise, go to step 9.

#### With fog lights

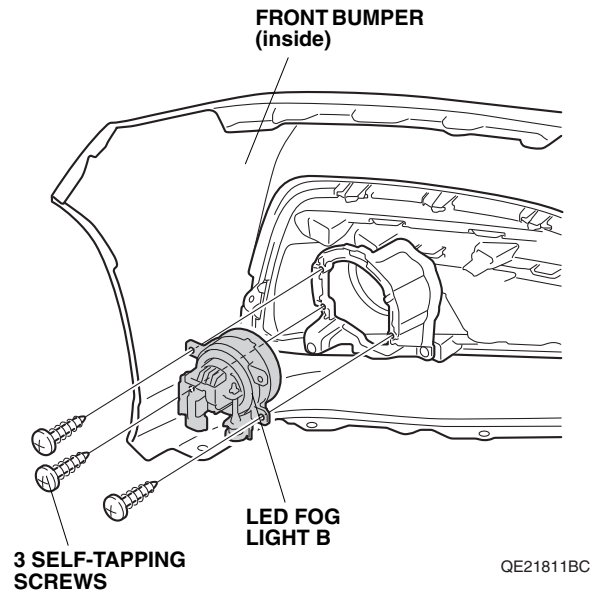
4. Remove the left fog light.



- Secure the LED fog light B 2-pin connector to the bracket.

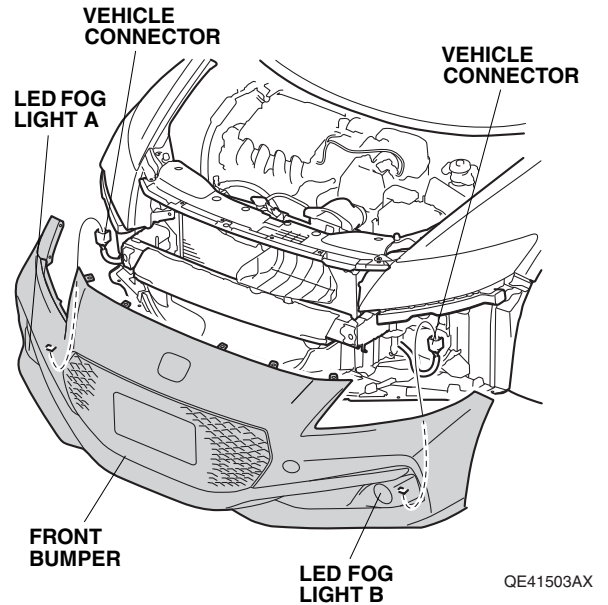


- Install the LED fog light B to the front bumper with the three self-tapping screws removed in step 4.



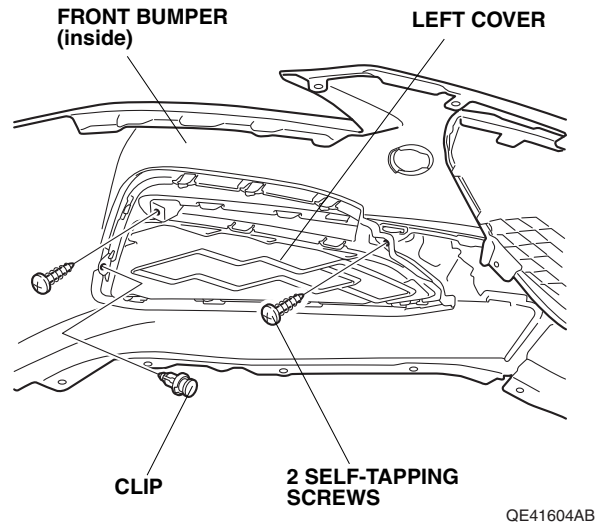
- Repeat steps 4 through 6 to install the LED fog light A to the right side of the front bumper.

- With the help of an assistant, bring the front bumper close to the vehicle. Plug the two vehicle connectors into the LED fog light A and LED fog light B, then install the front bumper. Go to step 61.

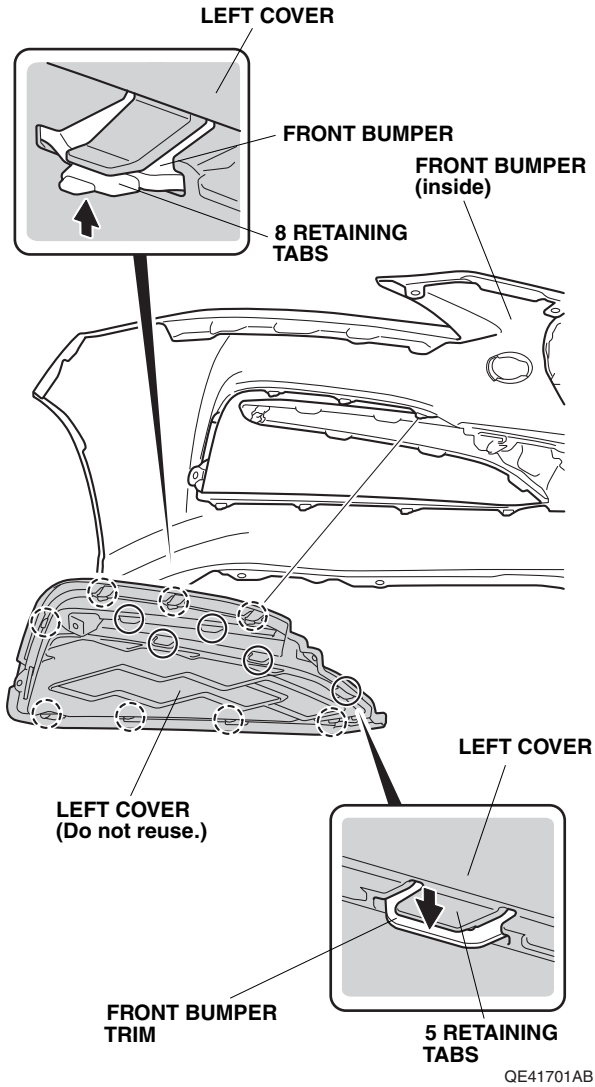


### Without fog lights

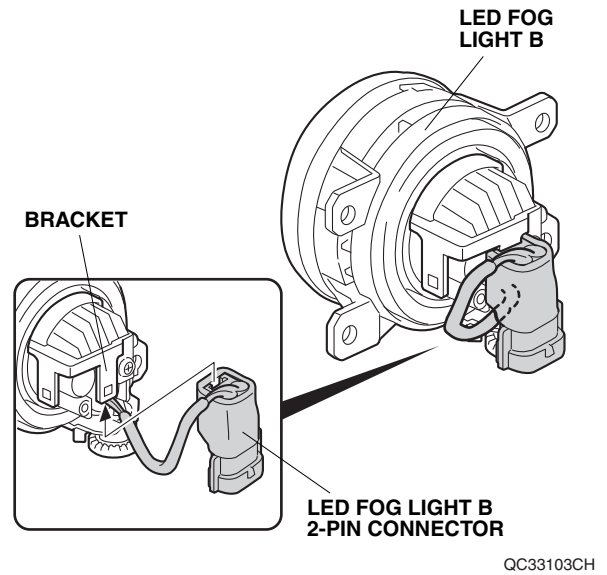
- Remove the clip and two self-tapping screws.



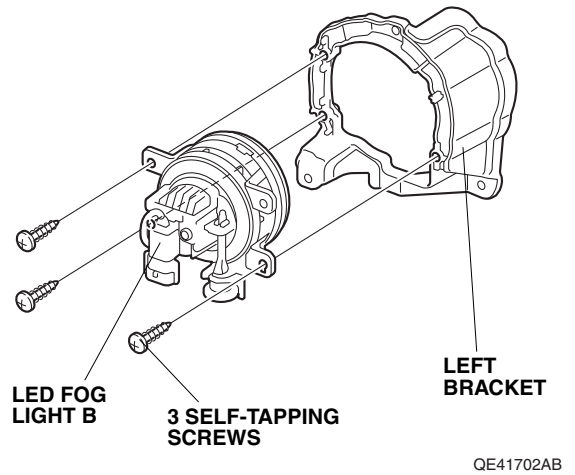
10. Remove the left cover from the front bumper.



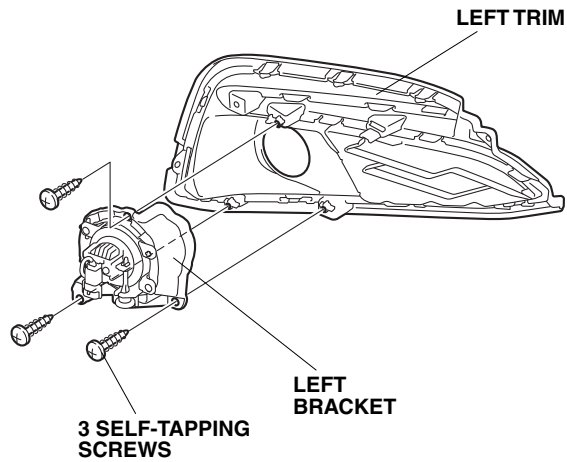
11. Secure the LED fog light B 2-pin connector to the bracket.



12. Install the LED fog light B to the left bracket with three self-tapping screws.

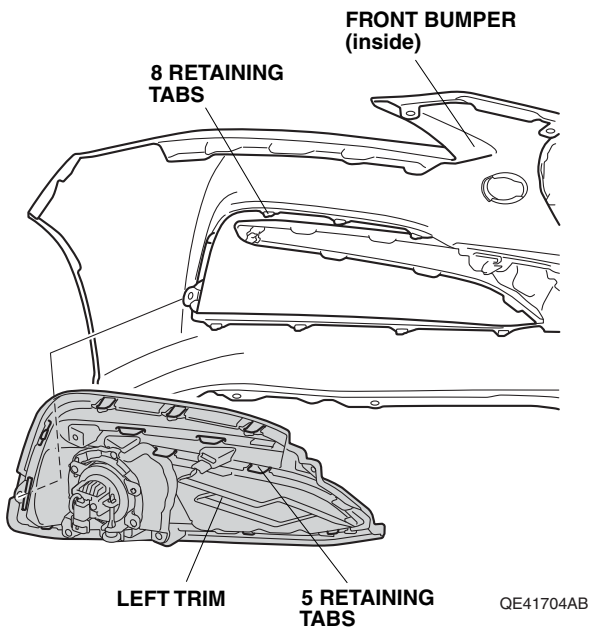


13. Install the left bracket to the left trim with three self-tapping screws.



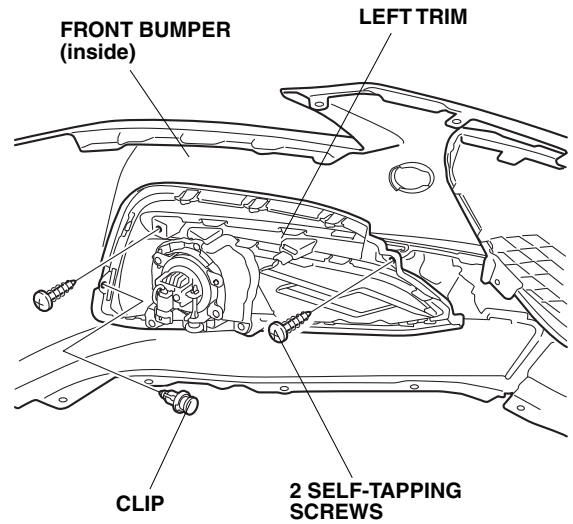
QE41703AB

14. Install the left trim to the front bumper with the 13 retaining tabs.



QE41704AB

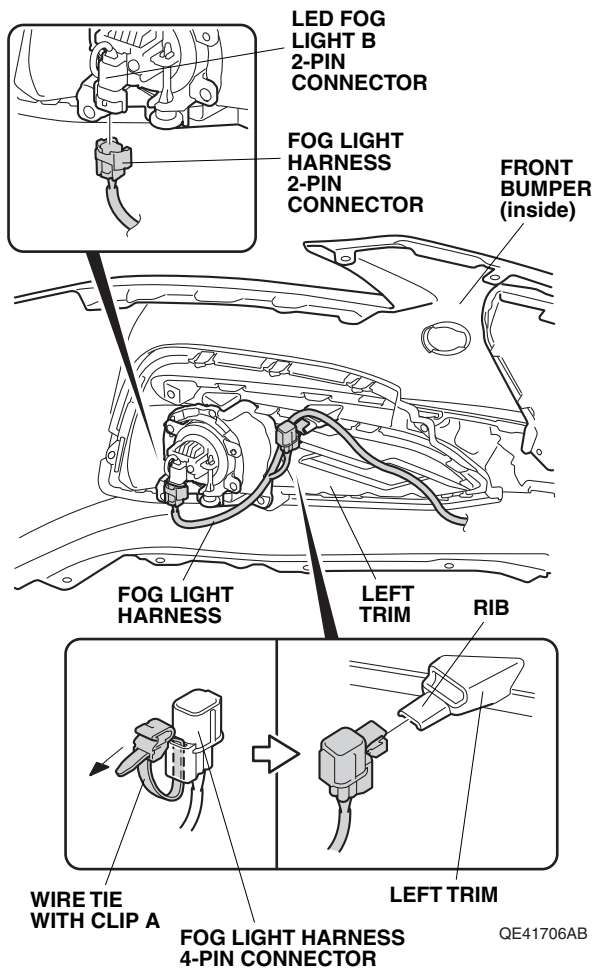
15. Secure the left trim to the front bumper with the clip and two self-tapping screws removed in step 9.



QE41705AB

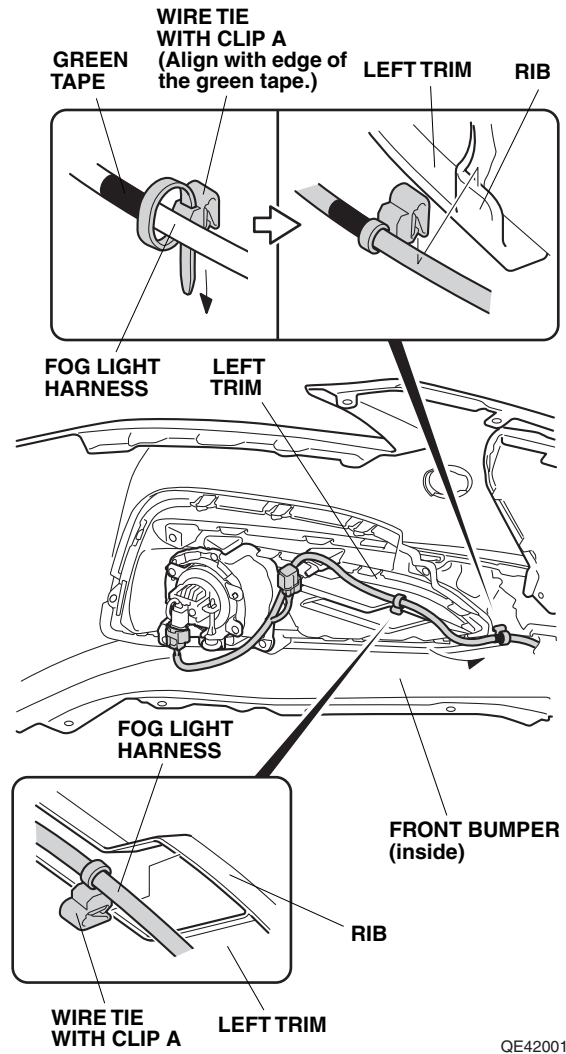
16. Repeat steps 9 through 15 to install the LED fog light A to the right side of the front bumper.

17. Plug the fog light harness 2-pin connector to the LED fog light B 2-pin connector.



18. Attach one wire tie with clip A to the fog light harness 4-pin connector and secure it to the rib on the left trim with attached wire tie with clip A as shown.

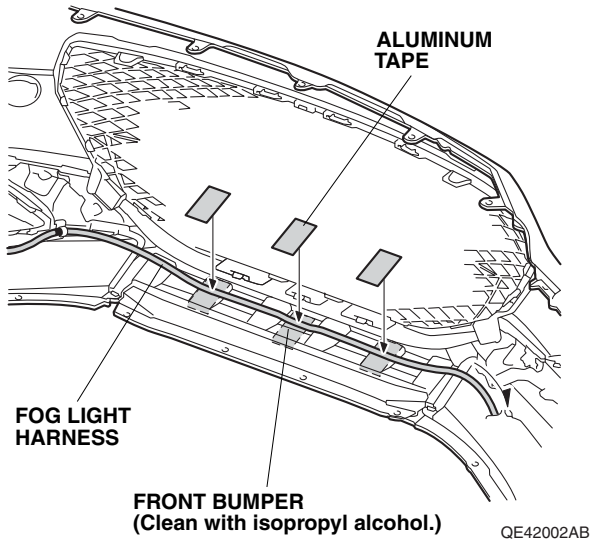
19. Align and attach one wire tie with clip A to the fog light harness as shown and secure the harness to the rib on the left trim with the attached wire tie with clip A.



20. Secure the fog light harness to the rib on the left trim with one wire tie with clip A.

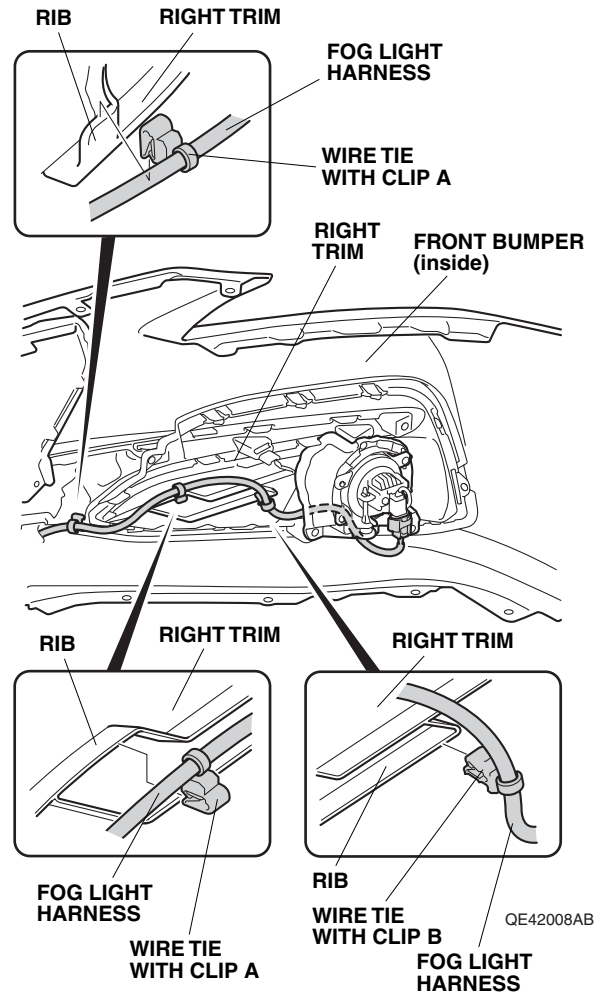


- Using isopropyl alcohol on a shop towel, thoroughly clean the front bumper where the aluminum tape will attach.

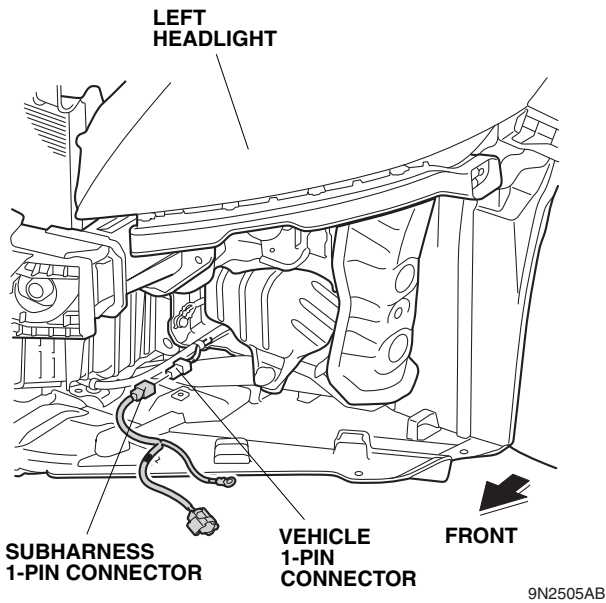


- Secure the fog light harness to the front bumper with three pieces of aluminum tape.
- Plug the fog light harness 2-pin connector into the LED fog light A 2-pin connector.

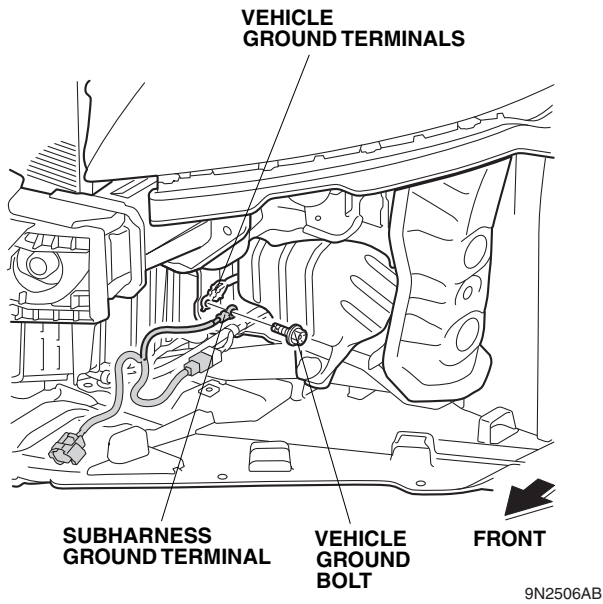
- Secure the fog light harness to the rib on the right trim with two wire ties with clip A and one wire tie with clip B.



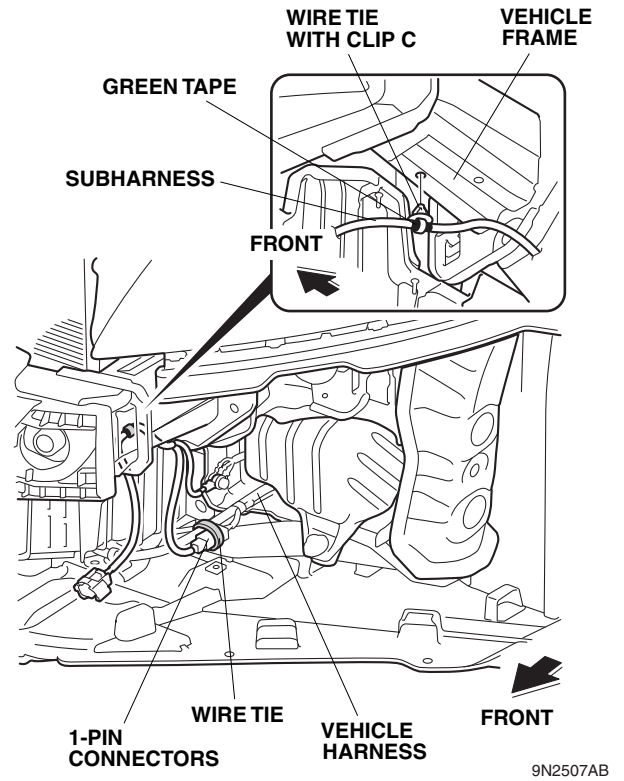
25. Plug the subharness 1-pin connector to the vehicle 1-pin connector below the left headlight.



26. Remove the vehicle ground bolt and secure the subharness ground terminal to the vehicle ground terminals. Do not put the ground terminal calkings on top of one another.

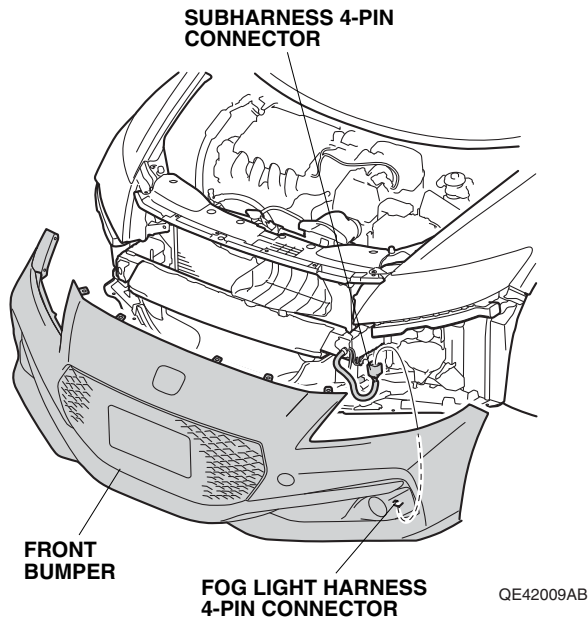


27. Align and attach one wire tie with clip C to the green tape on the subharness and secure the fog light harness to the vehicle frame with attached wire tie with clip C.

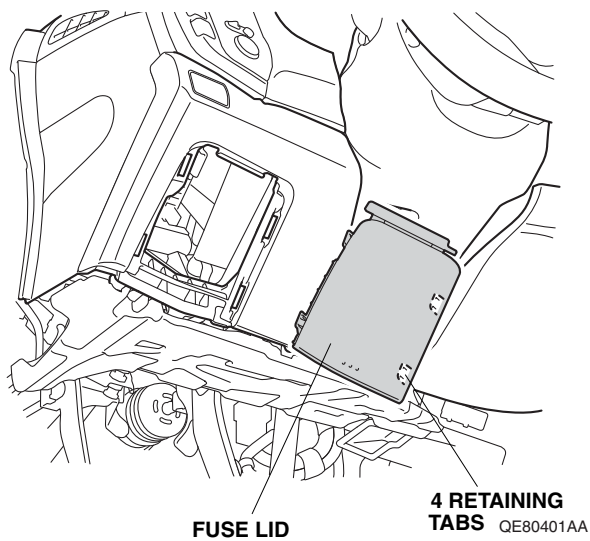


28. Secure the 1-pin connectors to the vehicle harness with one wire tie.

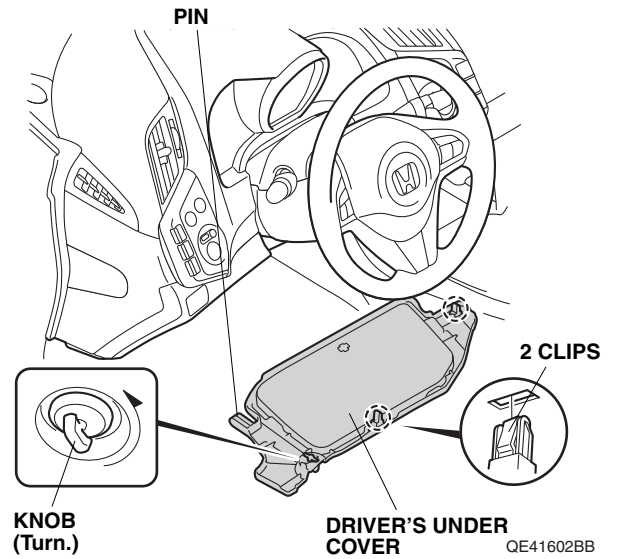
29. With the help of an assistant, bring the front bumper close to the vehicle. Plug the subharness 4-pin connector into the fog light harness 4-pin connector, then reinstall the front bumper.



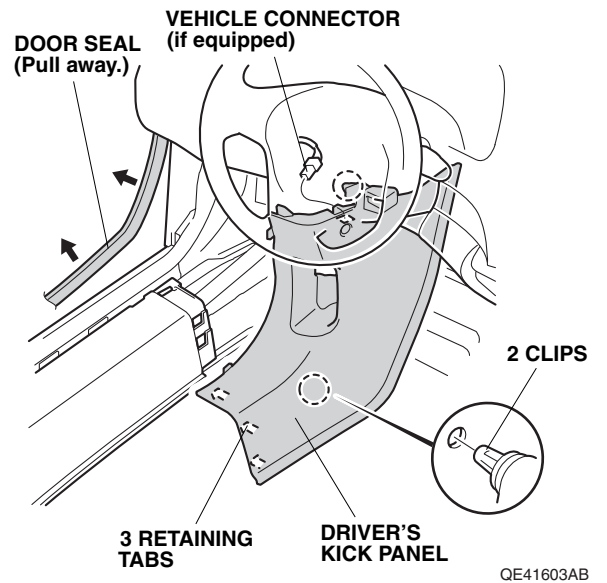
30. Remove the fuse lid.



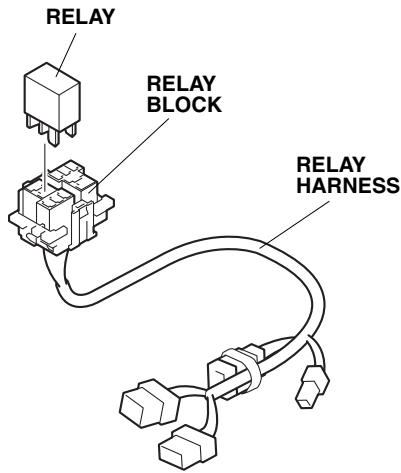
31. Remove the driver's under cover.



32. Pull away the door seal from around the driver's kick panel and remove the driver's kick panel. NOTE: If the vehicle is equipped with footwell lights, unplug the vehicle connector.

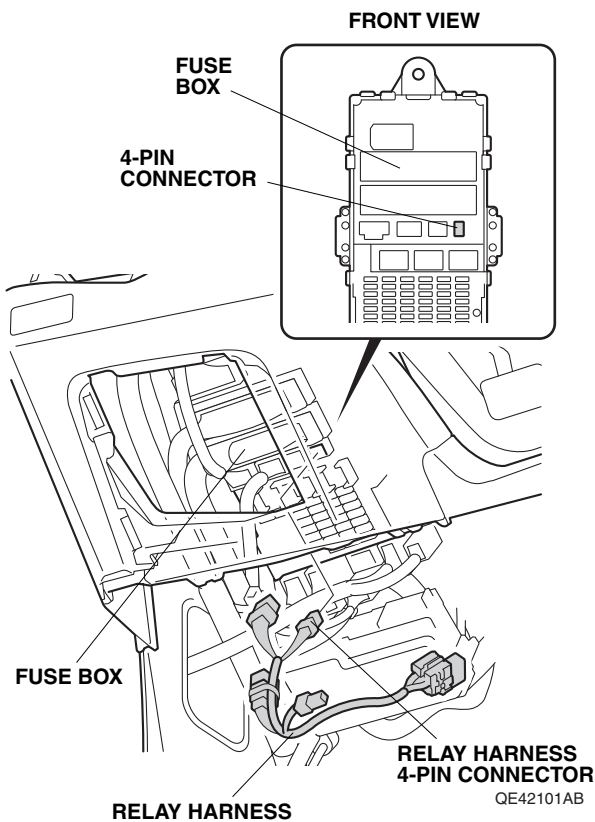


33. Plug the relay into the relay block on the relay harness.



QE42010AB

34. Plug the relay harness 4-pin connector into the fuse box 4-pin connector.

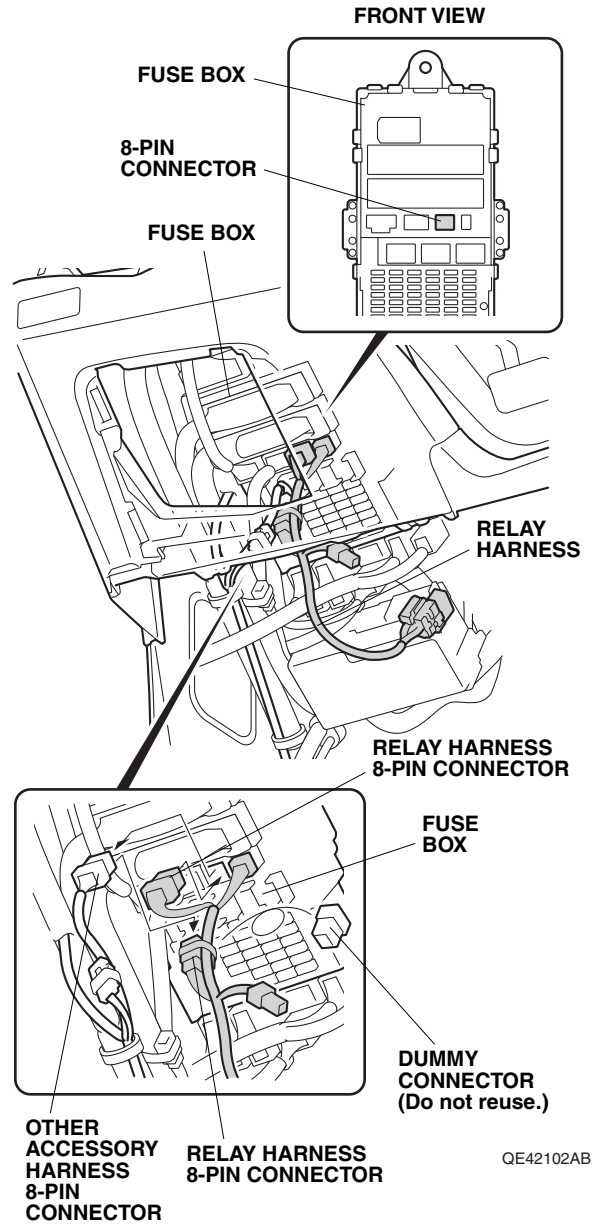


QE42101AB

If the vehicle is already equipped with an accessory harness 8-pin connector, continue with step 35; otherwise, go to step 37.

**With other accessory harness 8-pin connector**

35. Unplug the other accessory harness 8-pin connector from the fuse box and plug the relay harness 8-pin connector into the fuse box 8-pin connector.

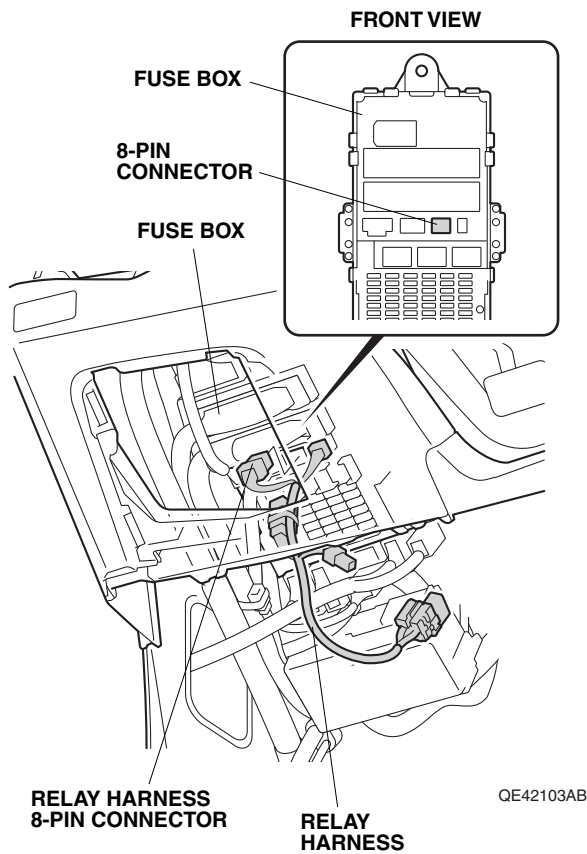


QE42102AB

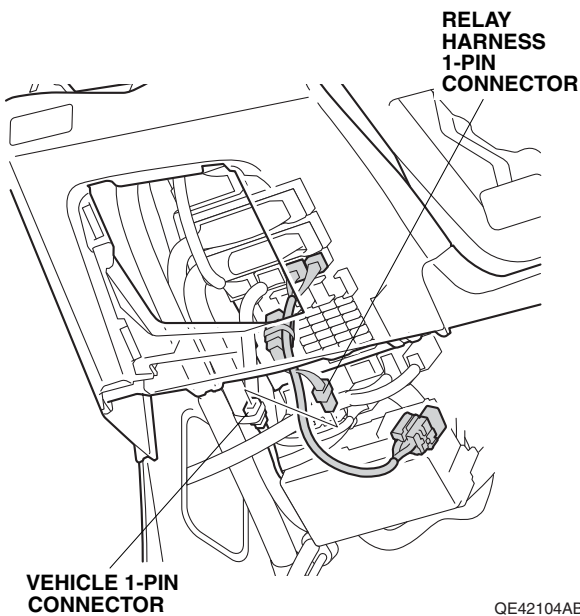
36. Remove the dummy connector from the relay harness 8-pin connector. Plug the other accessory harness 8-pin connector into the relay harness 8-pin connector. Go to step 38.

**Without other accessory harness 8-pin connector**

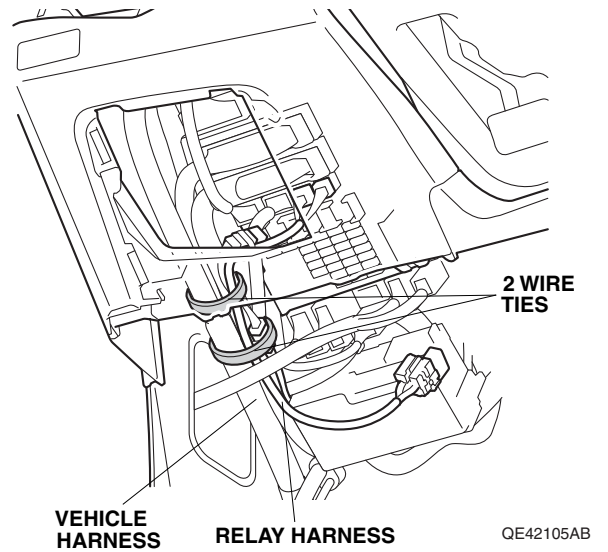
37. Plug the relay harness 8-pin connector into the fuse box 8-pin connector.



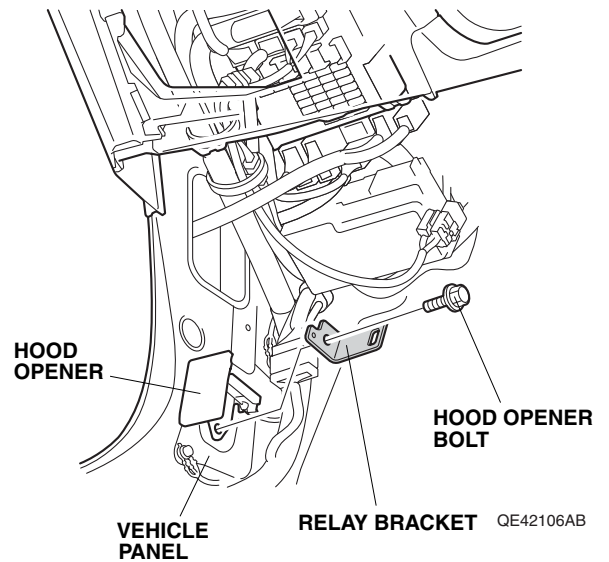
38. Plug the relay harness 1-pin connector into the vehicle 1-pin connector.



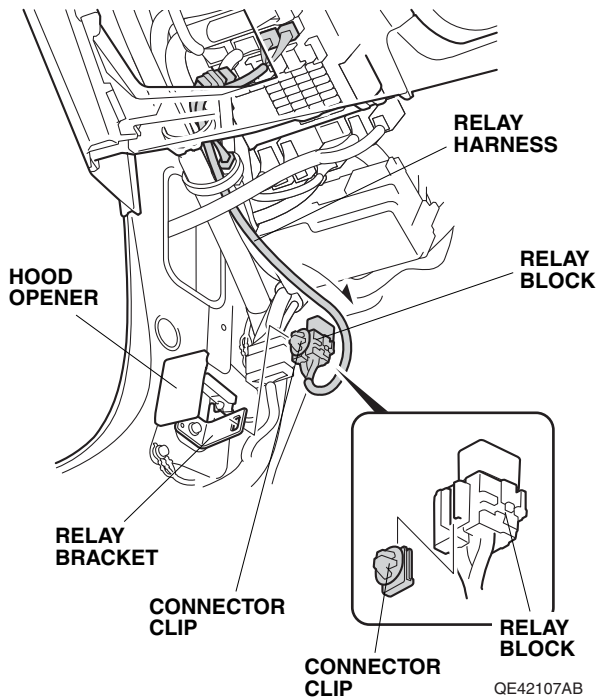
39. Secure the relay harness to the vehicle harness with two wire ties.



40. Remove the hood opener bolt and secure the relay bracket to the vehicle panel with the hood opener bolt.

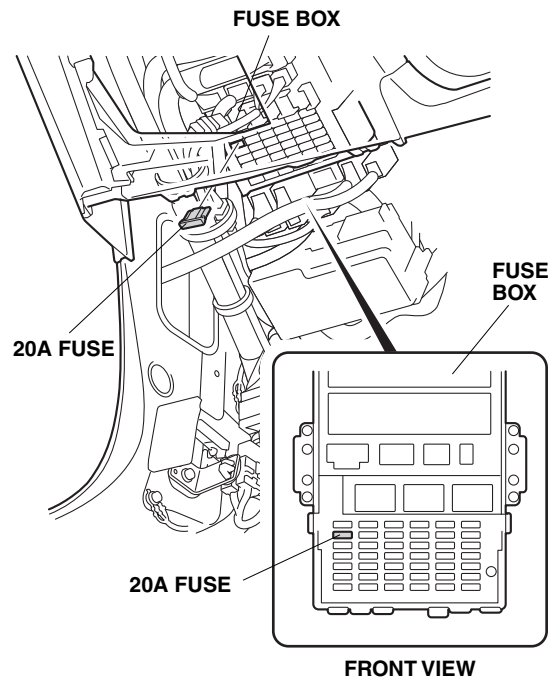


41. Attach the connector clip to the relay block on the relay harness.

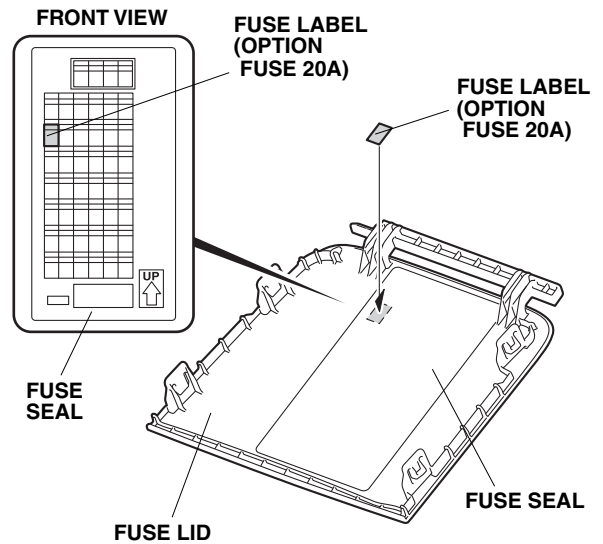


42. Secure the relay block on the relay harness to the relay bracket with the attached connector clip.

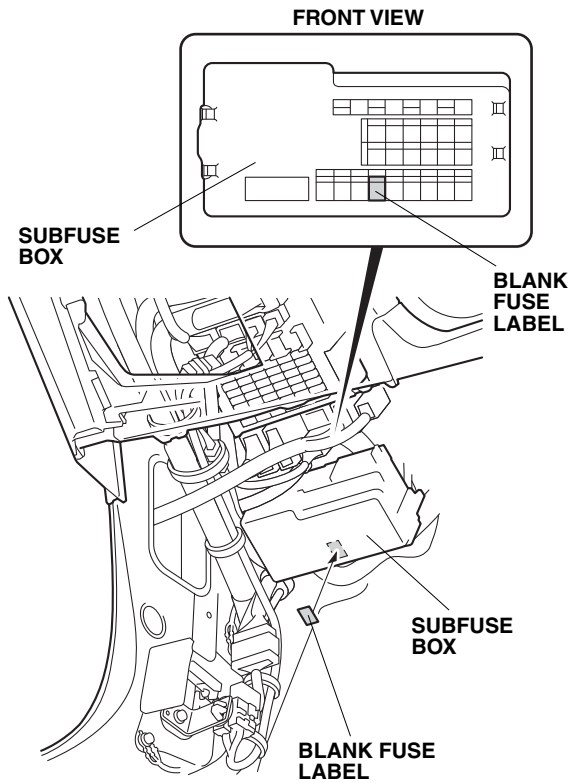
43. If a fuse is already installed in the fuse box, go to step 44; otherwise, plug the 20A fuse into the fuse box.



44. If an option fuse 20A label is already attached to the fuse seal, go to step 45. Otherwise, use isopropyl alcohol on a shop towel and thoroughly clean the area where the fuse label will attach. Attach the fuse label to the fuse seal on the fuse lid.



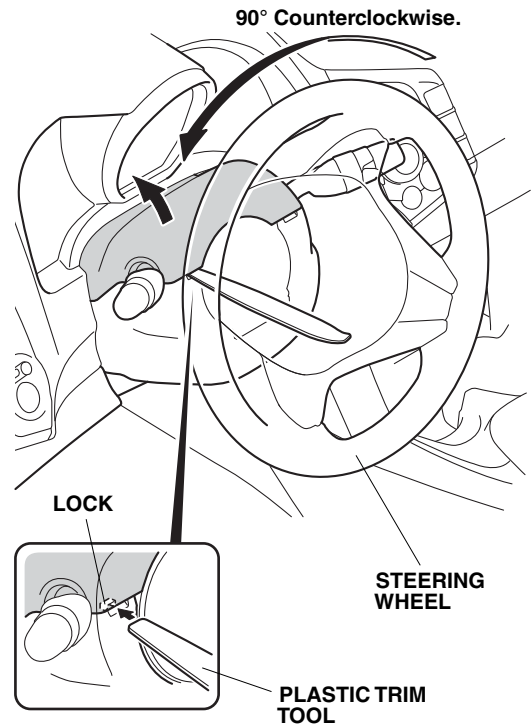
45. Using isopropyl alcohol on a shop towel, thoroughly clean the subfuse box where the blank fuse label will attach. Attach the blank fuse label to the subfuse box.



QE42111AB

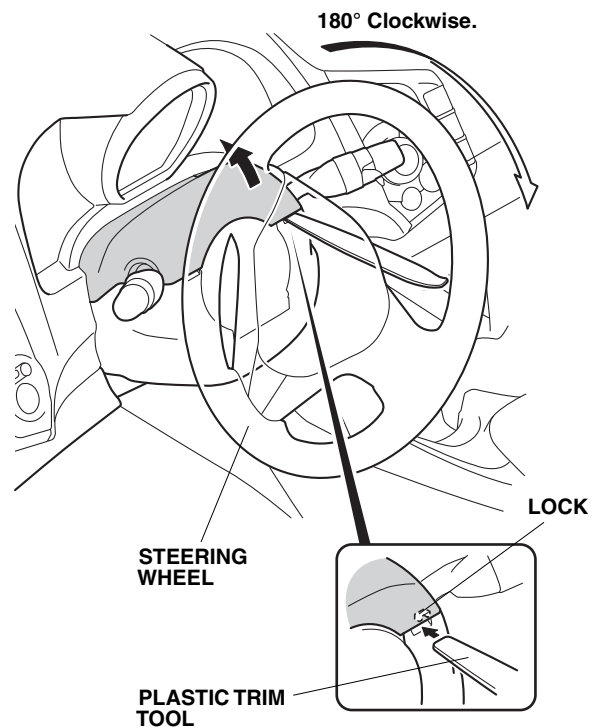
46. Connect the negative cable to the battery.  
47. Turn on the ignition.

48. Turn the steering wheel 90° counterclockwise. Using a plastic trim tool, release the lock as shown.



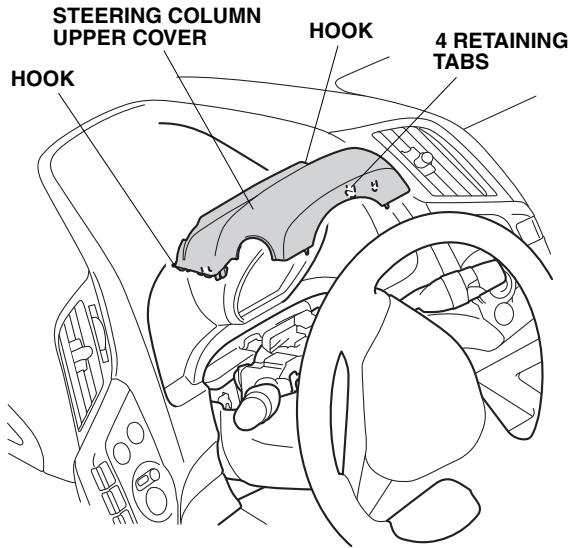
QE80402AA

49. Turn the steering wheel 180° clockwise. Using a plastic trim tool, release the lock as shown.



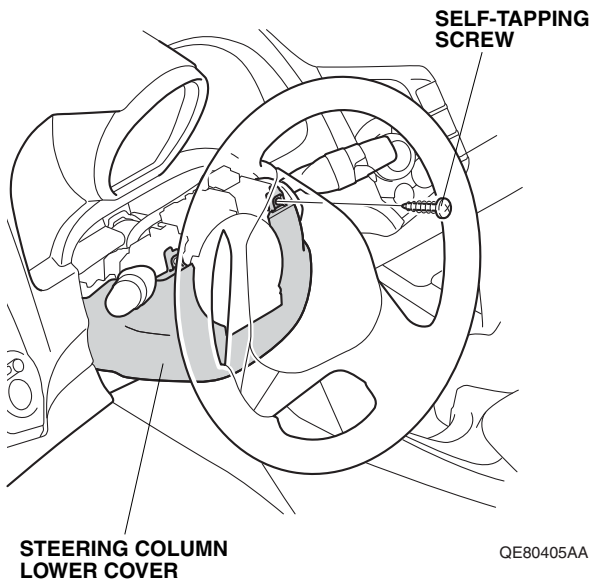
QE80403AA

50. Remove the steering column upper cover.



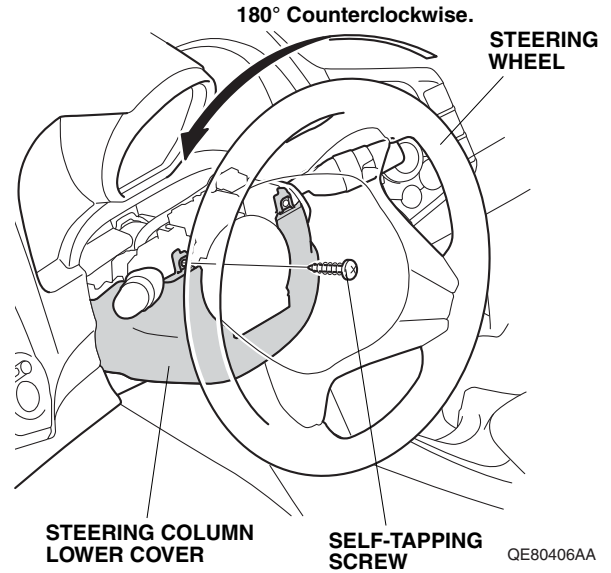
QE80404AA

51. Remove the self-tapping screw from the steering column lower cover.



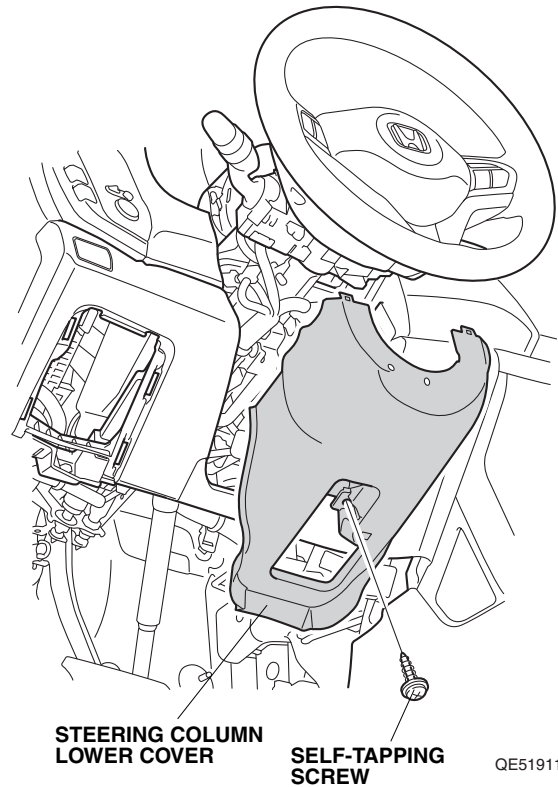
QE80405AA

52. Turn the steering wheel 180° counterclockwise and remove the self-tapping screw from the steering column lower cover.



QE80406AA

53. Remove the self-tapping screw from the steering column lower cover.

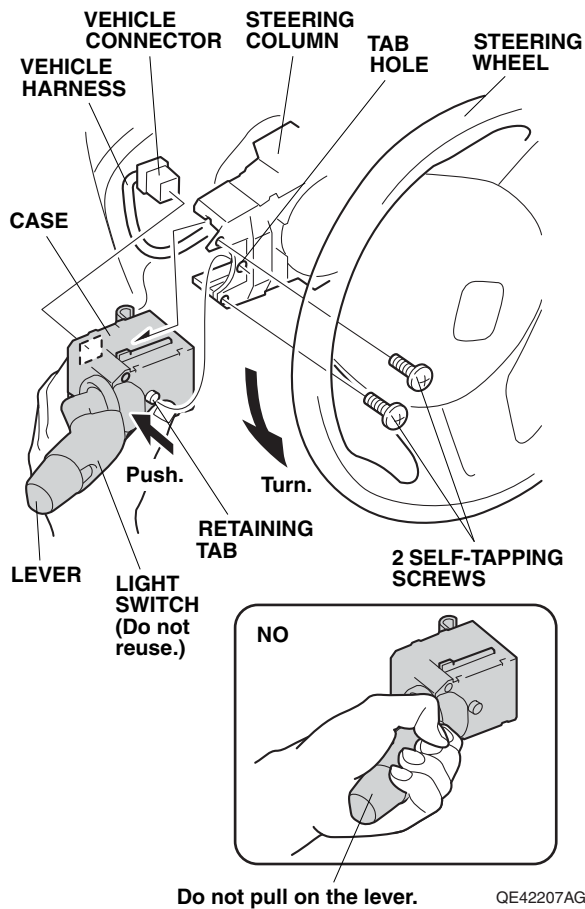


QE51911AB

54. Remove the steering column lower cover.  
 55. Turn the ignition off.  
 NOTE: The steering wheel should still be in the 90° counterclockwise position.

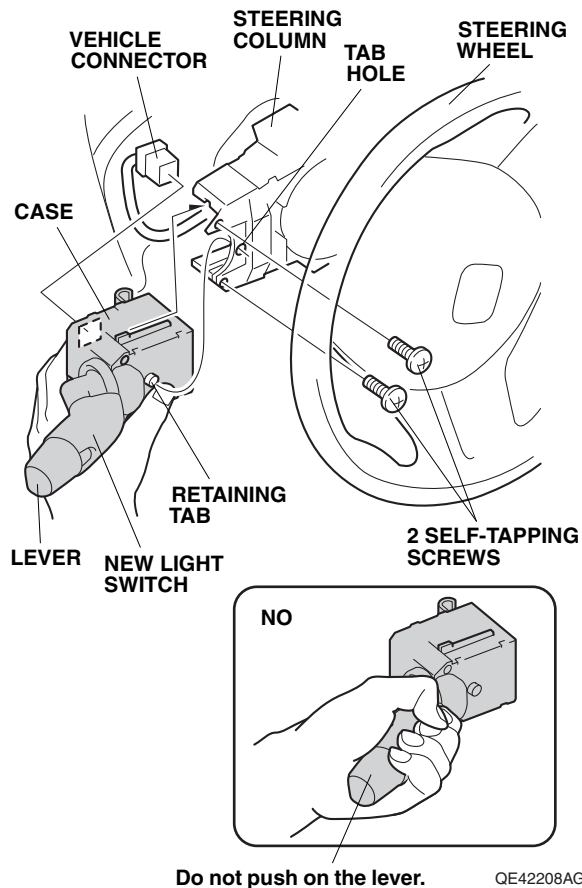


56. Disconnect the negative cable from the battery.
57. Unplug the vehicle connector from the light switch.




58. Remove the two self-tapping screws from the light switch. While pushing the case, slide the light switch case and remove it from the steering column. Do not pull on the lever when removing the case. Do not damage the tab hole on the steering column.

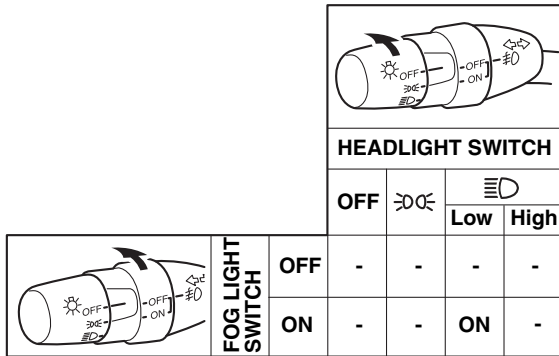
59. Install the new light switch to the steering column with the two self-tapping screws removed in step 58. Do not push on the lever when installing the case. Push in on the case and set the retaining tab into the tab hole.



60. Plug the vehicle connector into the new light switch. Make sure the vehicle harness is not being stretched.
61. Install all removed parts.
62. Connect the negative cable to the battery.
63. Check that all wire harnesses are routed properly and all connectors are plugged in.
64. Press and hold the audio unit power button for 2 seconds to restore the audio and navi (if equipped) system functions.
65. Set the clock (on vehicles without navigation).
66. If the IMA battery charge level indicator is at zero, start the engine and hold it between 3,500 and 4,000 rpm (without load) in Park or Neutral until the IMA battery charge level indicator is at least half charged level.

## Check the Operation of the Fog Lights

- Turn the headlight switch to the “D” position (headlights on low beam).
- Turn on the fog light switch (indicator is on).
- If the fog lights do not turn on, check the fuse and all the connectors, including the ground cable.

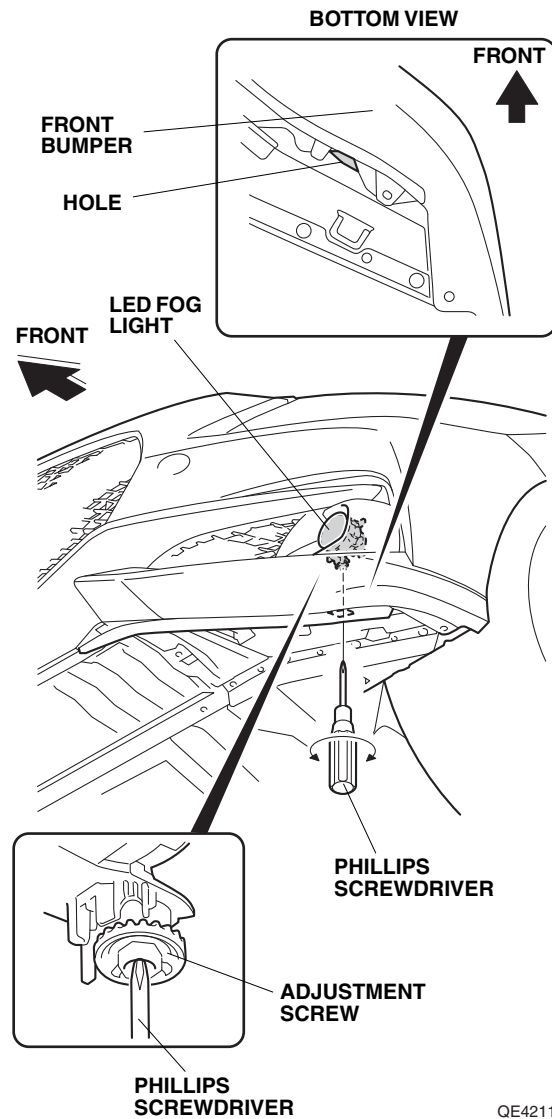


053101AB

NOTE: The fog light lenses may cloud when the outside temperature is cold; this is normal and should go away in warm weather.

## How to Aim the Fog Lights

67. Adjust the LED fog light aim by turning the adjustment screw in or out until the correct aim is obtained. Adjust the aim according to local laws and regulations.



QE42112AB

## LED REPLACEMENT

NOTE: The fog light (LED) is a part of the fog light assembly it cannot be replaced by itself.