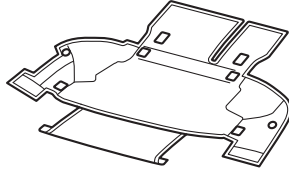


PARTS LIST

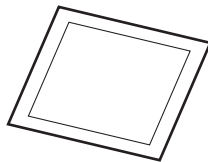
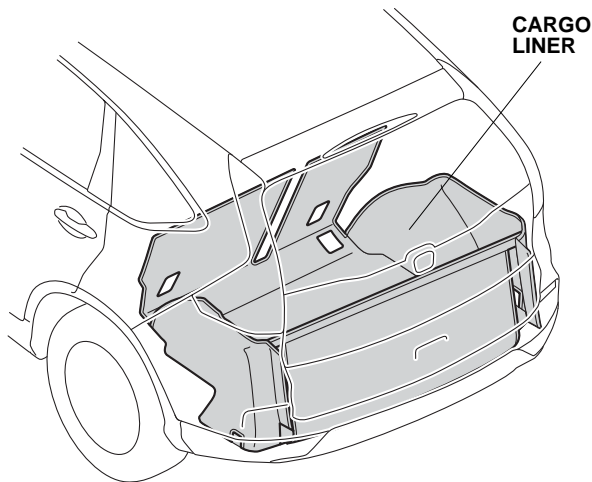
Cargo liner



32 Fastener pads



4 Alcohol swabs

**Illustration of the Cargo Liner in the Vehicle**

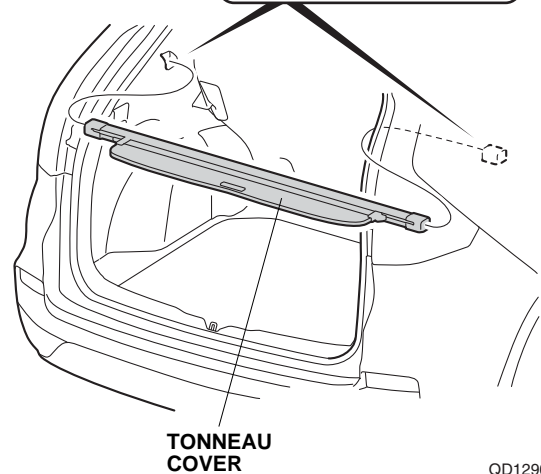
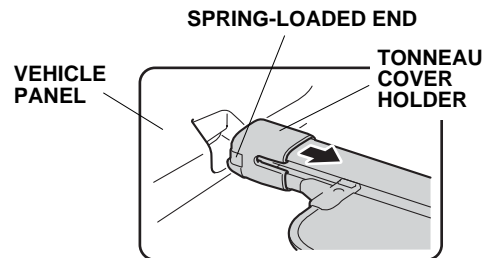
QD32101BA

INSTALLATION

Customer Information: The information in this installation instruction is intended for use only by skilled technicians who have the proper tools, equipment, and training to correctly and safely add equipment to your vehicle. These procedures should not be attempted by “do-it-yourselfers.”

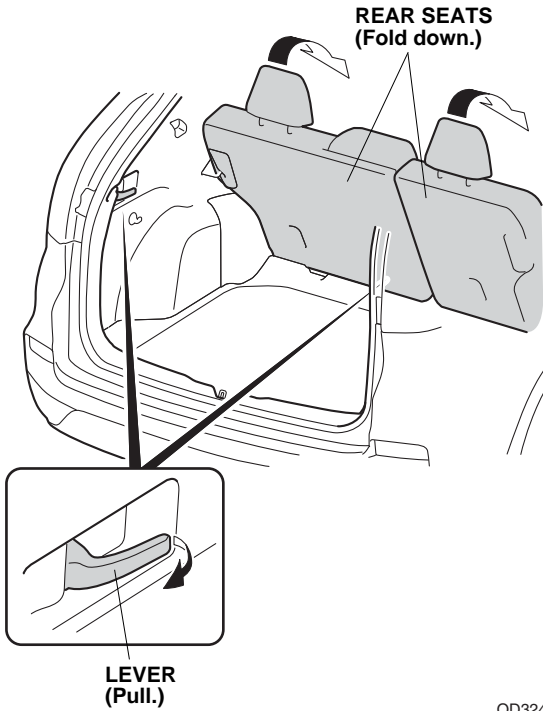
NOTE: This kit should be installed only if the ambient air temperature is 15°C (60°F) or above. Warm up the surface of the vehicle body where the accessory will be attached to 15°C ~ 40°C when the temperature is low, especially in winter. Bonding performance of the double-sided adhesive tape could be reduced at low temperature.

1. If equipped, remove the tonneau cover (compress the spring-loaded end, and remove).

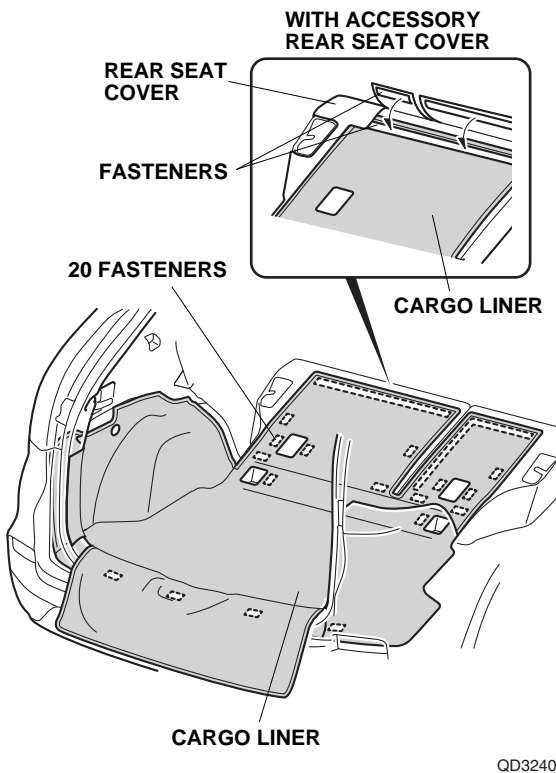


QD12901AY

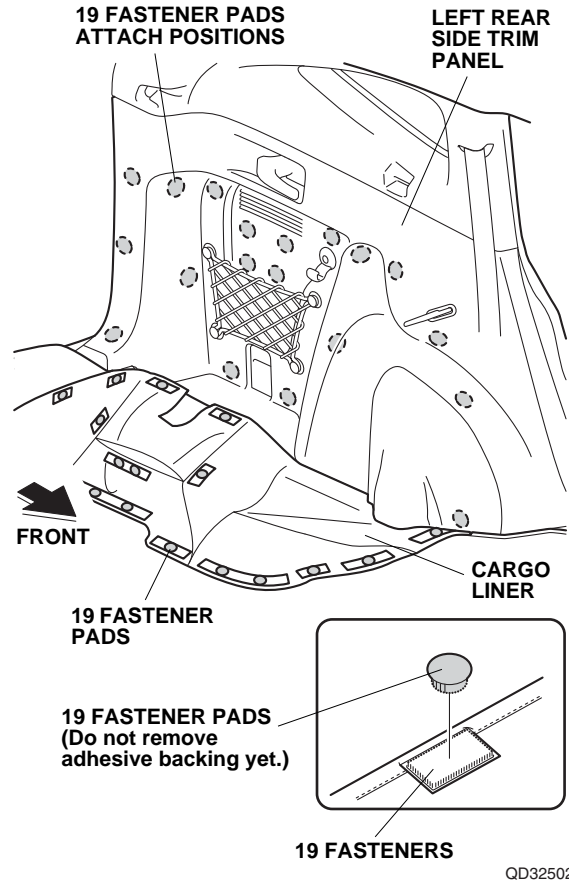
2. Pull the lever, and fold down each rear seats.



3. Spread the cargo liner on the cargo area. Secure the cargo liner to the cargo floor and each rear seat back with twenty fasteners. If the vehicle is equipped with the accessory rear seat cover, install the cargo liner to the rear seat back first, then secure the rear seat cover to the fasteners on the cargo liner.

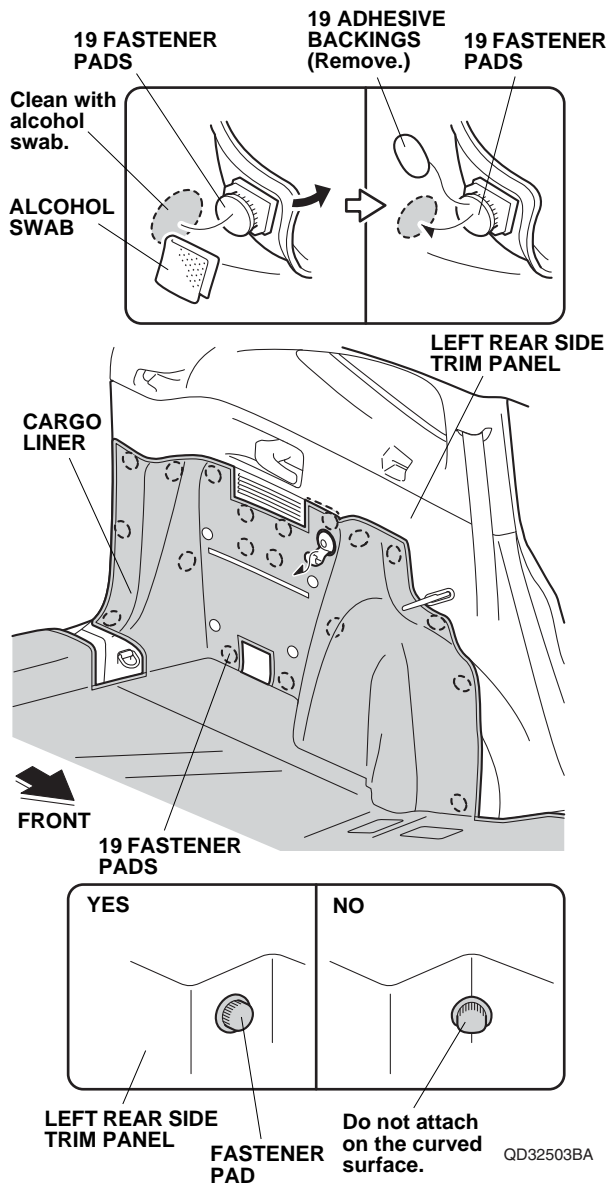


4. Position the cargo liner on the left rear side trim panel, and locate the positions where the fastener pads will attach.



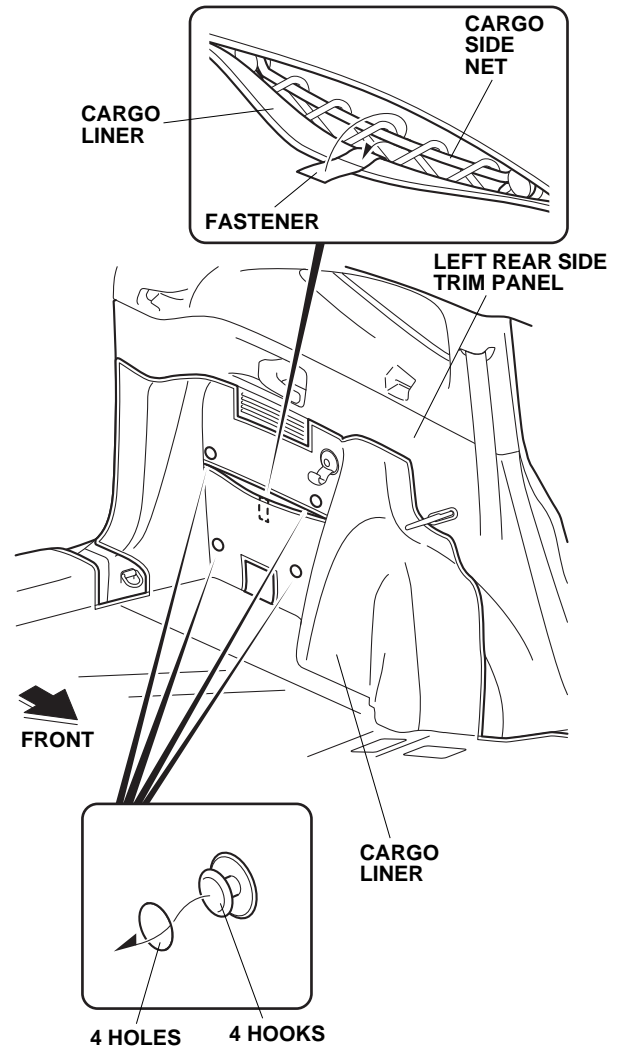
5. Attach the nineteen fastener pads to the fasteners on the left side of the cargo liner.

- Using an alcohol swab, thoroughly clean the areas where the fastener pads will attach.



- Remove the adhesive backing from each fastener pads, and attach them to the left rear side trim panel. Using your fingers, firmly press each fastener pads against the left rear side trim panel over the left cargo liner.
NOTE: Do not attach the fastener pad on the curved surface.

- Secure the cargo liner to the cargo side net with one fastener as shown.

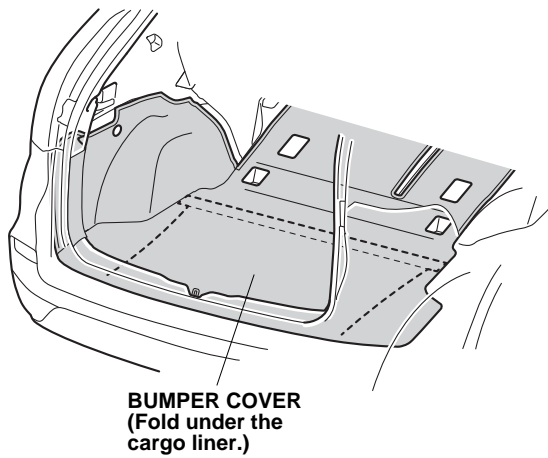
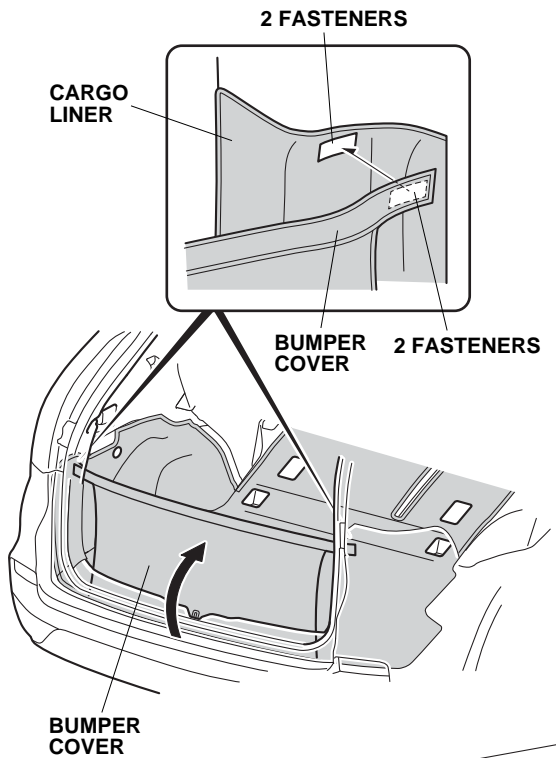


QD72201AX

- Secure the cargo liner to the four hooks on the left rear side trim panel.
- Repeat steps 4 through 7 to install the right side of cargo liner on the right rear side trim panel with thirteen fastener pads.

USE AND CARE

- To store the bumper cover, secure the two fasteners on the bumper cover to the left and right side of the cargo liner, or fold it under the cargo liner.



QD72202AX