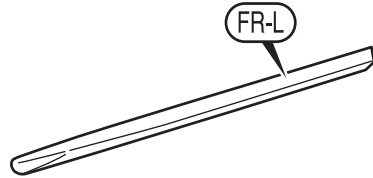
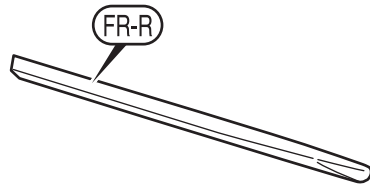


PARTS LIST

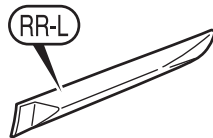
Left front body side molding (marked FR-L)



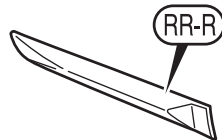
Right front body side molding (marked FR-R)



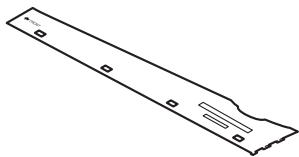
Left rear body side molding (marked RR-L)



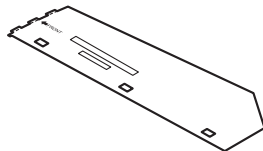
Right rear body side molding (marked RR-R)



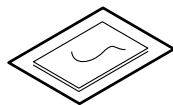
Front template



Rear template



4 Alcohol wipes

**TOOLS AND SUPPLIES REQUIRED**

Masking tape

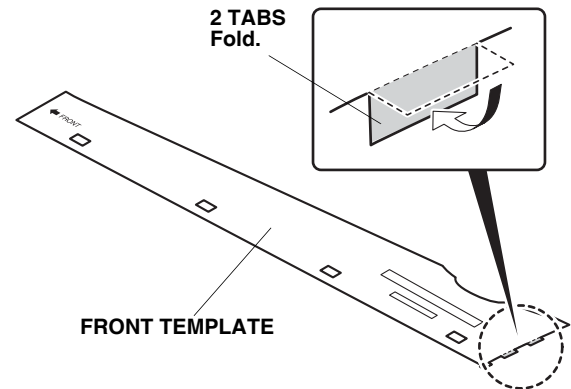
Scale

Rubber roller tool (T/N EQSE54D)

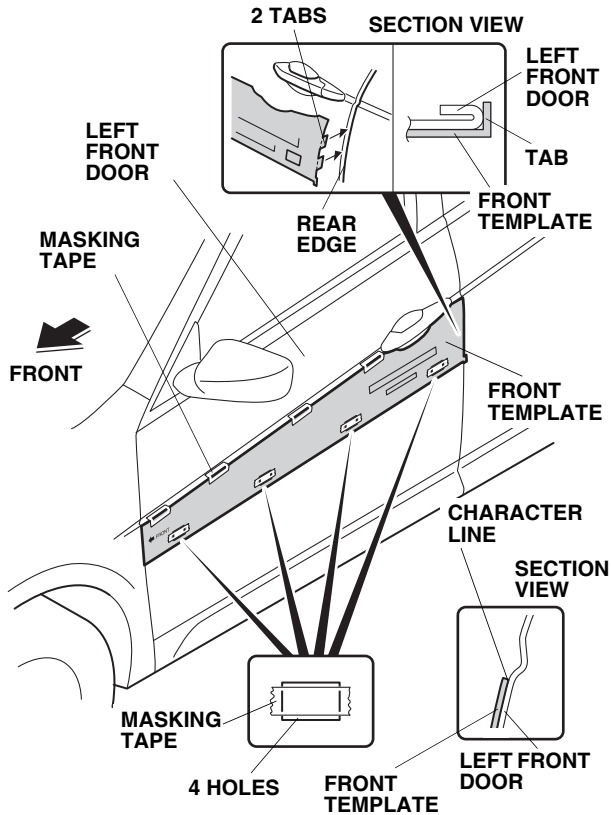
INSTALLATION**NOTE:**

- If you are also installing door edge films (sold separately), install them before you install the body side moldings.
- These installation instructions show the left body side moldings being installed. The same procedure applies to the right body side moldings.
- Be careful not to damage the paint finish.
- This body side moldings kit should be installed only if the ambient air temperature is 15°C (60°F) or above.
- To allow the adhesive to cure, do not wash the vehicle for 24 hours. Please advise the customer.

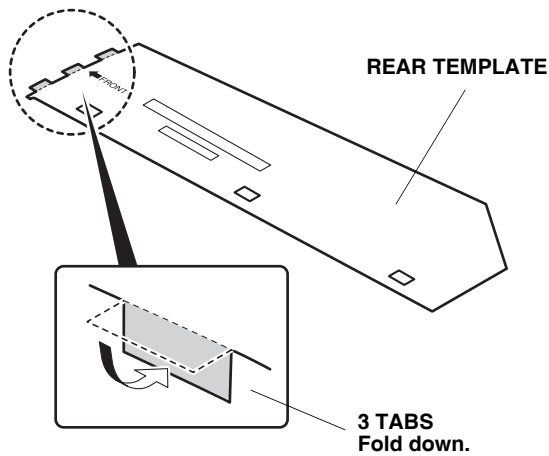
1. Fold down the two tabs on the front template.



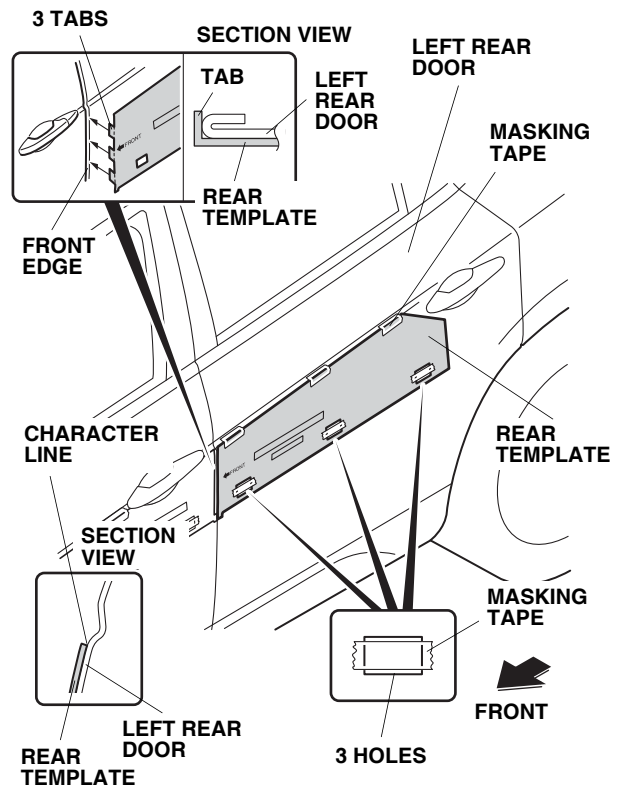
2. Insert the two tabs on the front template around the rear edge of the left front door.



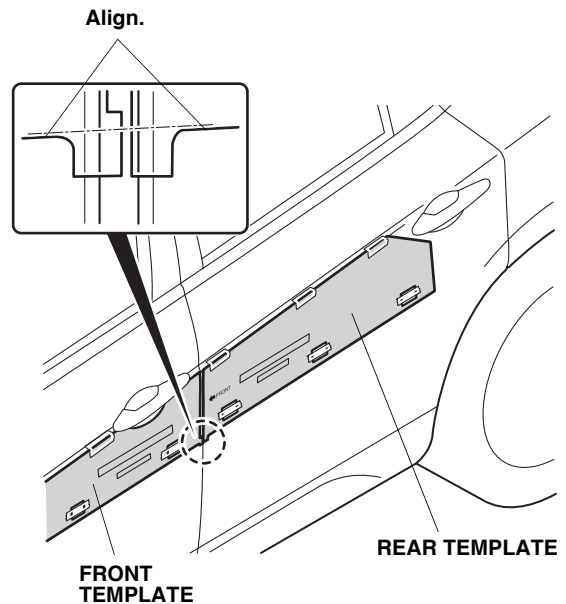
3. Align the front template with the character line on the left front door, and attach the front template to the left front door using strips of masking tape.
4. Fold down the three tabs on the rear template.



5. Insert the three tabs on the rear template around the front edge of the left rear door.

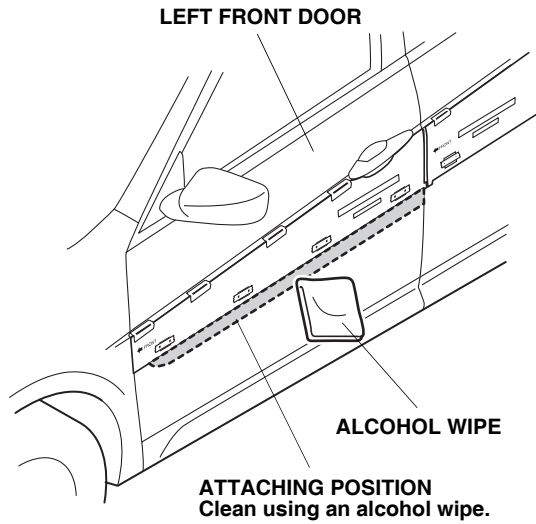


6. Align the rear template with the character line on the left rear door, and attach the rear template to the left rear door using strips of masking tape.
NOTE: Be sure that the bottom edges of the front and rear templates are aligned.

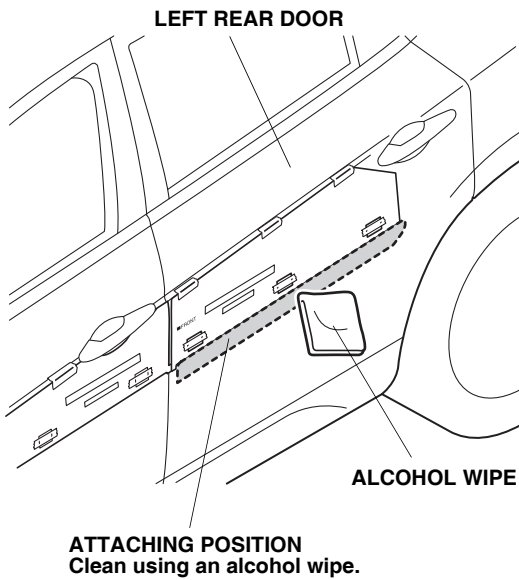


- Using two alcohol wipes, clean the door surfaces below the templates where the body side moldings will attach. Allow the alcohol to dry.

Left Front Body Side Molding

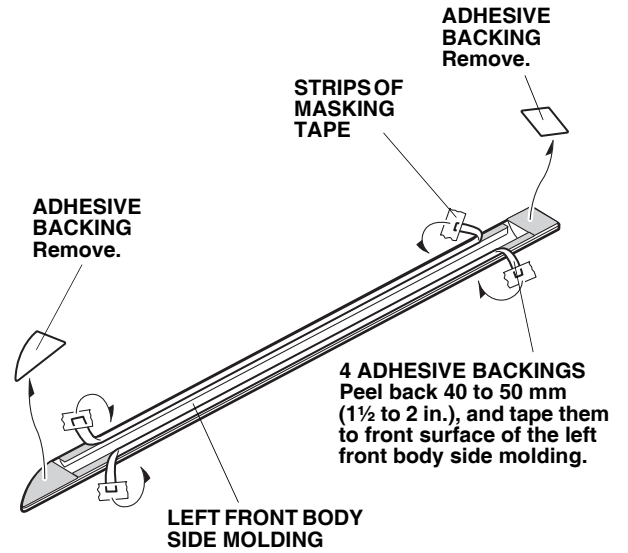


Left Rear Body Side Molding

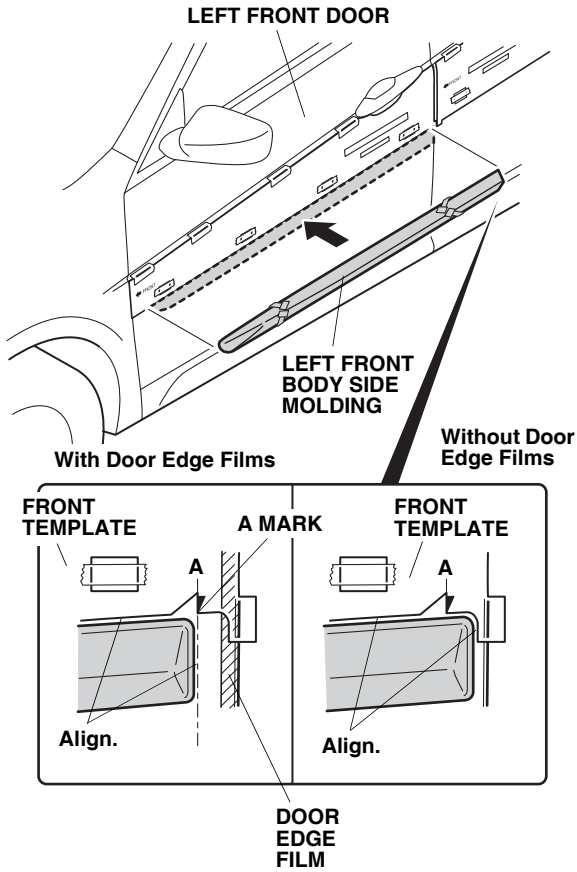


Installing the Left Front Body Side Molding

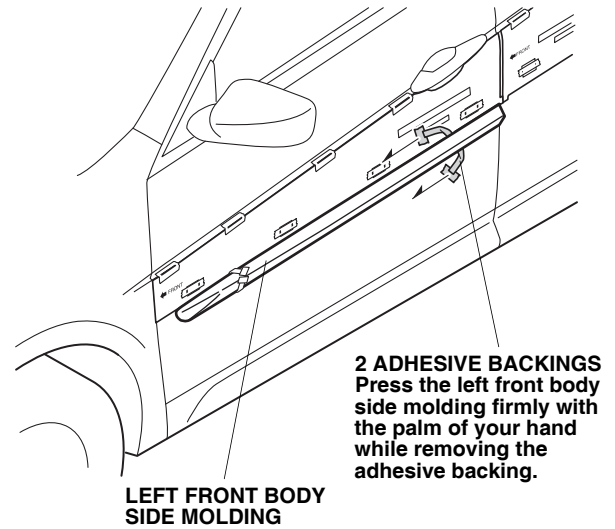
- Peel back about 40 to 50 mm (1½ to 2 in.) of adhesive backing from each adhesive tape, and tape the ends to the front surface of the left front body side molding. Remove the other adhesive backings.



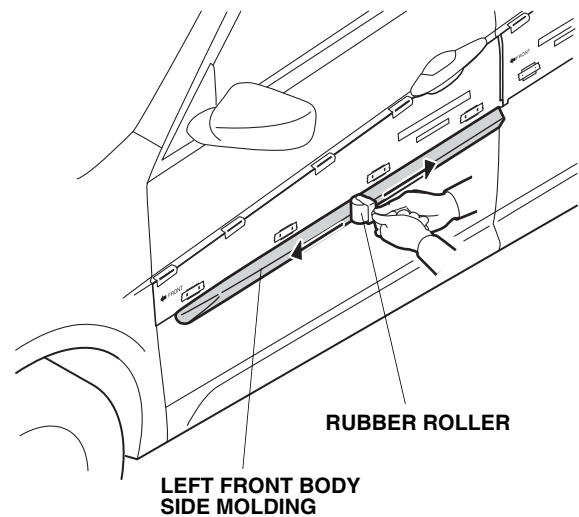
9. Align the edges of the left front body side molding with the edges of the front template, and install the left front body side molding on the left front door.
- NOTE:** If the vehicle is equipped with door edge films, align the left front body side molding with the A mark and the edge of the front template.



10. Press the left front body side molding firmly with the palm of your hand and remove the adhesive backing 50 to 100 mm (2 to 4 in.) at a time.

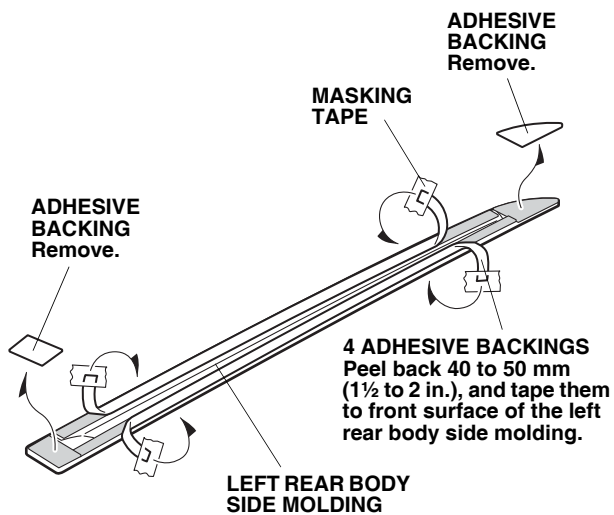


11. Using the rubber roller, apply firm pressure, especially at the ends, while rolling to set the adhesive.

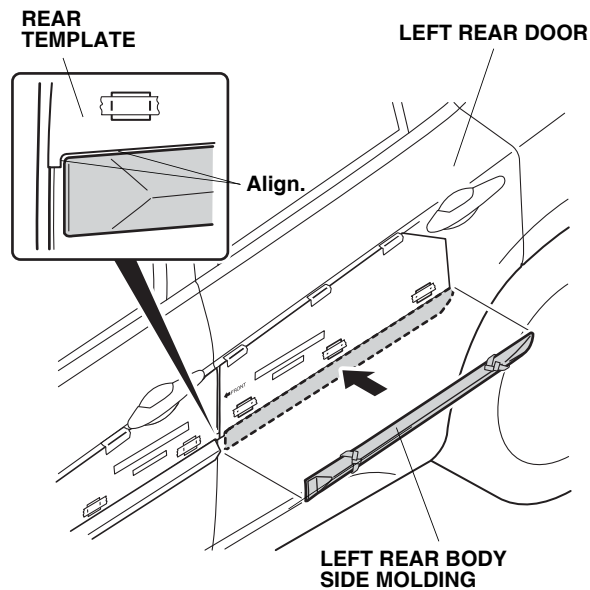


Installing the Left Rear Body Side Molding

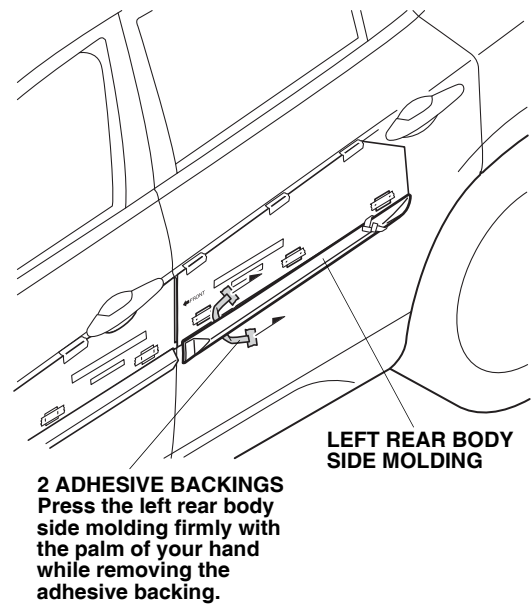
12. Peel back about 40 to 50 mm (1½ to 2 in.) of adhesive backing from each adhesive tape, and tape the ends to the front surface of the left rear body side molding. Remove the other adhesive backings.



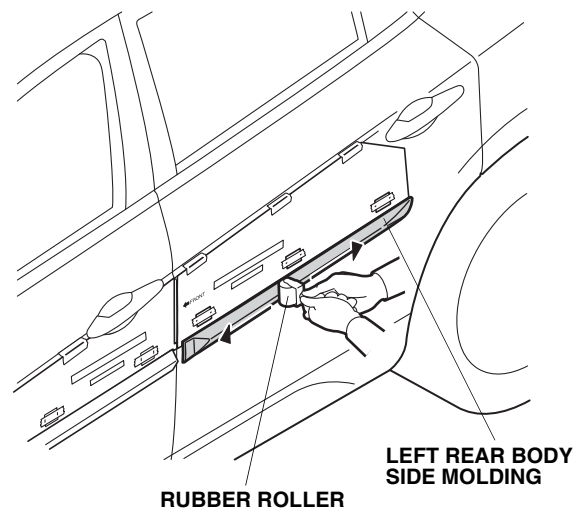
13. Align the edges of the left rear body side molding with the edges of the rear template, and install the left rear body side molding on the left rear door.



14. Press the left rear body side molding firmly with the palm of your hand and remove the adhesive backing 50 to 100 mm (2 to 4 in.) at a time.



15. Using the rubber roller, apply firm pressure, especially at the ends, while rolling to set the adhesive.



16. Remove the front and rear templates.
17. Turn the front and rear templates over, and repeat steps 1 thru 16 to install the body side moldings on the right side of the vehicle.