



INSTALLATION INSTRUCTIONS

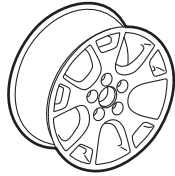
Accessory
17" ALUMINUM WHEEL
P/N 08W17-SZA-100

Application
2012 PILOT

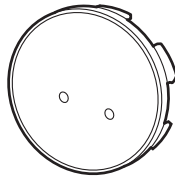
Publications No.
All 46359
Issue Date
AUG 2011

PARTS LIST

Aluminum wheel
(The illustration may differ from the actual wheel.)



Wheel center cap
(The illustration may differ from the actual center cap.)



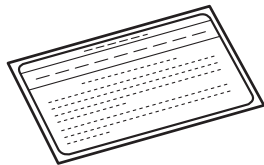
Center cap emblem



2 Push nuts

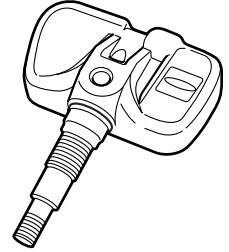


Wheel cleaning information



Parts for TPMS sensor assembly

Tire pressure sensor assembly



Washer



Valve nut



TOOLS AND SUPPLIES REQUIRED

Ratchet wrench

11 mm Socket

Torque wrench

Isopropyl alcohol

Shop towel

HDS

Snap-on TPMS sensor initializer tool

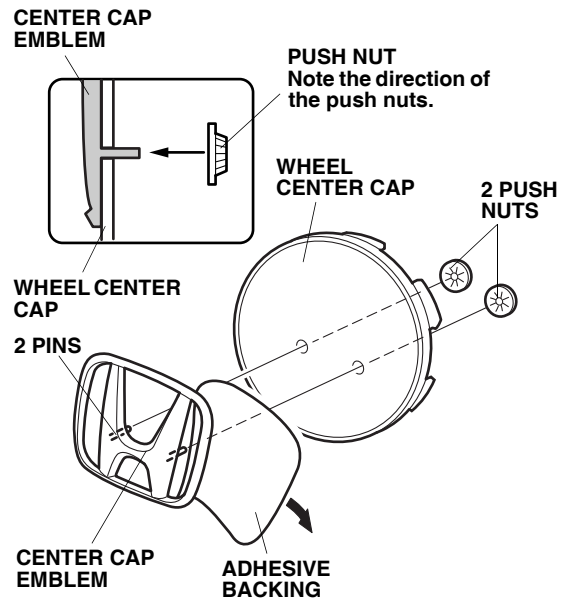
INSTALLATION

Customer Information: The information in this installation instruction is intended for use only by skilled technicians who have the proper tools, equipment, and training to correctly and safely add equipment to your vehicle. These procedures should not be attempted by “do-it-yourselfers.”

NOTE:

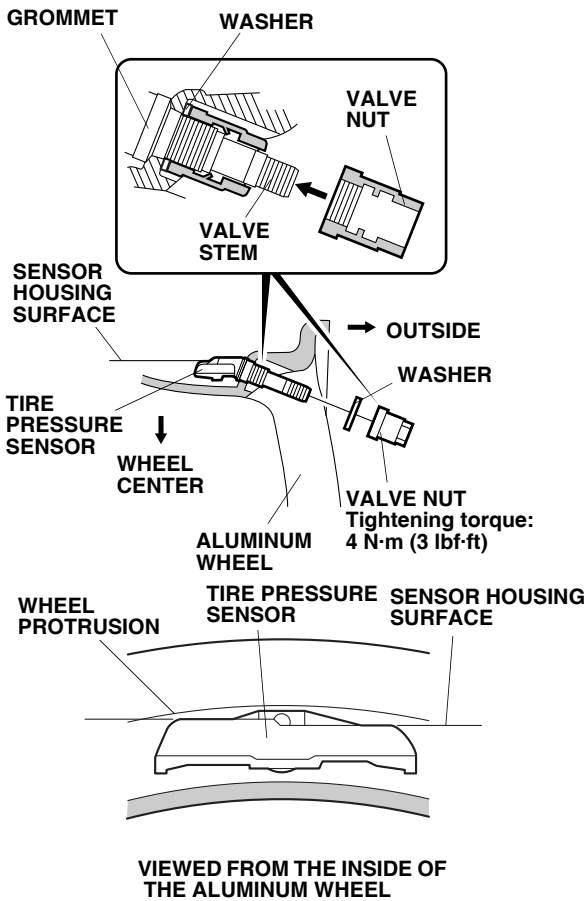
- This aluminum wheel is designed for use on vehicles equipped with TPMS (Tire Pressure Monitoring System).
- This aluminum wheel is equipped with a TPMS sensor. See the service manual for the tire replacement and TPMS sensor installation procedures.
- Install the correct size tire.
- Use a tire changer to install and remove the tires. Do not use a tire lever, as it may cause damage to the tire and aluminum wheel.
- Be careful not to damage the wheel center cap when installing the emblem.
- The center cap emblem should be installed only if the ambient air temperature is 15°C (60°F) or above.
- To allow the adhesive to cure, do not wash the vehicle for 24 hours.

1. Using isopropyl alcohol on a shop towel, clean the area where the center cap emblem will attach.



2. Remove the adhesive backing from the center cap emblem.
3. Attach the center cap emblem to the wheel center cap by aligning its pins with the holes in the wheel center cap. After attaching, hold the emblem firmly against the wheel center cap with the palm of your hand for 30 seconds.
4. Slide the two push nuts onto the two pins. Note the direction of the push nuts.

- Before installing the tire pressure sensor, clean the mating surface on the sensor and the aluminum wheel.



- Install the tire pressure sensor and the washer on the aluminum wheel, and tighten the valve nut finger tight. Make sure the pressure sensor is resting on the wheel.
- Tighten the valve nut to the specified torque while holding the tire pressure sensor toward the wheel. Tightening torque: 4 N·m (3 lbf·ft)

NOTE:

- Install the tire pressure sensor so that the sensor housing surface does not protrude into the bead area of the wheel.
- Do not reuse grommets that had been tightened to the specified torque. The valve system may leak.
- Do not use pneumatic or electric tools on the valve nut.
- Tightening the nut above the specified torque can damage the grommet.

- Install the tires according to the instructions in the service manual.
- Install the wheels on the vehicle and torque the wheel nuts to 108 N·m (80 lbf·ft).

MEMORIZING THE TIRE PRESSURE SENSOR ID

- Using the HDS and Snap-on TPMS sensor initializer tool, memorize the tire pressure sensor ID according to the instructions in the service manual.

