



# INSTALLATION INSTRUCTIONS

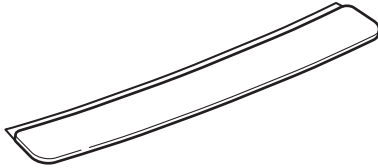
Accessory  
**REAR BUMPER APPLIQUE**  
P/N 08P48-TM8-101

Application  
**2011–2012 INSIGHT**

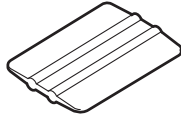
Publications No.  
**All 12055**  
Issue Date  
**OCT 2011**

## PARTS LIST

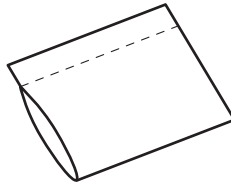
Rear bumper applique



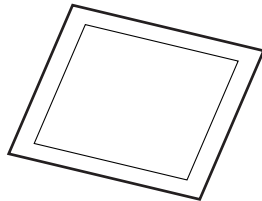
Applicator



Soft sleeve



Alcohol swab

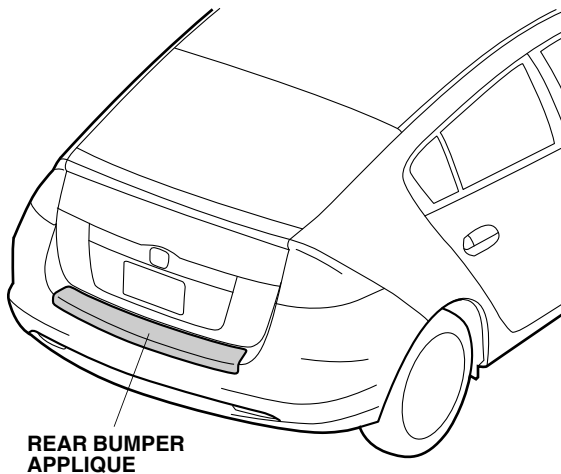


## TOOLS AND SUPPLIES REQUIRED

Masking tape

Felt-tip pen

**Illustration of the Rear Bumper Applique Installed on the Vehicle**



## INSTALLATION

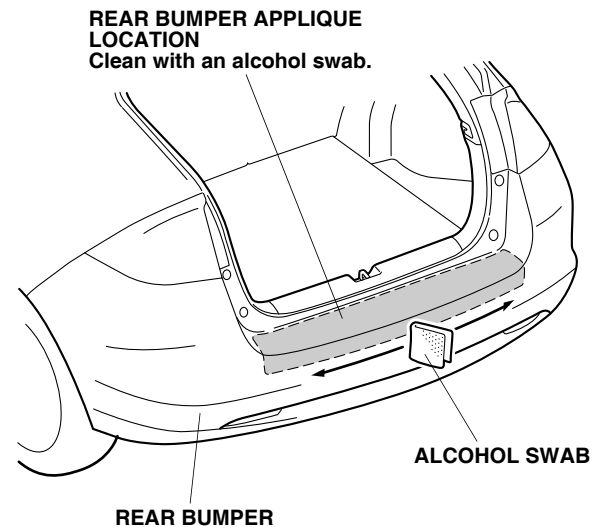
**Customer Information:** The information in this installation instruction is intended for use only by skilled technicians who have the proper tools, equipment, and training to correctly and safely add equipment to your vehicle. These procedures should not be attempted by “do-it-yourselfers.”

### NOTE:

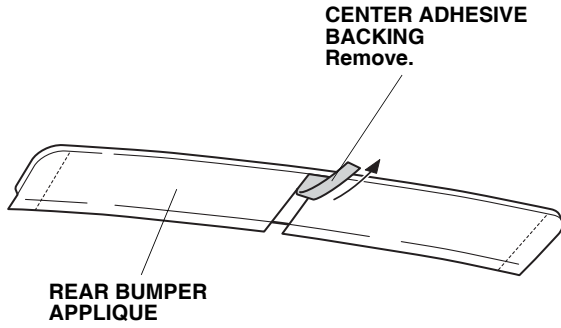
- Be careful not to damage the rear bumper and other finished surfaces of the body.
- This kit should be installed only if the ambient air temperature is above 15°C (60°F) or above.
- To allow the adhesive to cure, do not wash the vehicle for 24 hours.

### Installing the Rear Bumper Applique

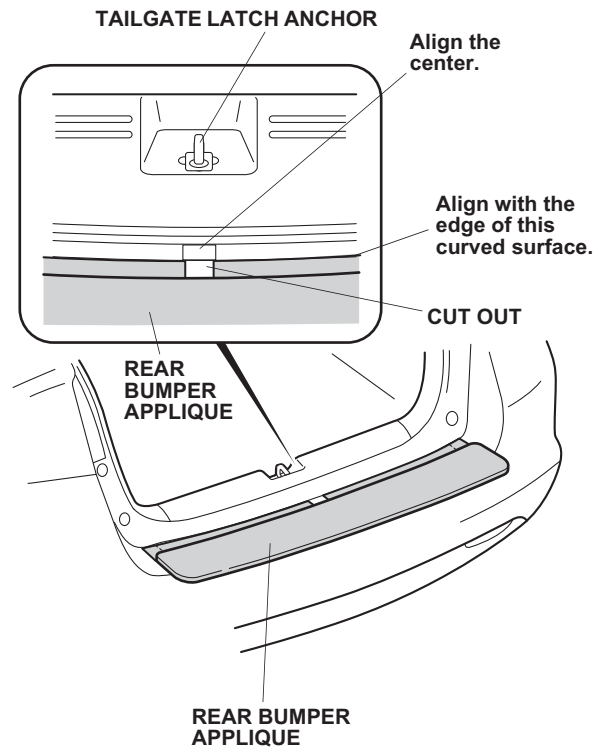
1. Using an alcohol swab, thoroughly clean the rear bumper where the rear bumper applique will attach.



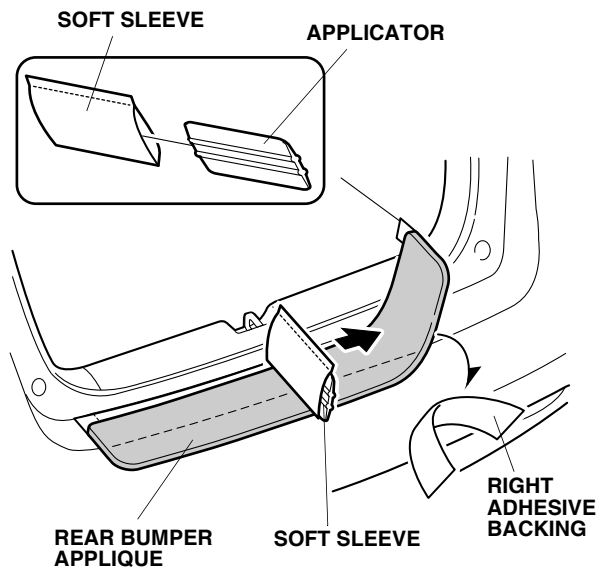
2. Remove the center adhesive backing from the rear bumper applique.



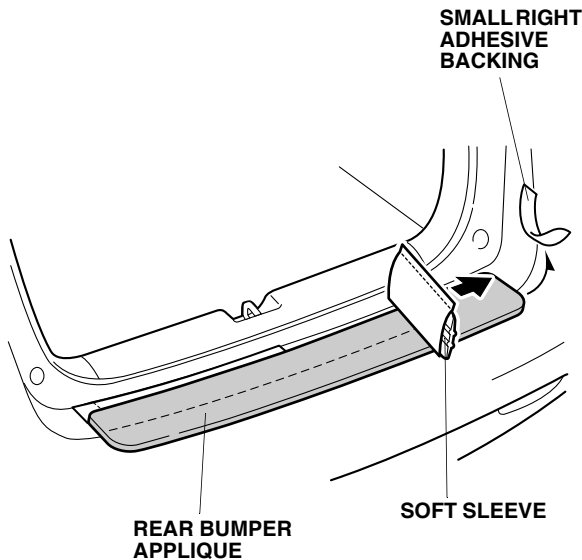
3. Place the rear bumper applique on the rear bumper, and align the cutout with the tailgate latch anchor. Be sure the rear bumper applique is aligned with the edge of the curved surface.



- Remove the right adhesive backing from the rear bumper applique. Using the applicator with the soft sleeve, firmly press the forward section of the rear bumper applique against the bumper. Do not press the rear section at this time. If you see a bubble, stop and gently peel up that section to work out the bubble. Work slowly and keep pressure against the rear bumper applique.



- Remove the small right adhesive backing. Using the soft sleeve, firmly press the rear bumper applique against the rear bumper.



- Repeat steps 4 and 5 on the left side.

- Once the top section is finished without any bubbles, use the soft sleeve to adhere the rear section. Starting from the center, work outwards and downward in small sections. Rub the applicator across and down around the bumper three to four times to prevent air bubbles. Adhere the rear bumper applique to the other side the same way.

