



INSTALLATION INSTRUCTIONS

Accessory

FULL NOSE MASK
P/N 08P35-TP6-101

Application

2012 CROSSTOUR

Publications No.

All 46181

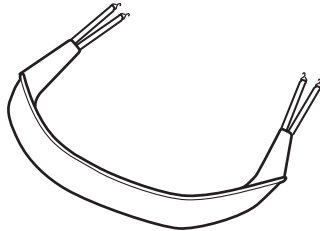
Issue Date

AUG 2011

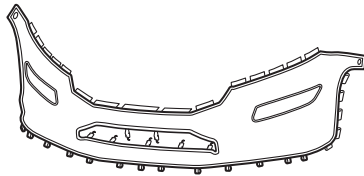
Put this information in the glove box with the vehicle owner's manual.

PARTS LIST

Mask
(hood section)



Mask
(bumper section)



2 Snap-screws



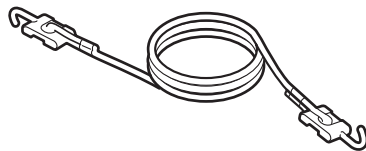
2 Washers



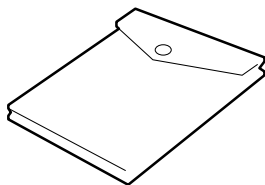
2 Fenderwell nuts



Elastic cord



Storage bag



TOOLS AND SUPPLIES REQUIRED

Stubby Phillips screwdriver

Flat-tip screwdriver

Utility knife

High-quality paste wax

INSTALLATION

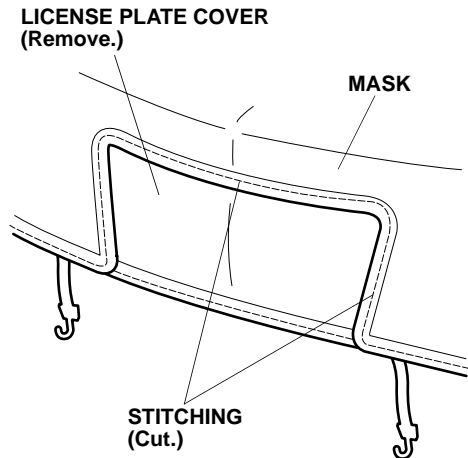
NOTE:

- Make sure the vehicle and the nose mask are clean and completely dry before installation. If moisture under the mask is allowed to dry, it may cloud the paint. If the mask gets wet, remove it and allow it to air-dry completely.
- Make sure any repainted surfaces are cured.
- Wax the hood and nose of the vehicle with a high-quality paste wax.
- Install the nose mask securely. If the nose mask starts to flap or comes loose while driving, safely pull off the highway, stop the vehicle, and secure or remove the mask.
- The nose mask cannot be installed if the vehicle is equipped with an air deflector or front under spoiler.

Displaying the License Plate

If your state law requires the display of both license plates, remove the piece of the bumper section that covers the front license plate:

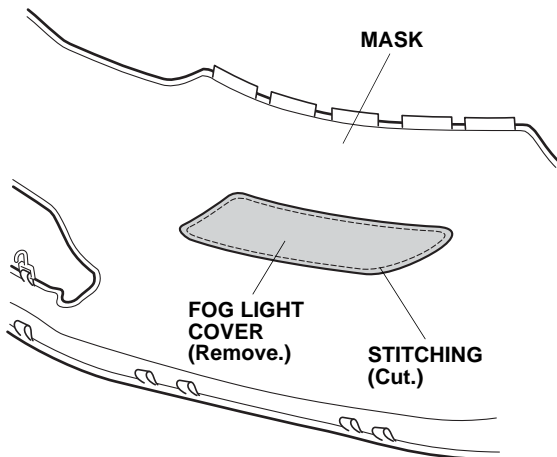
- Face the inside of the mask toward you.
- Carefully cut out the overcast stitching with a utility knife. Remove the stitching and the license plate cover.



With Fog Lights

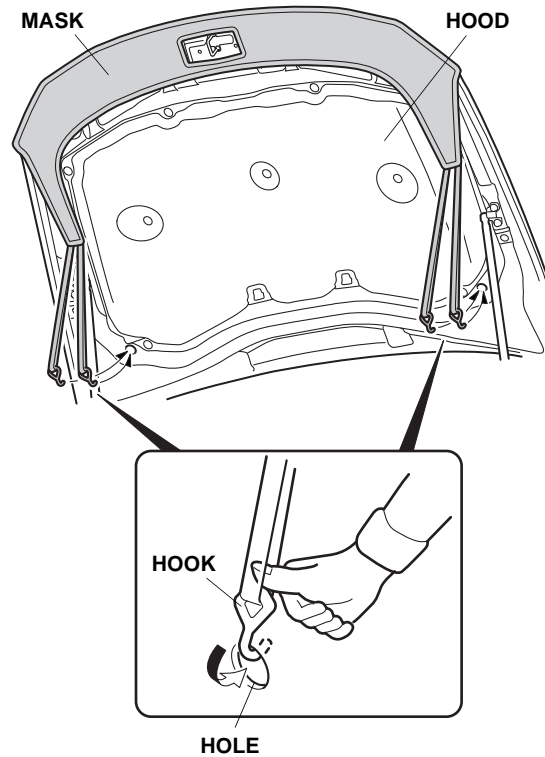
If the vehicle is equipped with fog lights, remove the pieces of the bumper section that cover the fog lights:

- Face the inside of the mask toward you.
- Carefully cut out the overcast stitching with a utility knife. Remove the stitching and the fog light cover.
- Repeat the same procedure on the other side.



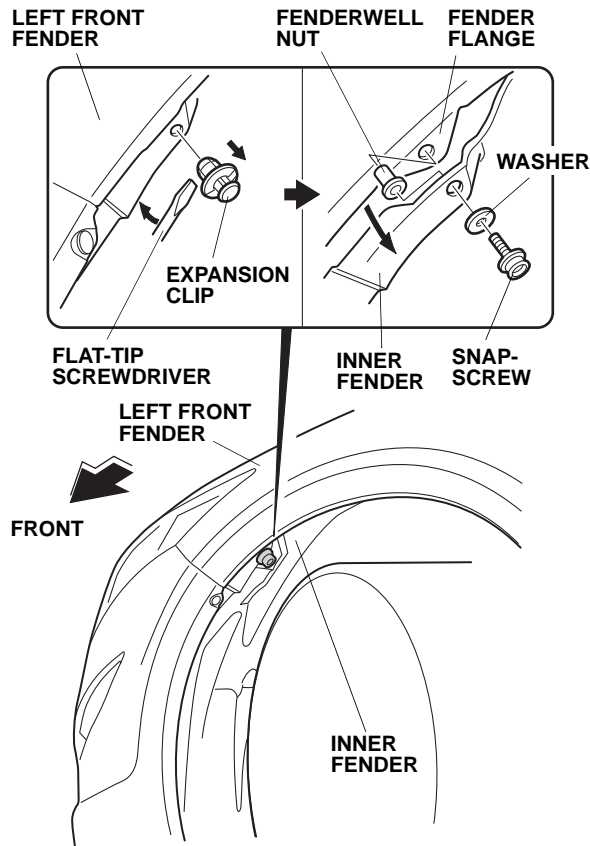
Installing the Hood Section

1. Open the hood. Fit the corners of the mask (hood section) around the hood. Adjust the mask so that it fits smoothly over the edges. Attach two hooks to the holes on each side. Insert your finger into the belt to remove and install each hook. Pulling a hook with excessive force can break the hook strap.



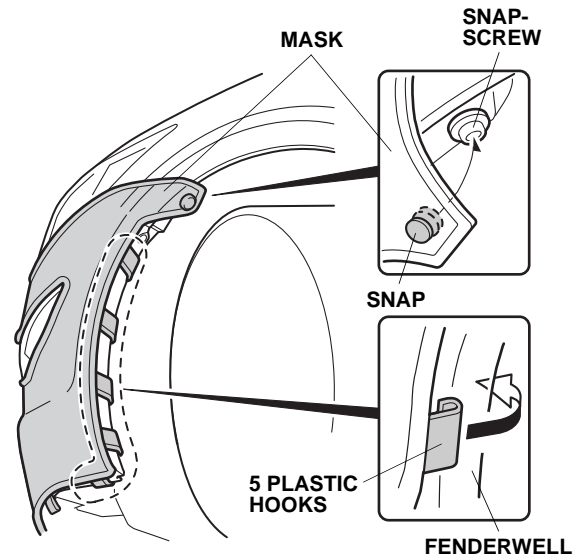
Installing the Bumper Section

- Turn the steering wheel all the way clockwise.

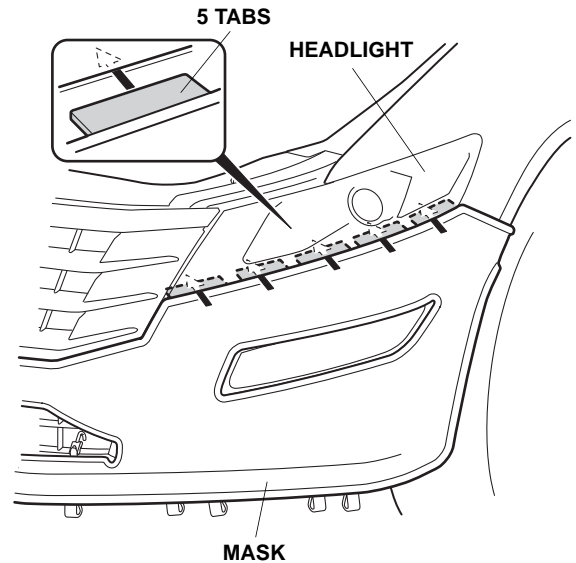


- Remove the expansion clip that fastens the inner fender. Clean the area around the hole. Retain the clip.
- Pull out the inner fender, and press one fenderwell nut into the hole in the fender flange.
- Place a washer onto the snap-screw, then install and securely tighten the snap-screw into the fenderwell nut.
- Turn the steering wheel all the way counterclockwise, and repeat steps 3 thru 5 on the right side.

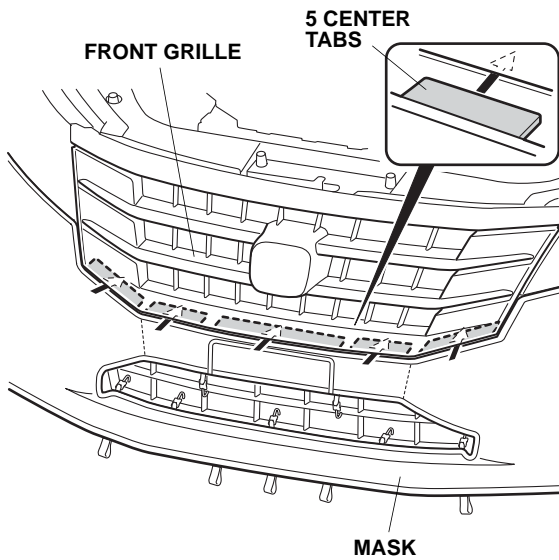
- Fit the mask across the front bumper. Snap the mask onto the snap-screws in both fenderwells.



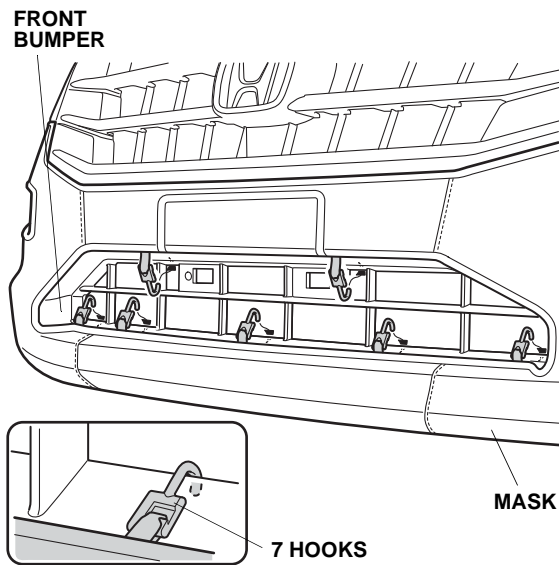
- Attach the five plastic hooks to the left fenderwell. Smooth out any wrinkles, then attach the five plastic hooks on the right side.
- Insert the five tabs on each side between the headlight and the front bumper.



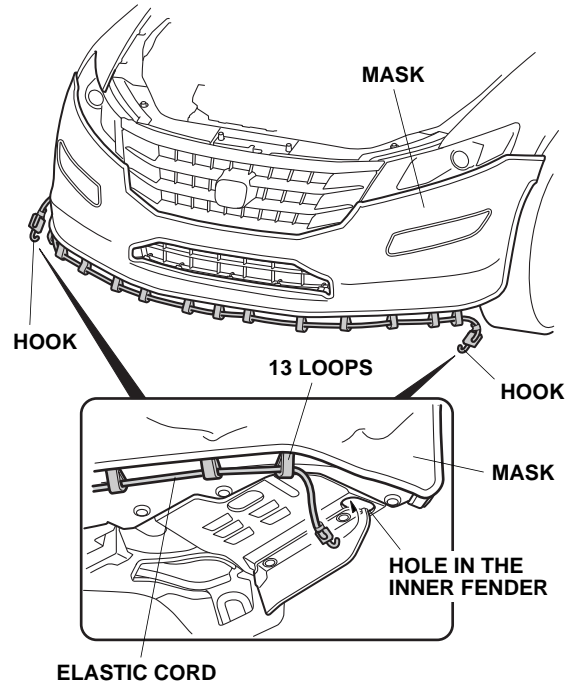
10. Insert the five center tabs between the front grille and the front bumper.



11. Attach the seven hooks to the bottom inside edge of the front bumper.



12. Route the elastic cord through the 13 loops on the bottom of the mask. Attach one hook to the hole in the inner fender. Stretch out the elastic cord after routing it through each loop, and then attach the other hook to the hole in the inner fender on the other side.



13. Put the expansion clips (removed in step 3) into the storage bag, and place it in the cargo area for future use.

CLEANING THE NOSE MASK

Use a sponge or cloth and a solution of mild liquid dishwashing soap and water to clean the vinyl and the flannel backing. Rinse the mask completely with clean water, and hang it to dry out of direct sunlight. Make sure the mask is completely dry before you reinstall it.