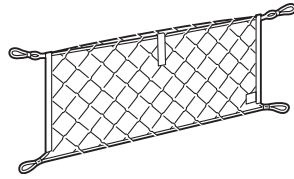


## PARTS LIST

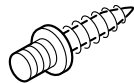
Cargo net



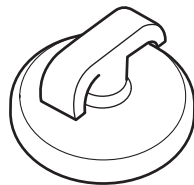
2 Anchors A



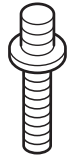
4 Self-tapping screws



4 Anchors B



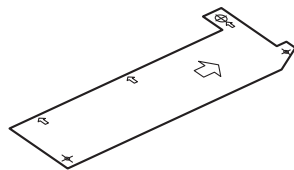
2 Bolts



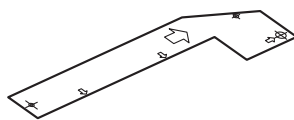
2 Rivet nuts



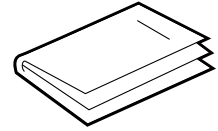
Template R



Template L



Accessory User's Information Manual



## TOOLS AND SUPPLIES REQUIRED

Rivet Nut Tool, 6 mm (T/N 07AAE-000A100)

Open end wrench

Pushpin

Felt-tip pen

Drill

3 mm, 5.5 mm, and 9 mm Drill bits

Plastic Trim Tool (T/N SILTRIMTL10)

Eye protection (face shield, safety goggles, etc.)

Touch-up paint

File

Hex wrench

Tape

Pliers

Shop towel

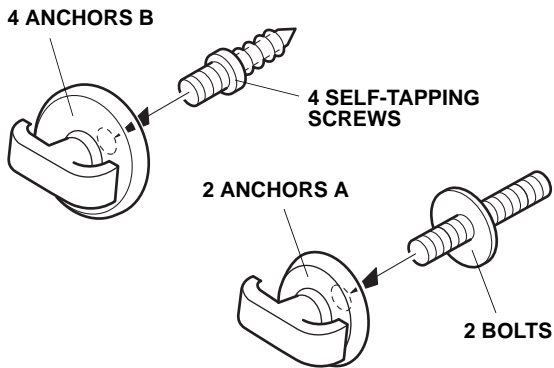
Ruler

## INSTALLATION

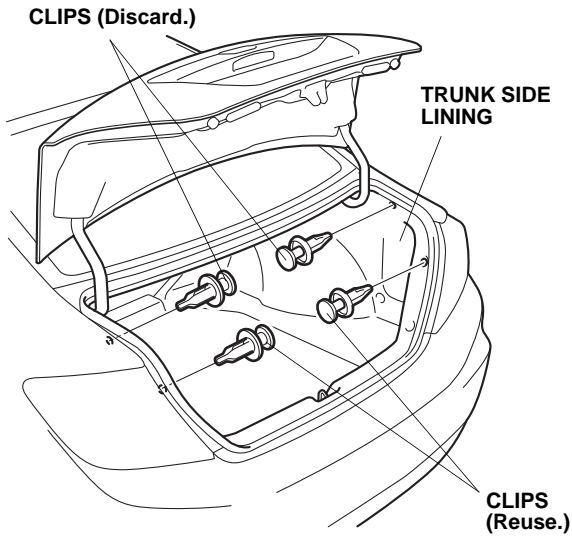
**Customer Information:** The information in this installation instruction is intended for use only by skilled technicians who have the proper tools, equipment, and training to correctly and safely add equipment to your vehicle. These procedures should not be attempted by "do-it-yourselfers."

NOTE: Be careful not to damage the body.

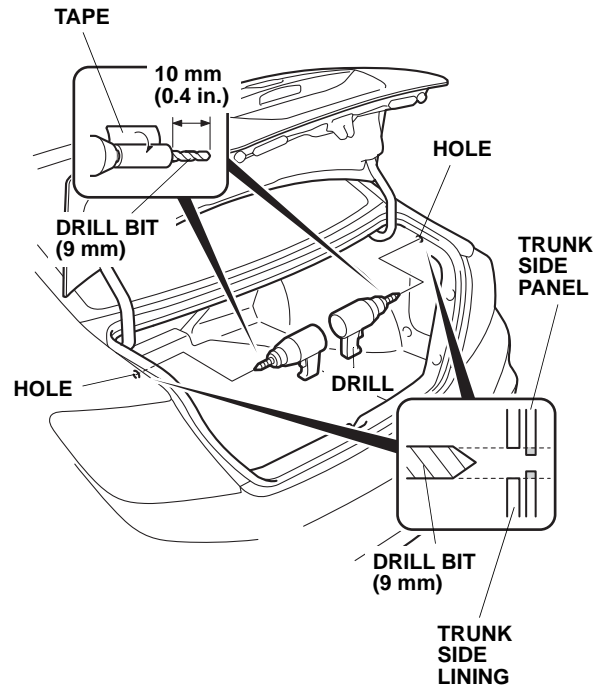
1. Install a bolt into each anchor A, and install a self-tapping screw into each anchor B.



2. Open the trunk lid. Remove the four clips from the trunk side lining.

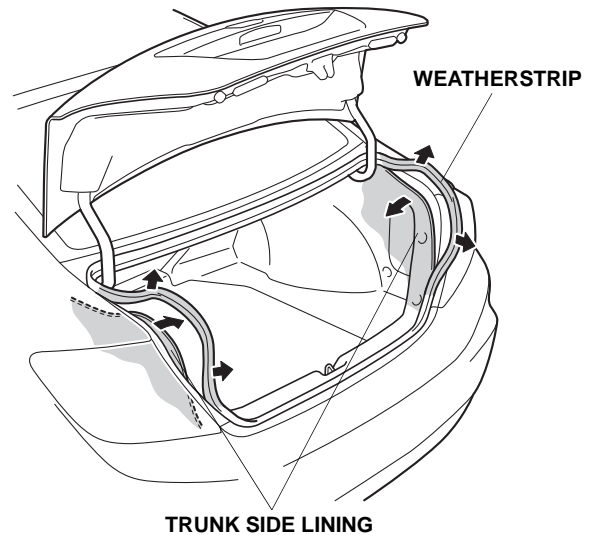


3. While wearing eye protection, enlarge the two clip holes shown to 9 mm. Remove any burrs, and apply touch-up paint to each hole. To prevent drilling through the inner panel, wrap tape around the drill bit 10 mm (0.4 in.) away from the tip.

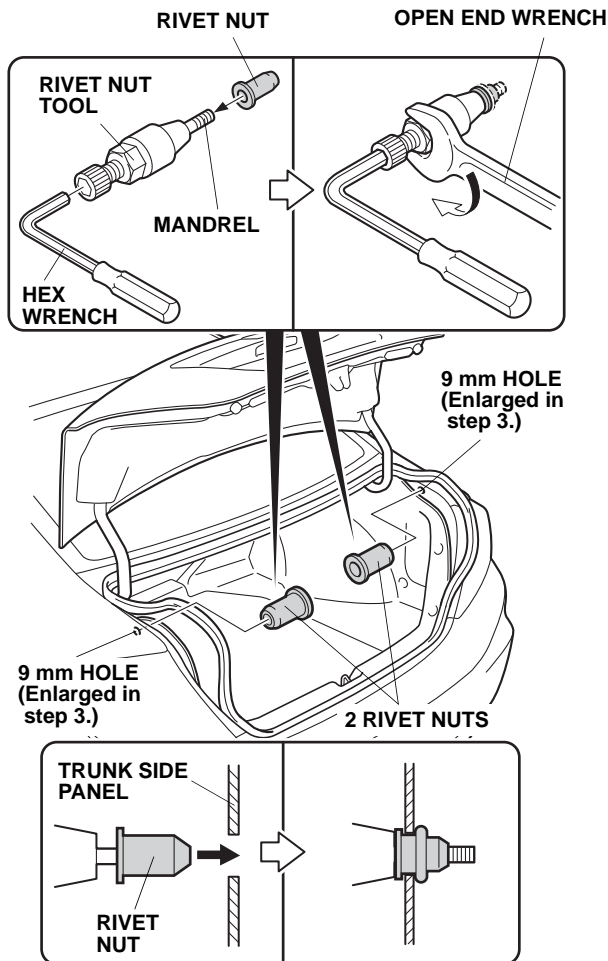


### Installing the Rivet Nuts

4. Pull off the weatherstrip in the areas shown, and move the trunk side lining out of your way.

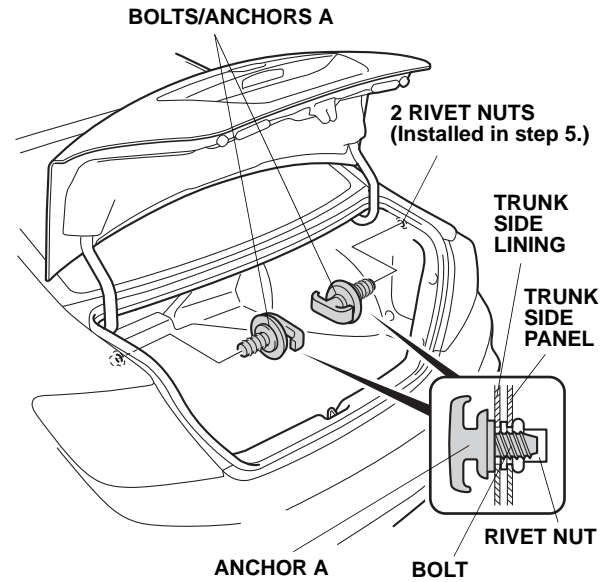


- Install two rivet nuts in the 9 mm holes you enlarged, as described in the following steps.

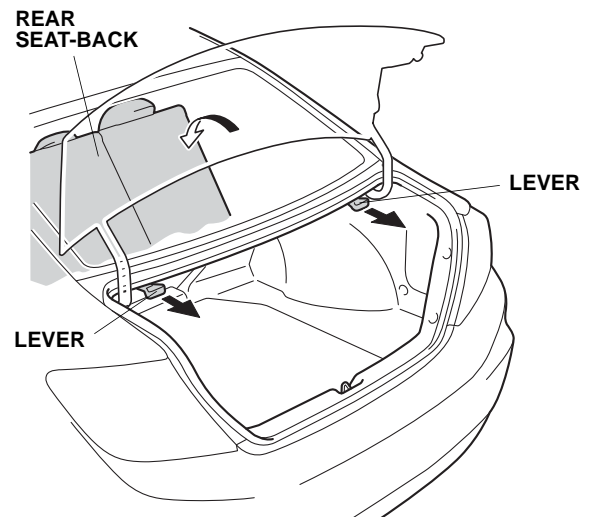


- Screw the rivet nut onto the mandrel of the tool as shown.
- Insert the rivet nut into the hole in the trunk side panel, and insert the hex wrench into the tool.
- While holding the tool with the hex wrench, turn the open end wrench clockwise to install the rivet nut to the trunk side panel.
- Remove the tool from the rivet nut by turning the hex wrench counterclockwise.
- Reinstall the trunk side linings and the weatherstrip.
- Reinstall the two clips removed in step 2.

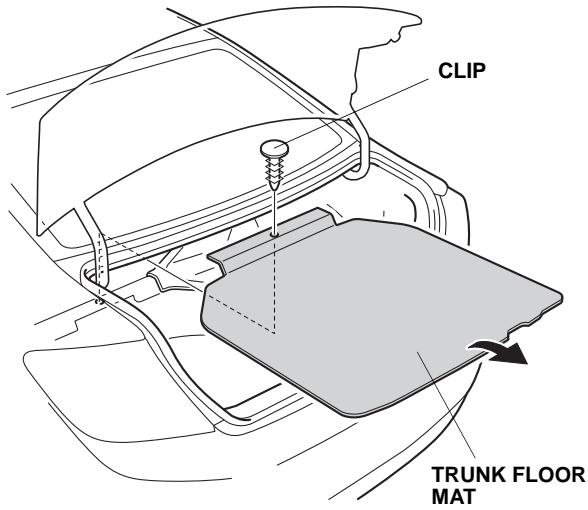
- Install two bolts/anchors A into the rivet nuts.



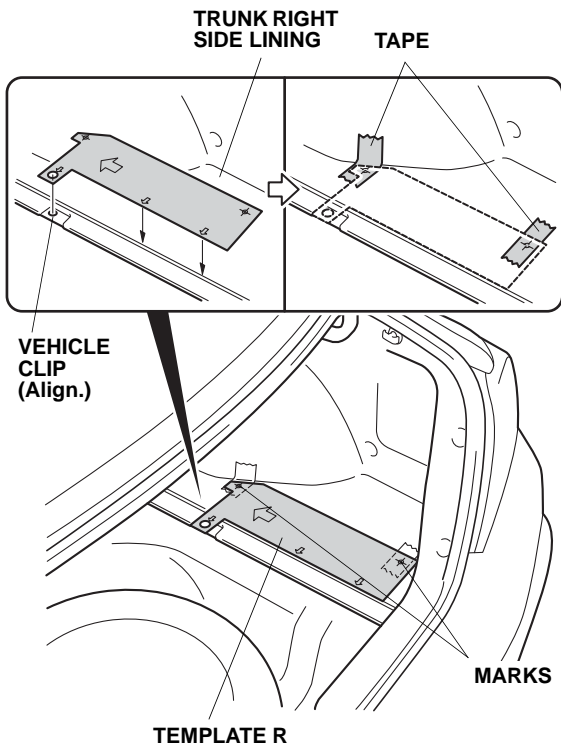
- Pull the levers to fold the rear seat-back forward.



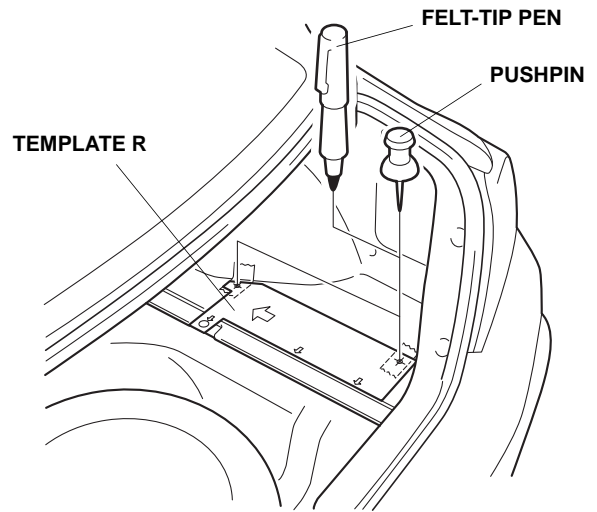
14. Remove the trunk floor mat (one clip).



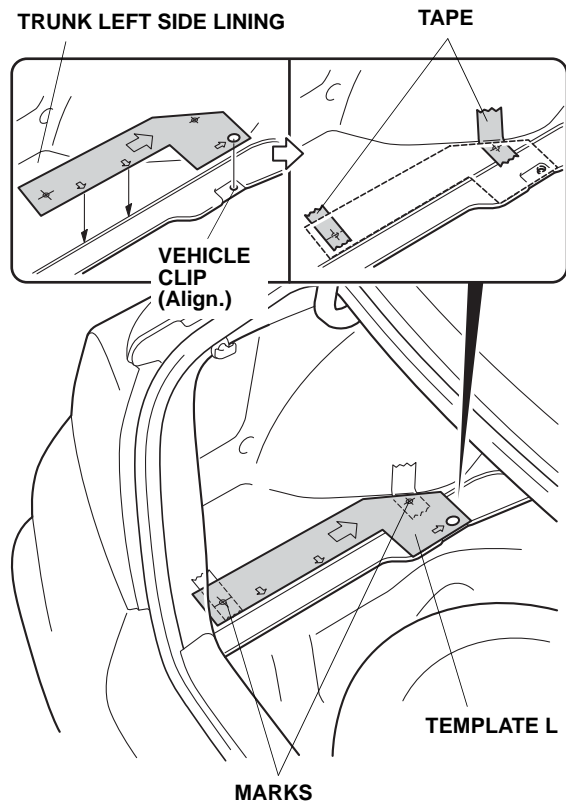
15. Attach template R to the trunk right side lining as shown.



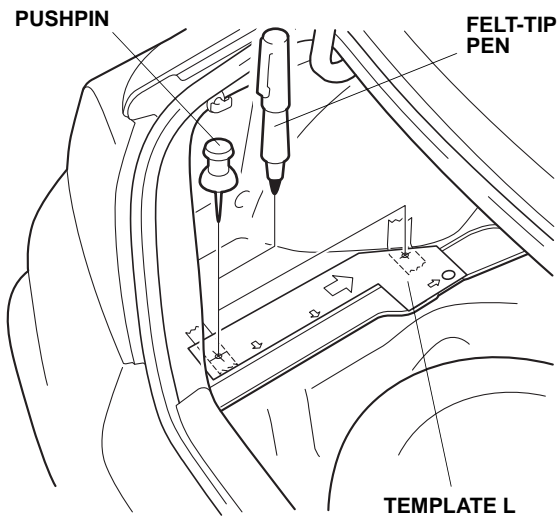
16. Put pieces of tape underneath the two marks on template R as shown.  
 17. Mark the tape under template R with a pushpin and a felt-tip pen as shown.



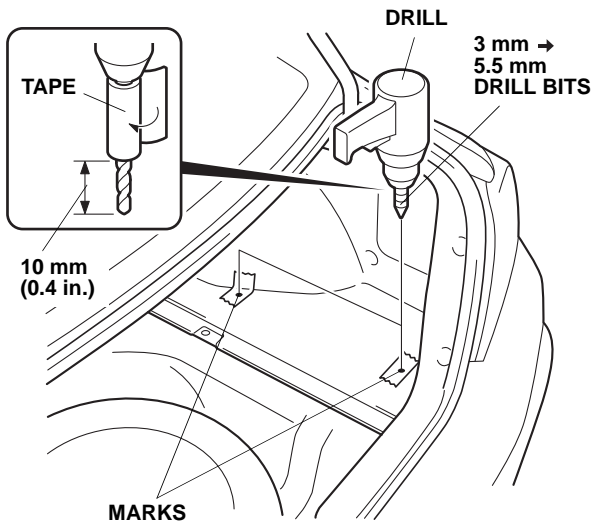
18. Remove template R.  
 19. Attach template L to the trunk left side lining as shown.



20. Put pieces of tape underneath the two marks on template L as shown.
21. Mark the tape under template L with a pushpin and a felt-tip pen as shown.

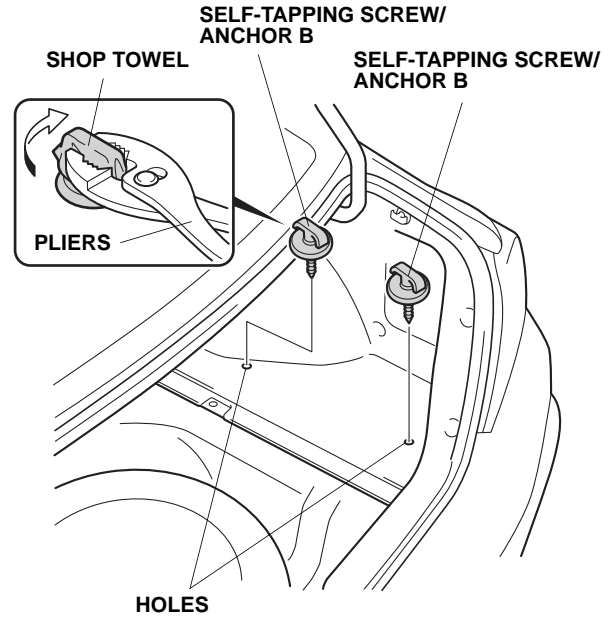


22. Remove template L.
23. While wearing eye protection, drill a 5.5 mm hole through the trunk side lining and the trunk floor at each mark. Start with a 3 mm drill bit and finish with a 5.5 mm drill bit. Remove any burrs, and apply touch-up paint to each hole.
  - To prevent drilling through the inner panel, wrap a tape around each drill bit 10 mm (0.4 in.) away from the tip.
  - Before drilling, pull up the trunk side lining and check that the trunk lid opener cable is not under the places to be drilled.



24. Repeat step 23 to drill the left side of the vehicle.
25. Remove the pieces of tape. Install self-tapping screws/anchors B into each 5.5 mm hole you made.

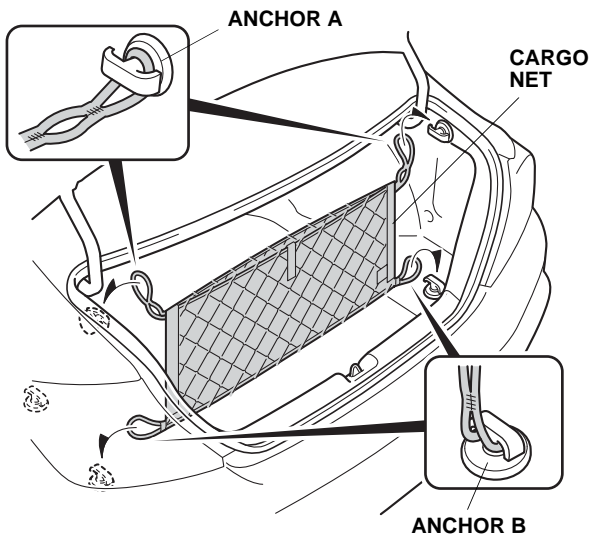
NOTE: If tightening becomes difficult, protect the self-tapping screw/anchor B with a shop towel, and tighten it with pliers.



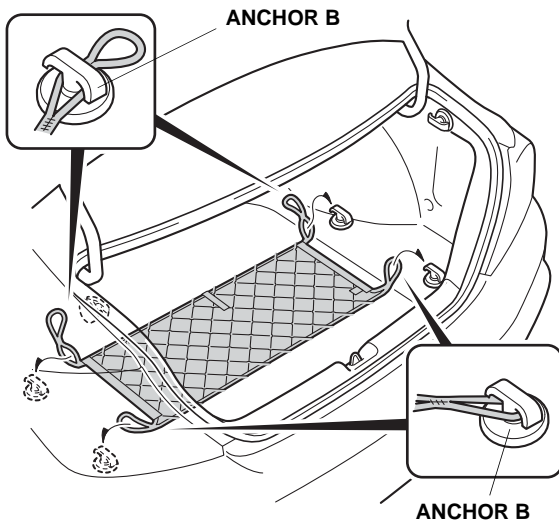
26. Repeat step 25 to install two self-tapping screws/anchors B on the left side of the vehicle.

27. Install the cargo net to the anchors in the trunk. The cargo net can be installed in two different positions.

*Position #1: Vertical divider / pouch:*



*Position #2: Flat floor cargo:*



**NOTE:**

- Do not store large or fragile objects in the net.
- Do not store objects with sharp edges or corners, as they may damage the cargo net or the vehicle. Wrap them in paper or a blanket so they will not contact the net directly.