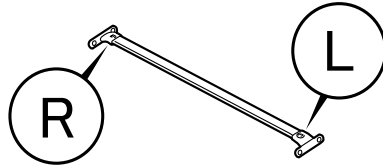
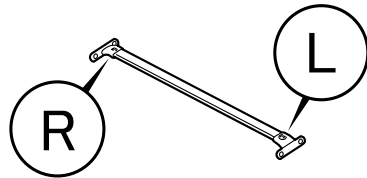


**PARTS LIST**

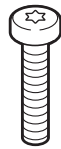
Front cross bar



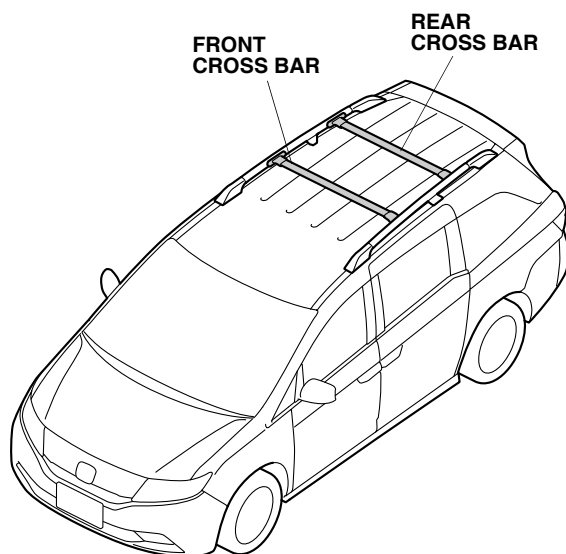
Rear cross bar



8 Bolts

**TOOLS AND SUPPLIES REQUIRED**

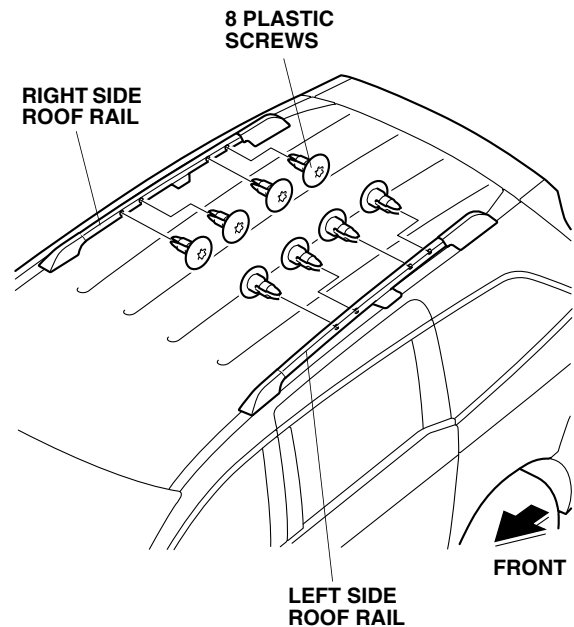
T-30 Torx driver

**Illustration of the Cross Bars Installed on the Vehicle****INSTALLATION****NOTE:**

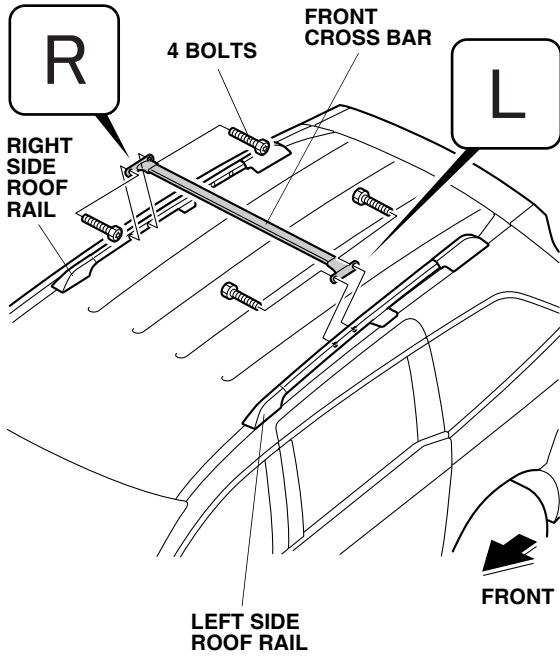
- The weight of the cargo must not exceed the maximum weight capacity of 75 kg (165 lbs).
- Be extremely careful not to damage the roof and other finished surfaces of the body when installing the cross bars.

**Installing the Cross Bars**

1. Remove the four plastic screws from left side roof rail, and the right side roof rail.



2. Install the front cross bar to the left side roof rail and the right side roof rail with two bolts.  
Torque the bolts to: 10 N·m (7.3 lbf·ft)



## USE AND CARE

- Check the roof rail mounting bolts frequently, and re-tighten if necessary.
- Distribute the weight of the cargo evenly, and do not exceed the maximum weight capacity of 75 kg (165 lbs).

3. Install the rear cross bar to the left side roof rail and the right side roof rail with two bolts.  
Torque the bolts to: 10 N·m (7.3 lbf·ft)

