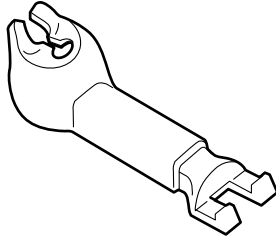
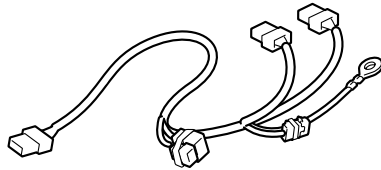


**PARTS LIST****Automatic Day/Night Mirror Attachment Kit  
P/N 08V03-TM8-100**

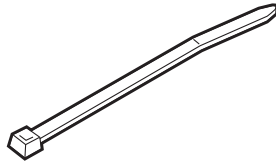
Harness cover



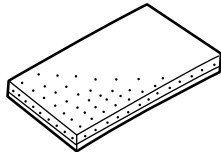
Automatic day/night mirror harness



8 Wire ties



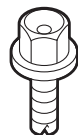
EPT sealer



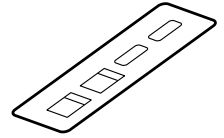
Clip



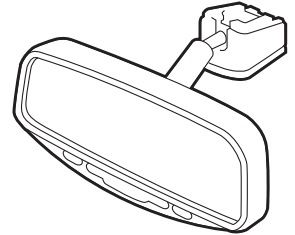
Ground bolt



Fuse label

**Automatic Day/Night Mirror Kit  
P/N 08V03-SDA-100B**

Automatic day/night mirror



Spring



Accessory User's Information Manual

**TOOLS AND SUPPLIES REQUIRED**

Phillips screwdriver

Ratchet

10 mm Socket

Isopropyl alcohol

Shop towel

Diagonal cutters

Needle nose pliers

Steel wire

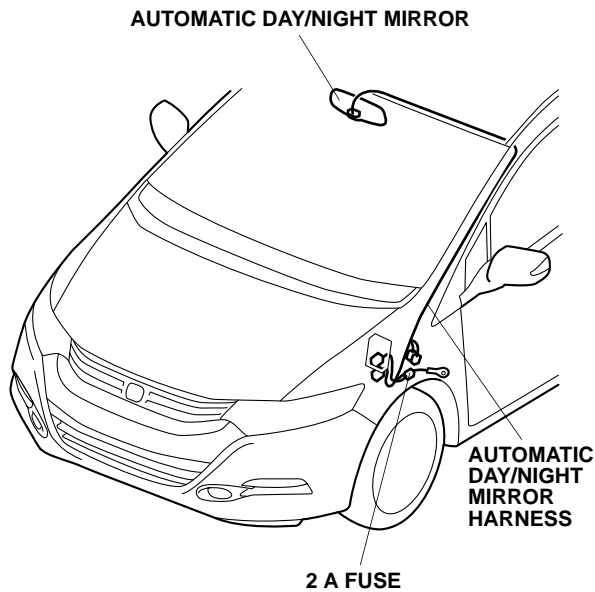
Electrical tape

Plastic trim tool T/N: SILTRIMTL10

Rubber mallet

10 mm Wrench

### Illustration of the Automatic Day/Night Mirror Installed on the Vehicle



### INSTALLATION

**Customer Information:** The information in this installation instruction is intended for use only by skilled technicians who have the proper tools, equipment, and training to correctly and safely add equipment to your vehicle. These procedures should not be attempted by "do-it-yourselfers."

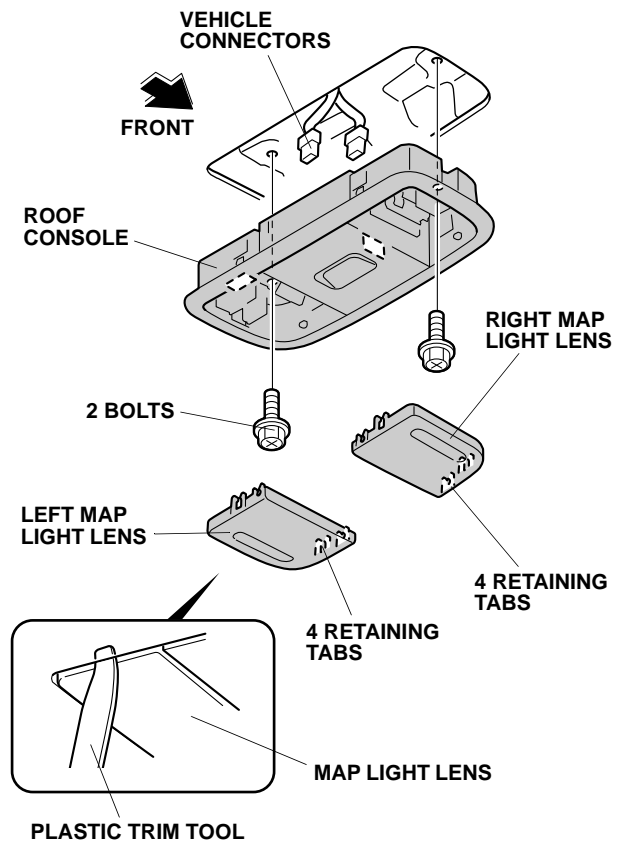
1. Make sure you have the anti-theft code for the audio unit or the audio-navigation unit.
2. Disconnect the negative cable from the battery.

If the vehicle is equipped with a roof console, continue with step 3, otherwise go to step 4.

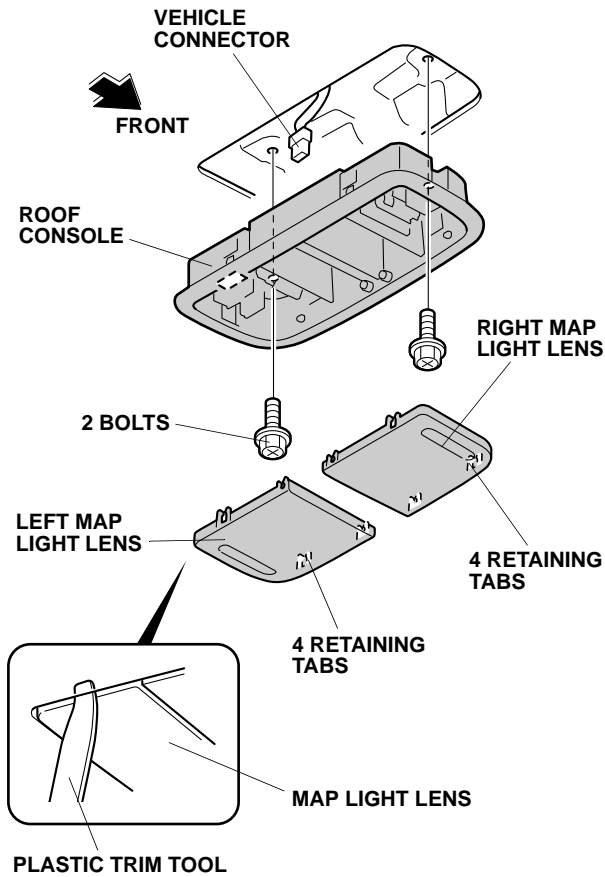
### 3. Remove the roof console:

- Using a plastic trim tool, remove the right and left map light lenses (eight retaining tabs).
- Remove the roof console (two bolts and unplug the vehicle connectors).

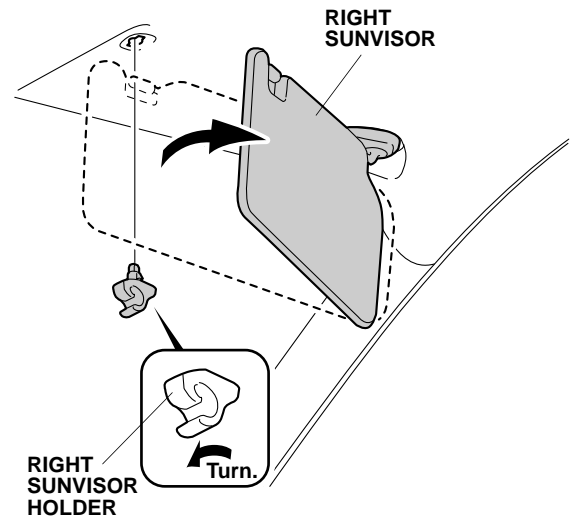
### EX With Navigation



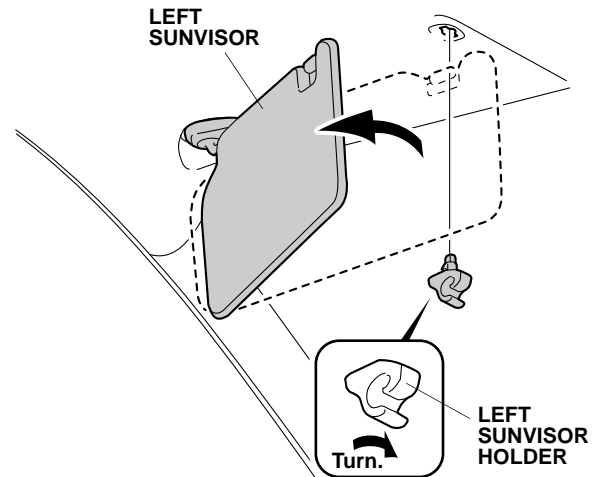
## EX Without Navigation



4. Release the right sunvisor from the right sunvisor holder.

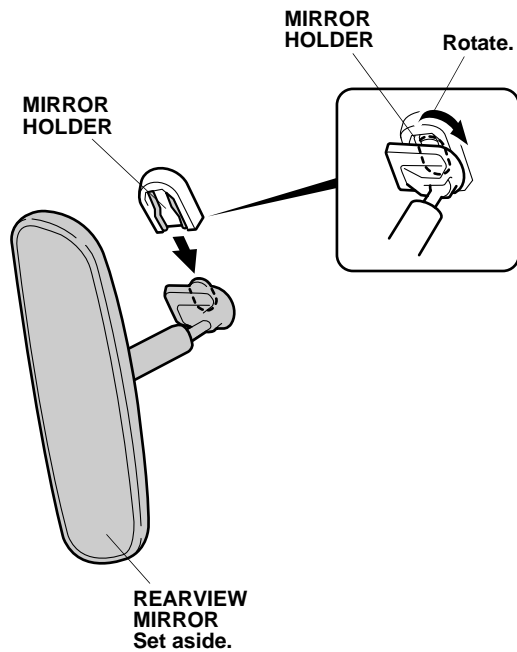


5. Turn and remove the right sunvisor holder.
6. Release the left sunvisor from the left sunvisor holder.

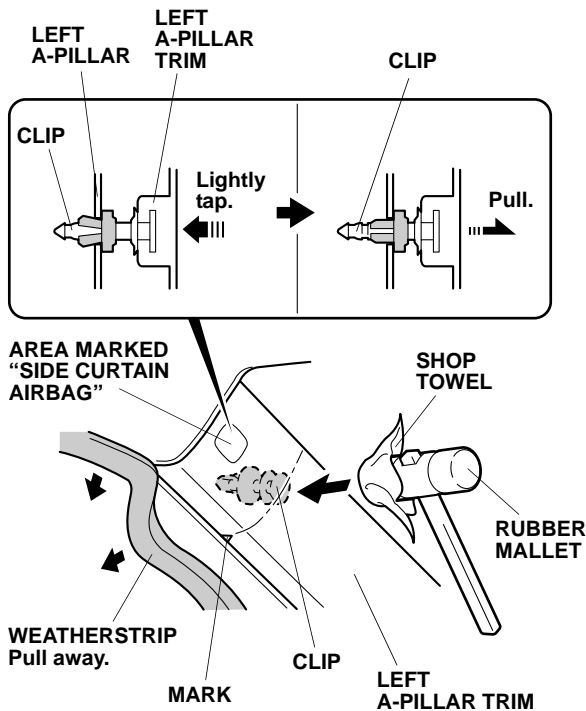


7. Turn and remove the left sunvisor holder.

- Turn the mirror clockwise to release it from the mirror holder. Set the mirror aside, it will not be reused.

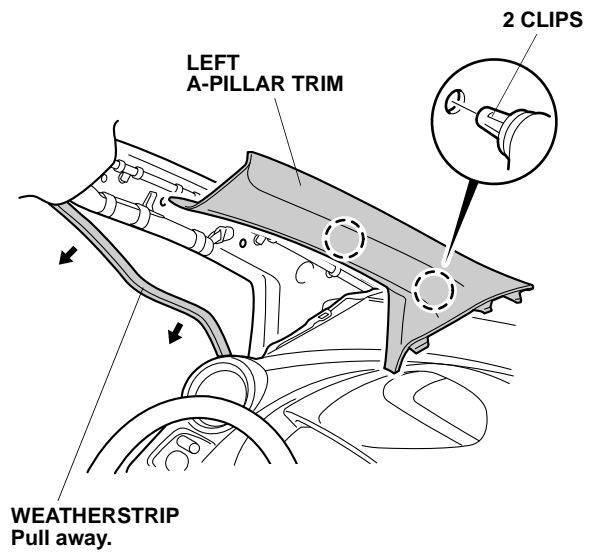


- Pull away the weatherstrip from the left A-pillar trim at the area marked "SIDE CURTAIN AIRBAG."

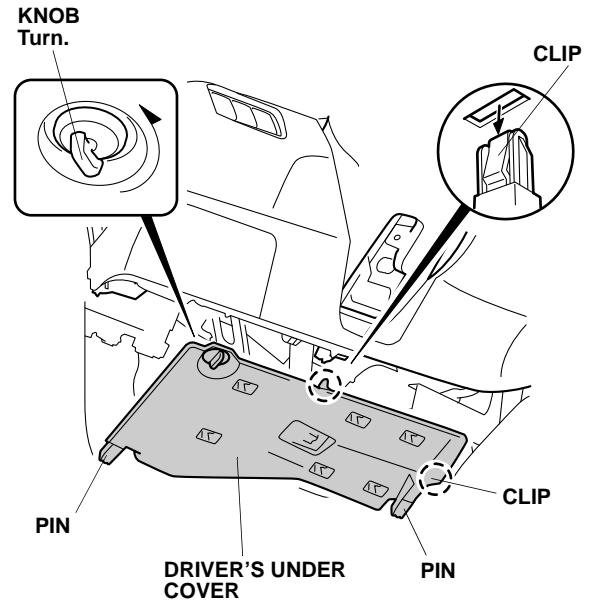


- Using a rubber mallet wrapped with a shop towel, lightly tap the left A-pillar trim where it says "SIDE CURTAIN AIRBAG" to release the clip.

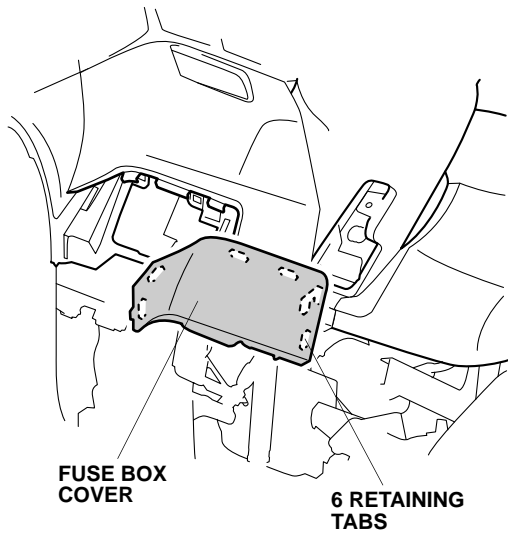
- Pull away the rest of the weatherstrip and remove the left A-pillar trim (two clips).



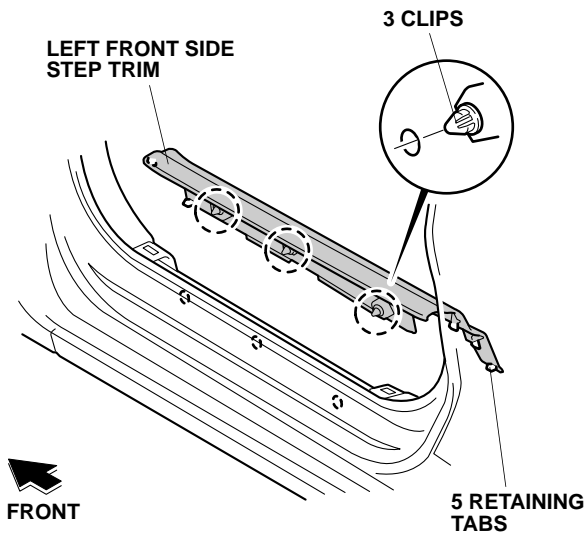
- Remove the driver's under cover (turn the knob counterclockwise, and release two clips and two pins).



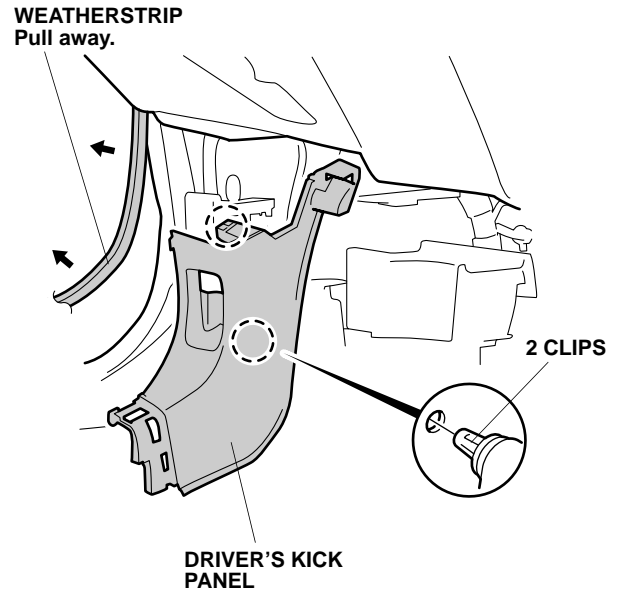
13. Remove the fuse access panel (six retaining tabs).



14. Remove the left front door sill trim (three clips and five retaining tabs).

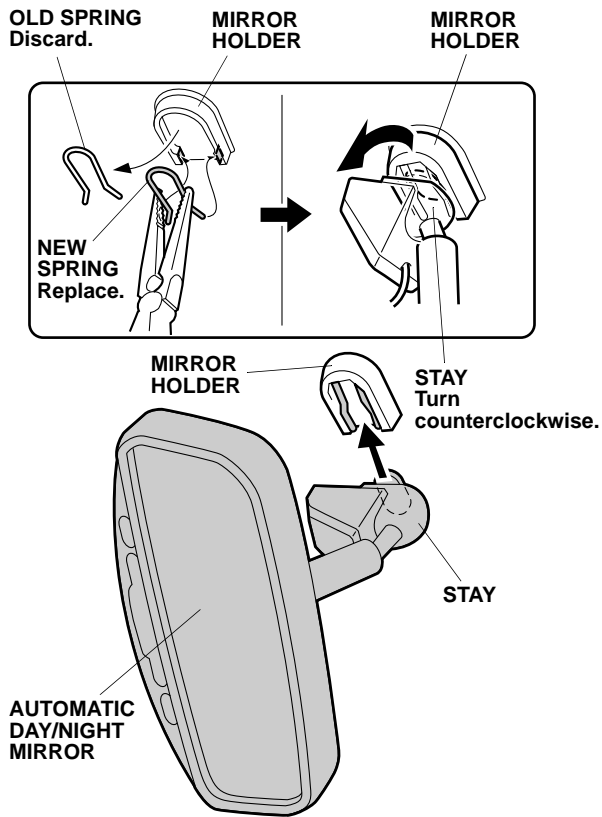


15. Pull away the weatherstrip from around the driver's kick panel, and remove the driver's kick panel (two clips).

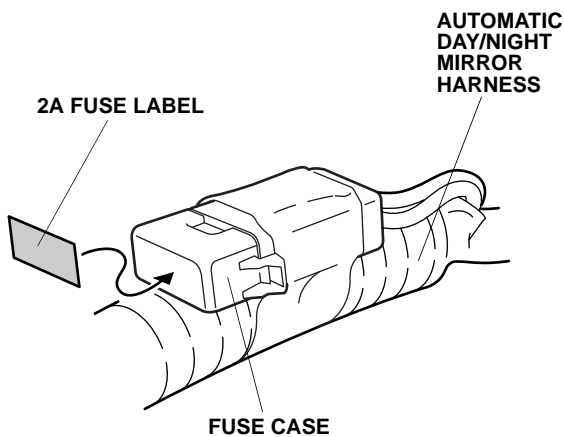


## Installing the Automatic Day/Night Mirror

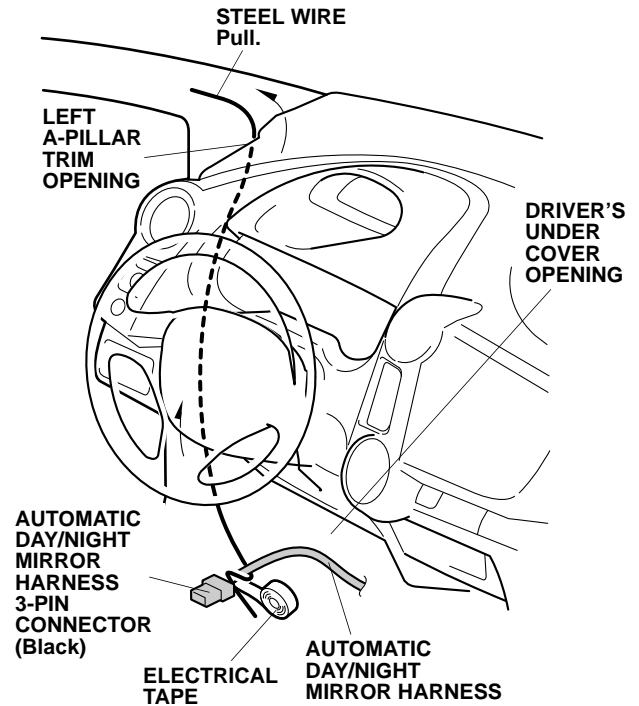
16. Using a needle nose pliers, replace the spring in the mirror holder.



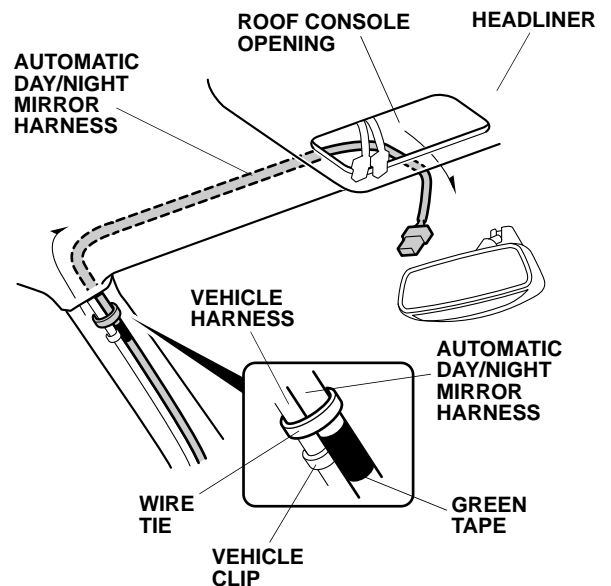
17. Slide the stay on the automatic day/night mirror into the mirror holder, and rotate the stay counterclockwise to secure the mirror.
18. Using isopropyl alcohol on a shop towel, thoroughly clean the area where the fuse label will attach. Attach the 2A fuse label to the fuse case on the automatic day/night mirror harness.



19. Using electrical tape, attach a piece of steel wire to the black connector on the automatic day/night mirror harness.

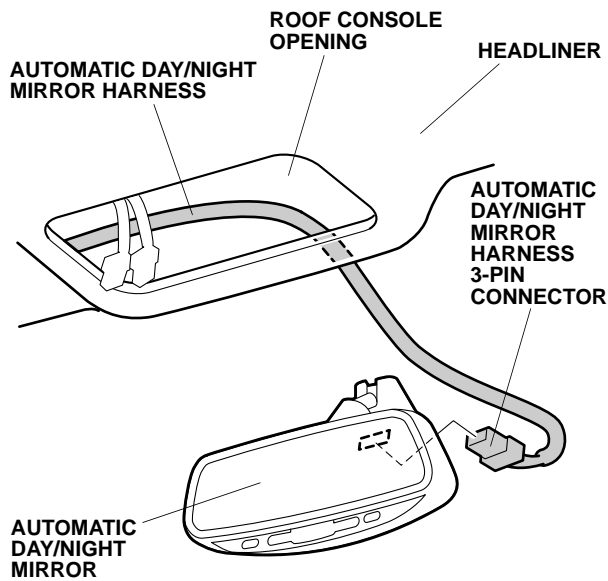


20. Use the steel wire to route the automatic day/night mirror harness up the left A-pillar trim opening. Remove the electrical tape and the steel wire from the automatic day/night mirror harness.
21. Continue routing the automatic day/night mirror harness up the A-pillar and under the headliner as shown. Be careful not to crease the headliner.

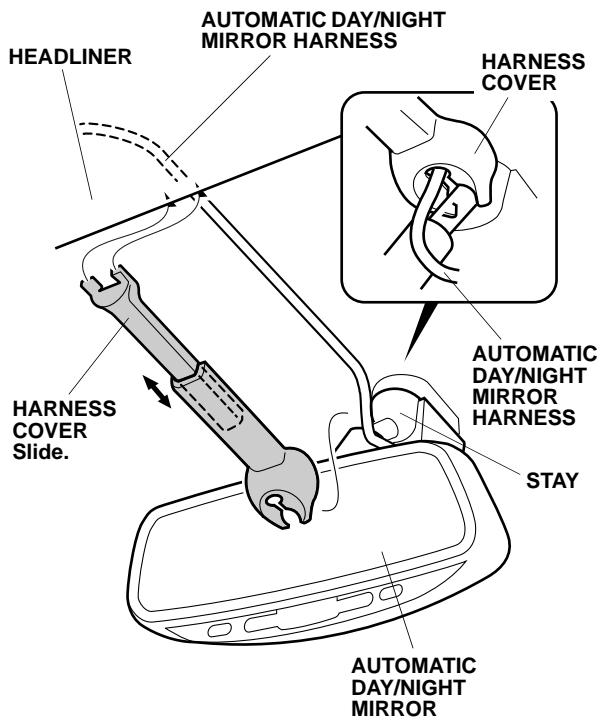


22. Secure the automatic day/night mirror harness to the vehicle harness with one wire tie at the green tape.

23. Plug the automatic day/night mirror harness 3-pin connector into the automatic day/night mirror.

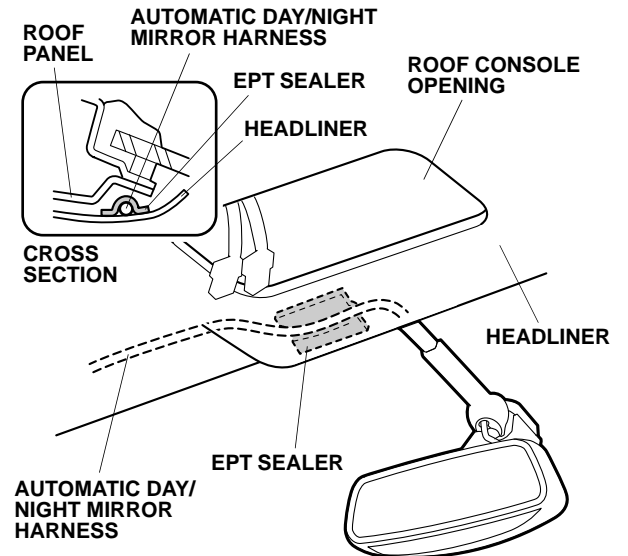


24. Route the automatic day/night mirror harness through the groove in the harness cover. Secure the harness cover to the stay, and slide the harness cover under the headliner.

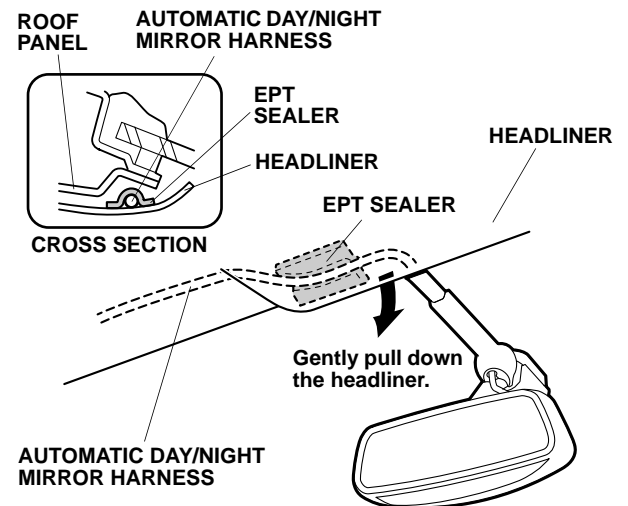


25. Secure the automatic day/night mirror harness to the headliner with one EPT sealer:

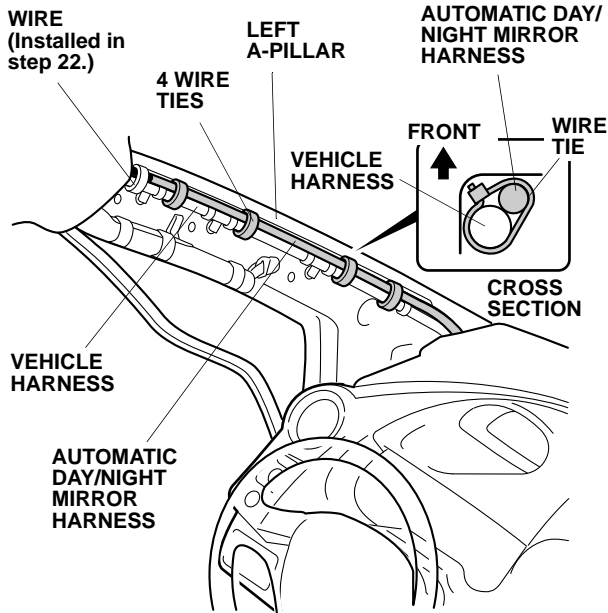
**With Map Light:** Reach through the opening to secure the harness.



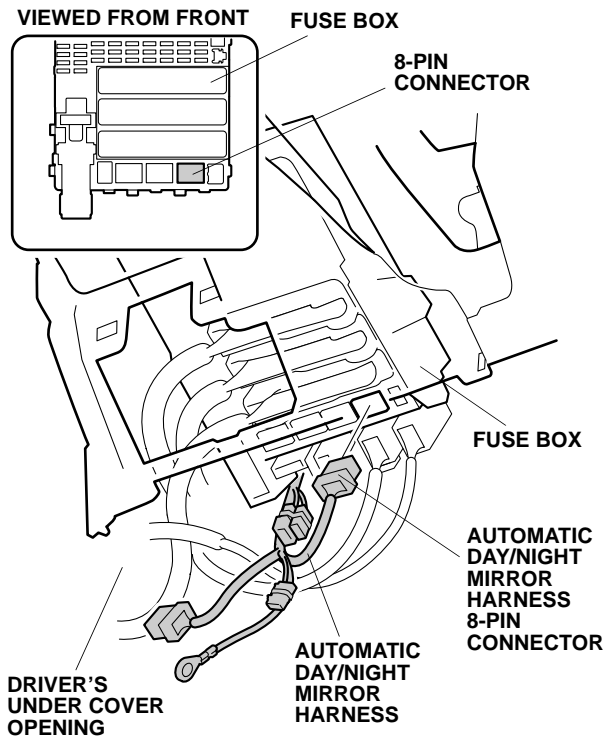
**Without Map Light:** Gently pull down the headliner to secure the harness.



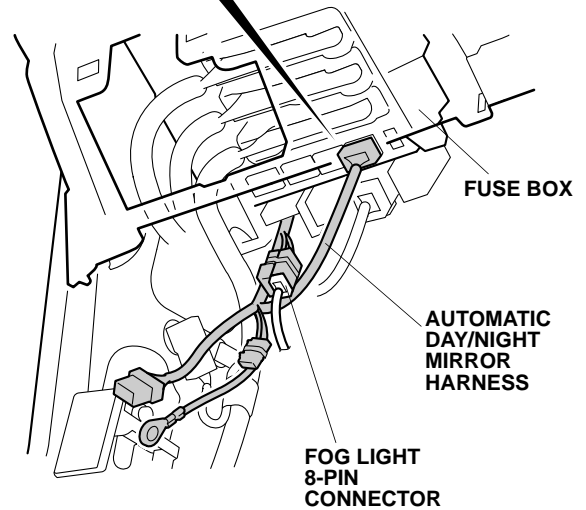
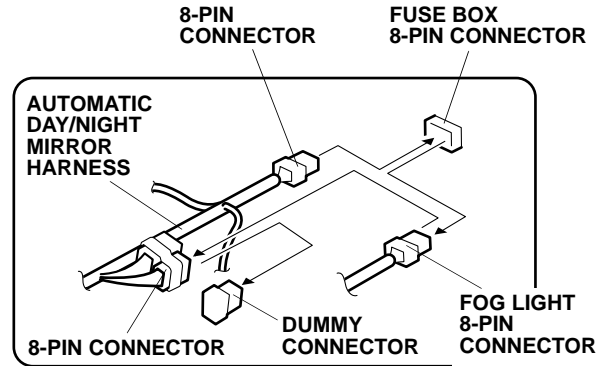
26. With the automatic day/night mirror harness in front of the vehicle harness, secure the mirror harness with four additional wire ties positioned as shown.



27. Plug the automatic day/night mirror harness 8-pin connector into the fuse box 8-pin connector.

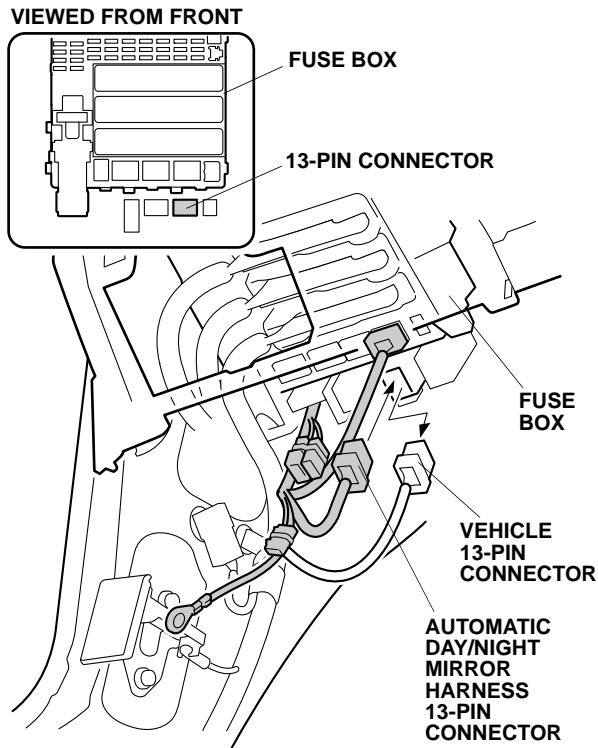


- If the fog light connector is already plugged into the fuse box 8-pin connector, remove the dummy connector from the automatic day/night mirror harness. Unplug the fog light 8-pin connector, and plug it into the automatic day/night mirror harness. Plug the automatic day/night mirror harness 8-pin connector into the fuse box 8-pin connector.

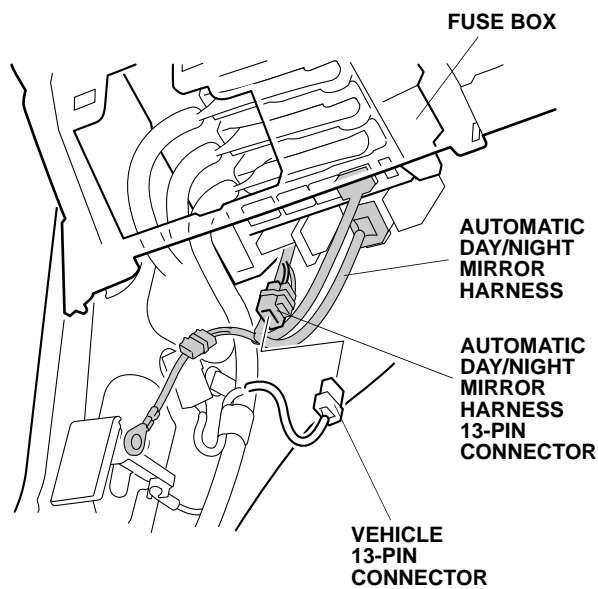




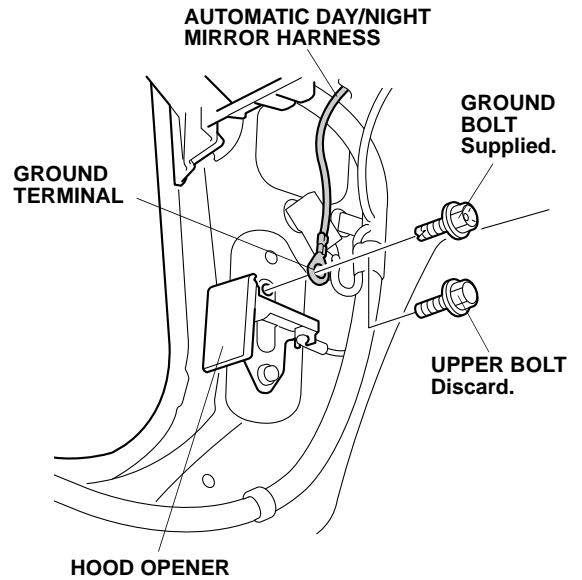
28. Unplug the vehicle 13-pin connector from the fuse box. Plug the automatic day/night mirror harness 13-pin connector into the fuse box 13-pin connector.



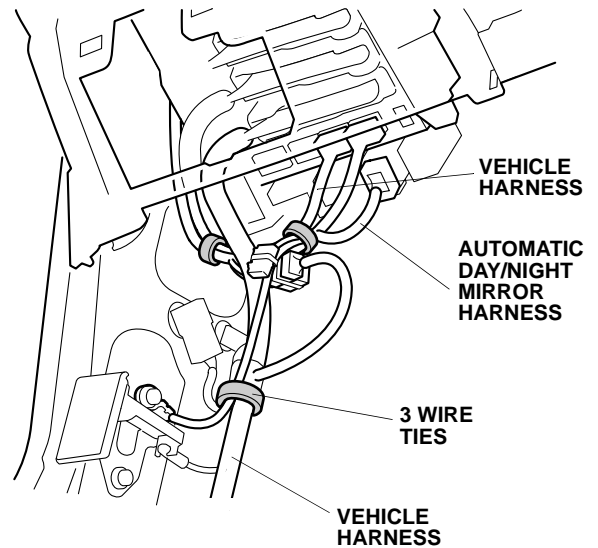
29. Plug the vehicle 13-pin connector into the automatic day/night mirror harness 13-pin connector.



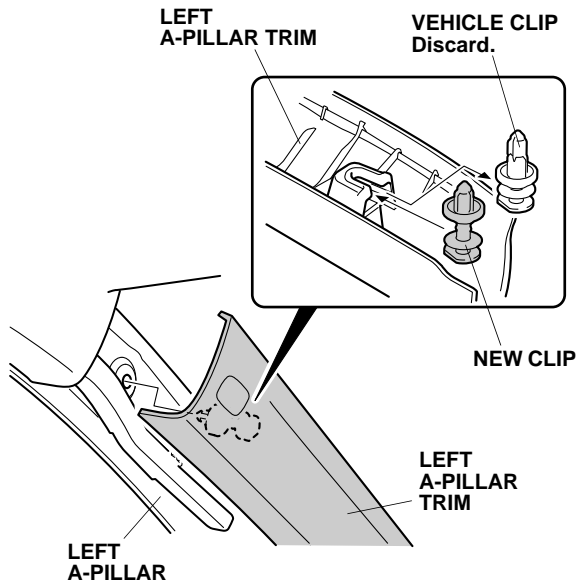
30. Remove and discard the upper bolt from the hood opener, and install the supplied ground bolt with the automatic day/night mirror harness ground terminal attached.



31. Secure the automatic day/night mirror harness to the vehicle harness with three wire ties.



32. Remove and discard the vehicle clip from the left A-pillar trim, and install the new clip supplied. Reinstall the left A-pillar trim.



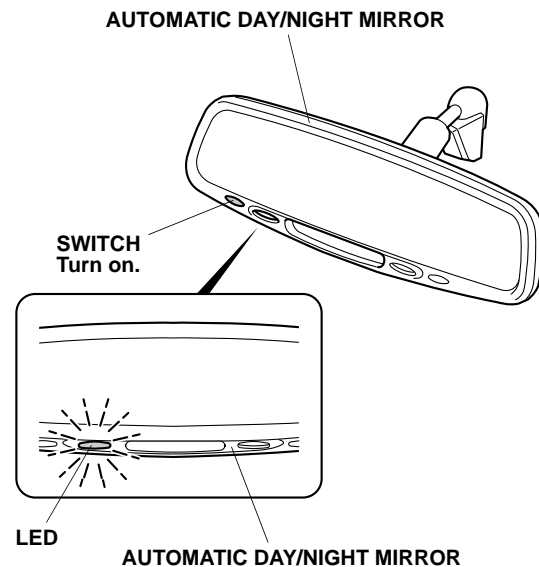
33. Check that all wire harnesses are routed properly and all connectors are plugged in.
34. Reconnect the negative cable to the battery.
35. Enter the anti-theft code for the audio unit or the audio-navigation unit.
36. Reset the clock.
37. Reinstall all removed parts.
38. If the IMA battery level gauge (BAT) displays less than half, start the engine and hold it between 3,500 and 4,000 rpm (in Park or Neutral) until the IMA level gauge (BAT) displays at least half.

**NOTE:**

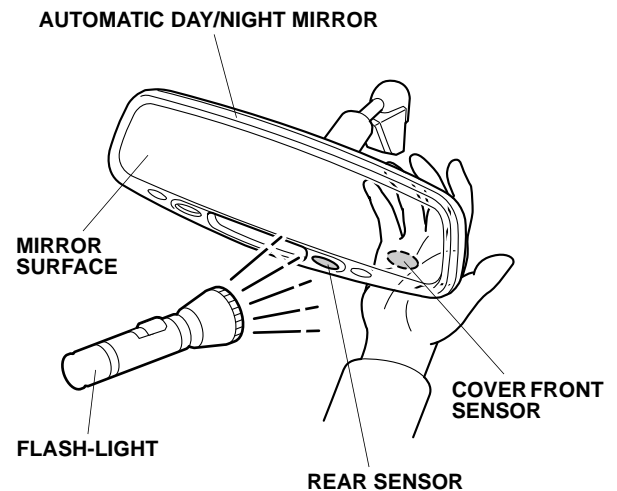
- Calibrate the compass according to the supplied Accessory User's Information Manual.
- Store the Accessory User's Information Manual in the glove box.

**Function Check**

1. Turn the ignition switch to ON (II), but do not start the engine.



2. Turn the switch on. Check that the LED glows properly.
3. Cover the front sensor on the automatic day/night mirror with your hand, and use a flash-light to light the rear sensor on the automatic day/night mirror. Check to make sure the mirror surface becomes dim.



4. Step on the brake pedal, and move the shift lever to the "R" position. Repeat step 3, and check to make sure the mirror surface does not become dim.
  - Make sure that the parking brake is applied before shifting into the "R" position.
  - If the automatic day/night mirror does not function properly, check the fuse and all connectors, including the ground cable.