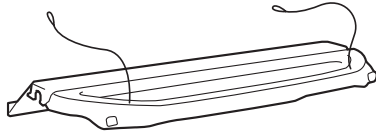
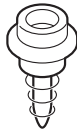


PARTS LIST

Cargo cover



5 Snaps



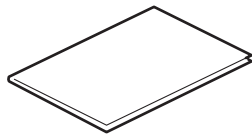
5 Covers



2 Clips



Accessory User's Information Manual



TOOLS AND SUPPLIES REQUIRED

Tape measure

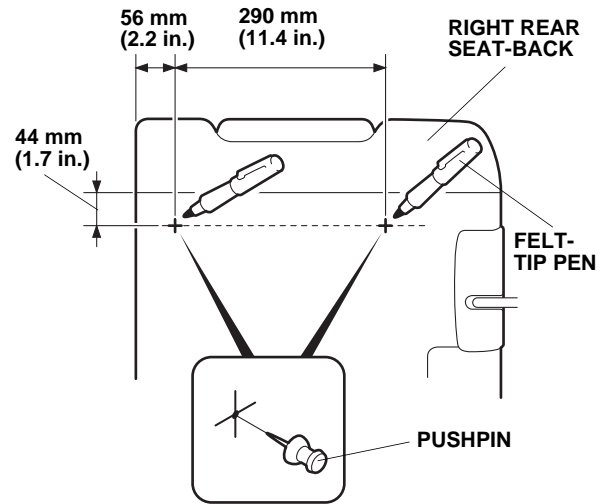
Phillips screwdriver

Pushpin

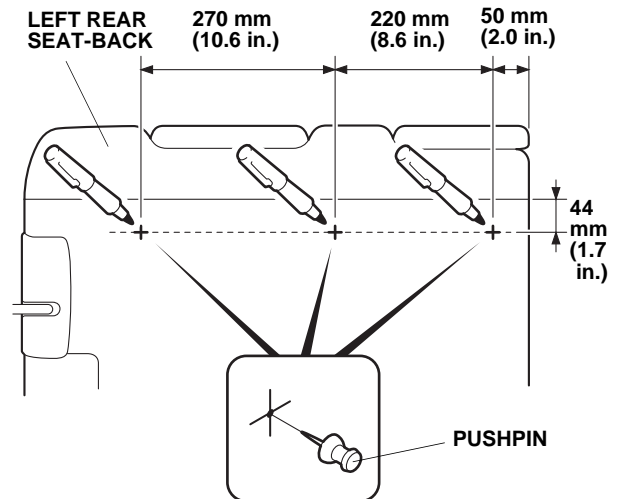
Felt-tip pen

INSTALLATION

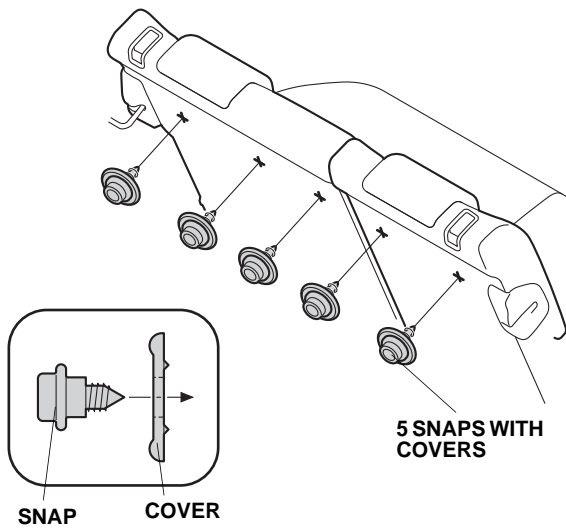
1. Measure and mark the right rear seat-back at the two locations shown. Use your finger to confirm the location of each predrilled hole in the seat-back.



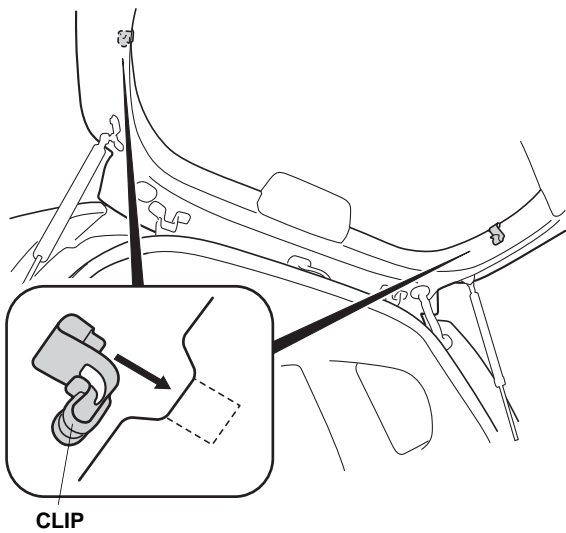
2. Using a pushpin, pierce the material at each mark.
3. Measure, mark, confirm, and pierce the left seat-back using the same procedure.



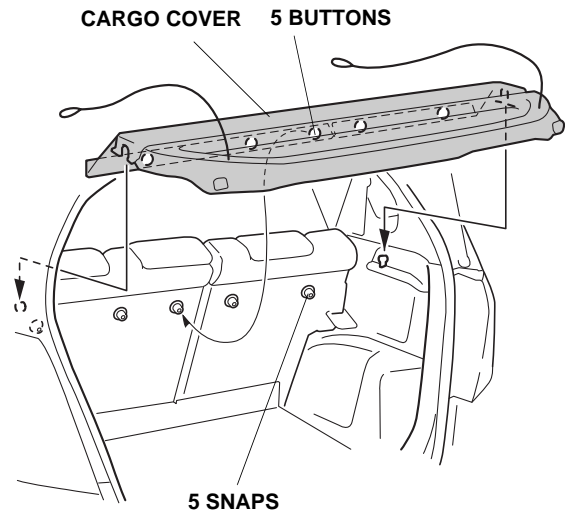
4. Insert the snaps through the covers, then install the snaps at the pierced marks.



5. Install one clip to the inside of the tailgate frame on each side of the tailgate.



6. Place the cargo cover in the cargo area, and snap the five buttons on the cover to the five snaps on the seat-back.



7. Hook the two cords on the cargo cover onto the clips on the tailgate.

