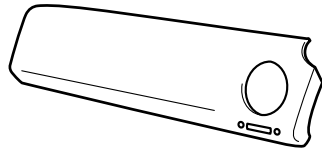


PARTS LIST**Interior Panel Kit A (Non Memory Seat Model)**
P/N 08Z03-SZA-130B (Chocolate)
P/N 08Z03-SZA-140B (Brown)

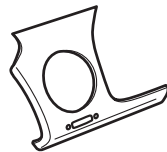
Passenger's interior panel



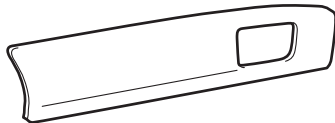
Driver's interior panel A



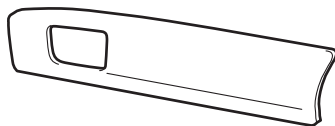
Driver's interior panel B



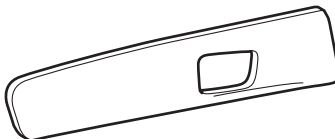
Left front door interior panel



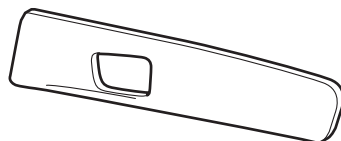
Right front door interior panel



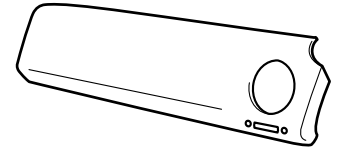
Left rear door interior panel



Right rear door interior panel

**Interior Panel Kit B (Memory Seat Model)**
P/N 08Z03-SZA-130D (Chocolate)
P/N 08Z03-SZA-140D (Brown)

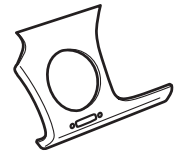
Passenger's interior panel



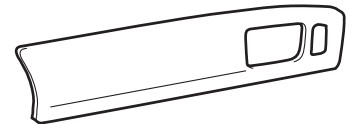
Driver's interior panel A



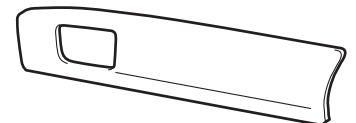
Driver's interior panel B



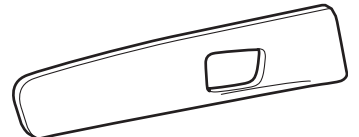
Left front door interior panel



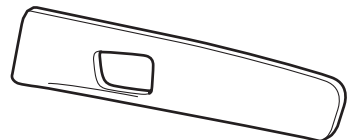
Right front door interior panel



Left rear door interior panel



Right rear door interior panel



TOOLS AND SUPPLIES REQUIRED

Tape
Masking tape
Shop towel
Isopropyl alcohol
Rubber roller
T/N: MHLE54D

INSTALLATION

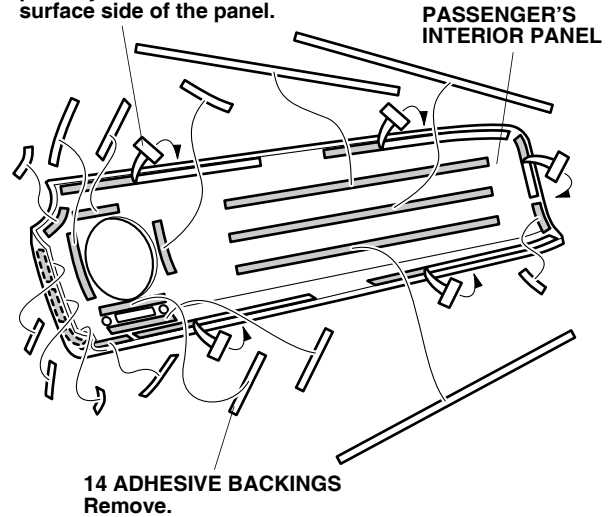
NOTE:

- Take care not to damage the vehicle body and the parts of the vehicle.
- Clean the surface where seal or double-sided adhesive tape will be attached using a shop towel dampened with the isopropyl alcohol, and allow the surface to dry thoroughly before attaching seal or double-sided adhesive tape.
- This interior panel kit should be installed only if the ambient air temperature is 15°C (60°F) or above.
- Make sure each panel is in the correct position before you attach it. Detaching an attached panel can damage it or weaken the bonding strength of the adhesive backing.

Installing the Passenger's Interior Panel

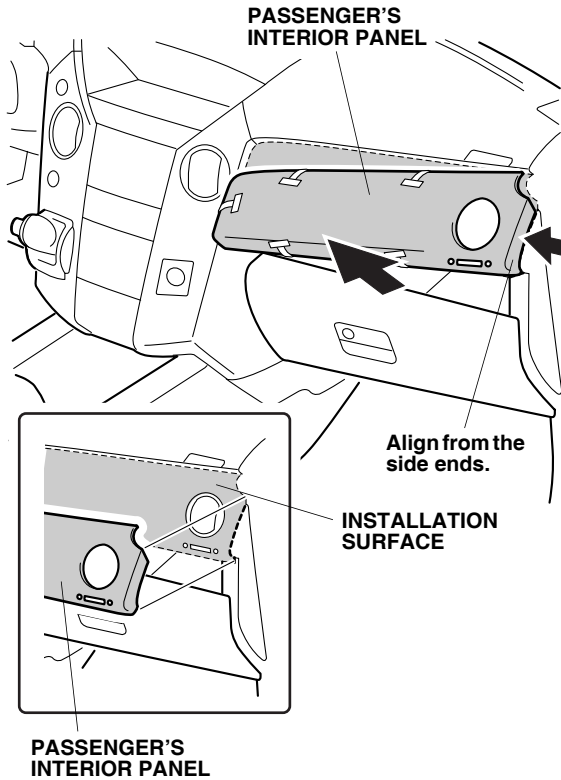
1. Check the surface where the passenger's interior panel will be attached and clean the surface using isopropyl alcohol on a shop towel.

5 ADHESIVE BACKINGS
Attach a piece of tape to an end.
Peel back the adhesive backing partway and attach it to the surface side of the panel.

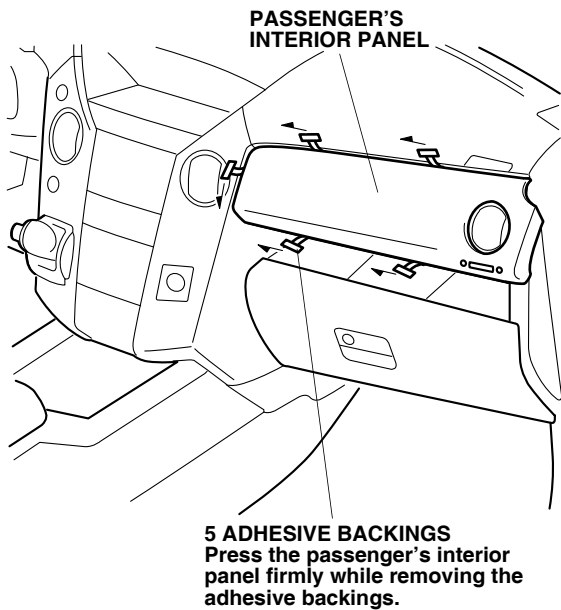


2. Attach a piece of tape to an end of the five adhesive backings on the backside of the passenger's interior panel. Peel back the adhesive backings partway and temporarily attach them to the surface side of the passenger's interior panel as shown.
3. Remove all of the remaining adhesive backings.

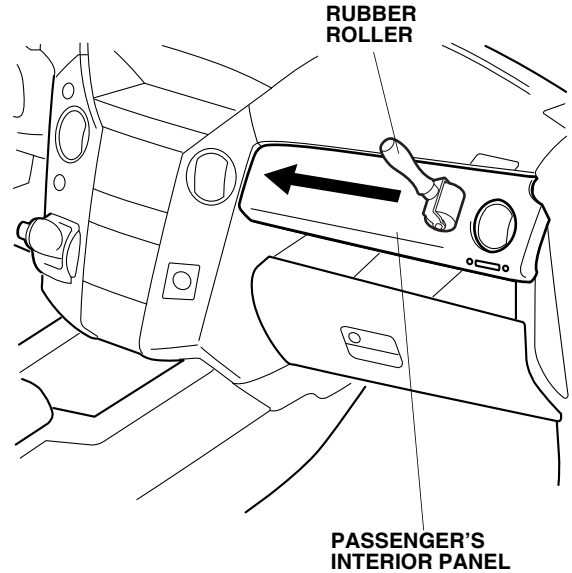
- Align and attach the passenger's interior panel from the side ends and press against the passenger's interior panel to the installation surface as shown.



- Press the passenger's interior panel firmly to attach while removing the adhesive backings that you temporarily attached to the surface side.

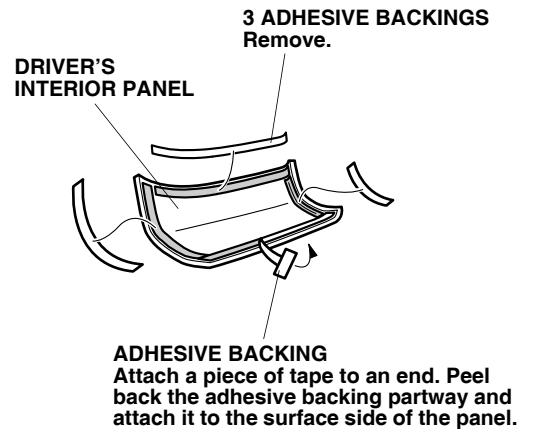


- Using a rubber roller, apply pressure against the passenger's interior panel and roll from one end to the other.



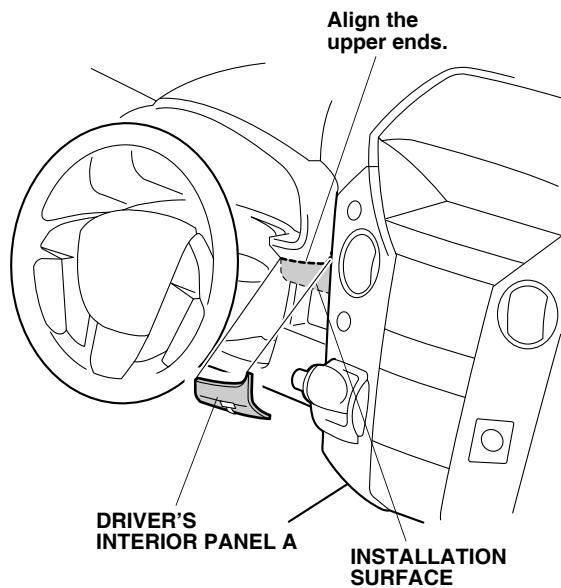
Installing the Driver's Interior Panel A

- Check the surface where the driver's interior panel A will be attached and clean the surface using isopropyl alcohol on a shop towel.

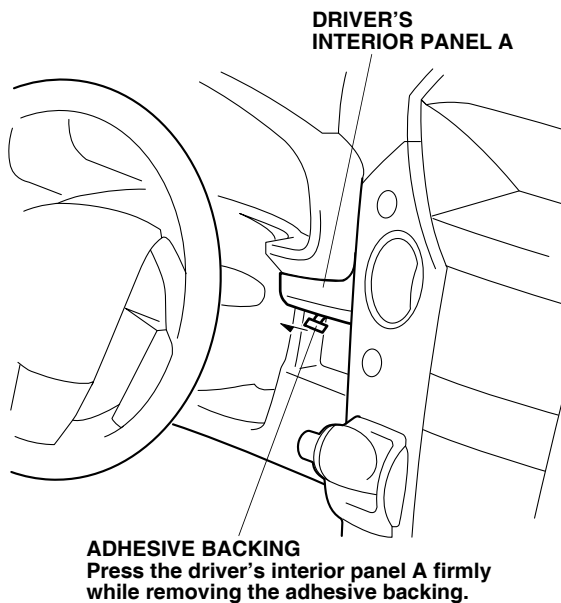


- Attach a piece of tape to an end of the one adhesive backing on the backside of the driver's interior panel A. Peel back the adhesive backing partway and temporarily attach them to the surface side of the driver's interior panel A as shown.
- Remove all of the remaining adhesive backings.

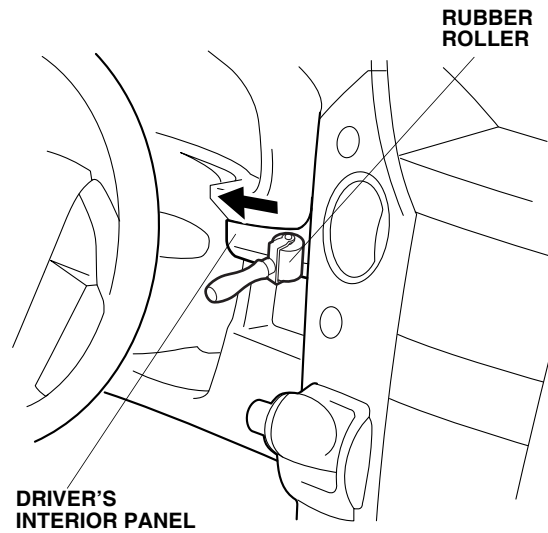
- Align the driver's interior panel A with the surface where it is to be attached.



- Press the driver's interior panel A firmly to attach while removing the adhesive backing that you temporarily attached to the surface side.

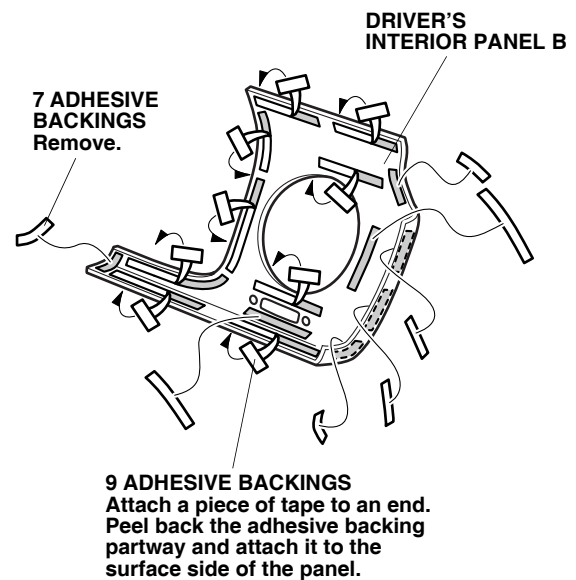


- Using a rubber roller, apply pressure against the driver's interior panel A and roll from one end to the other.



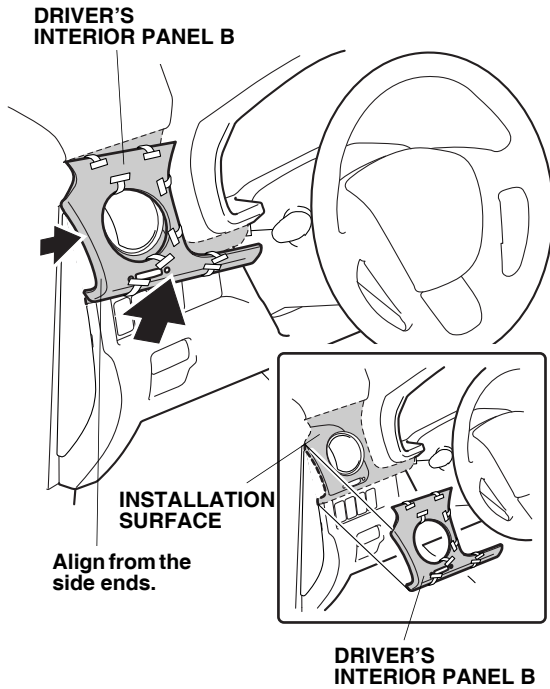
Installing the Driver's Interior Panel B

- Check the surface where the driver's interior panel B will be attached and clean the surface using isopropyl alcohol on a shop towel.

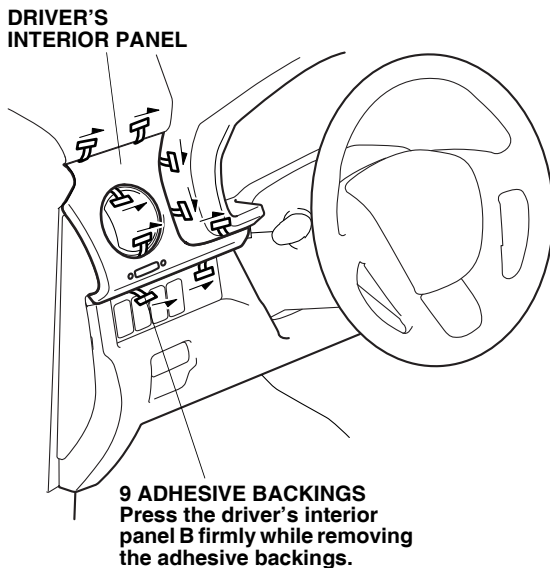


- Attach a piece of tape to an end of the nine adhesive backings on the backside of the driver's interior panel B. Peel back the adhesive backings partway and temporarily attach them to the surface side of the driver's interior panel B as shown.
- Remove all of the remaining adhesive backings.

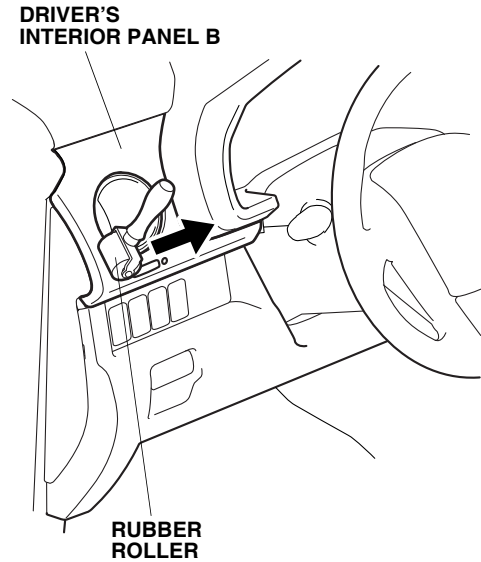
16. Align and attach the driver's interior panel B from the side ends and press against the driver's interior panel B to the installation surface as shown.



17. Press the driver's interior panel B firmly to attach while removing the adhesive backings that you temporarily attached to the surface side.



18. Using a rubber roller, apply pressure against the driver's interior panel B and roll from one end to the other.

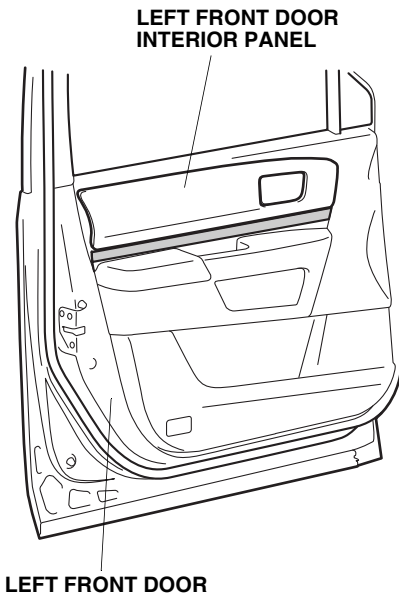


Installing the Front Door Interior Panel

Non memory seat model: Perform steps 19 through 26.
Memory seat model: Perform steps 27 through 34.

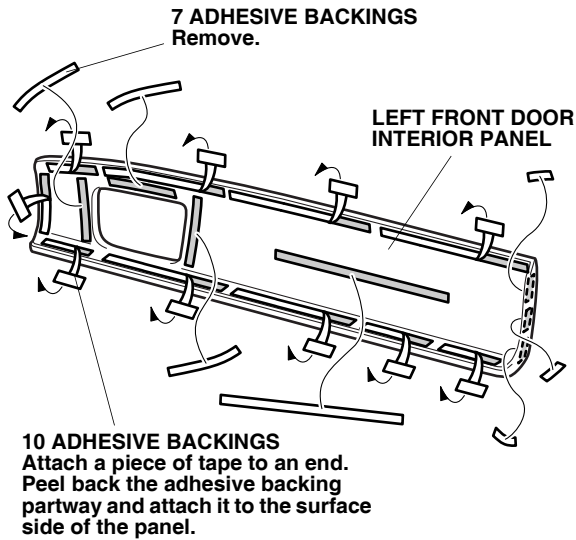
Non memory seat model

19. Align and hold the left front door interior panel to the installation surface.

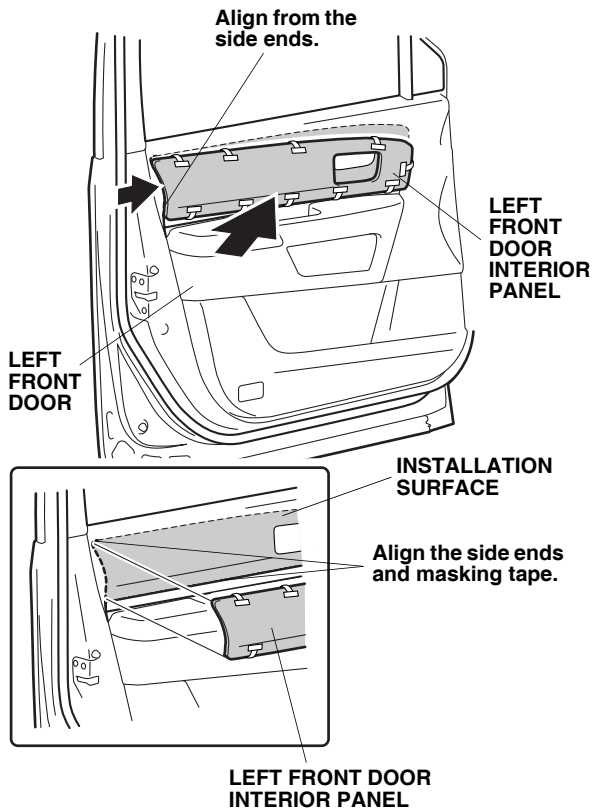


20. Using isopropyl alcohol on a shop towel, clean the area where the left front door interior panel will attach.

21. Attach a piece of tape to an end of the ten adhesive backings on the backside of the left front door interior panel. Peel back the adhesive backings partway and temporarily attach them to the surface side of the left front door interior panel as shown.

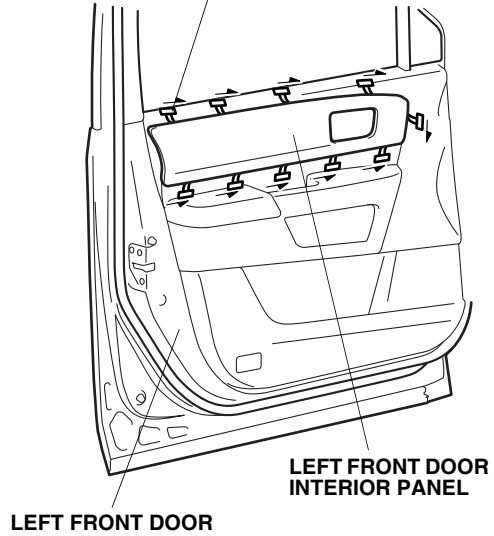


22. Remove all of the remaining adhesive backings.
23. Align and attach the left front door interior panel from the side ends and press against the left front door interior panel to the installation surface as shown.

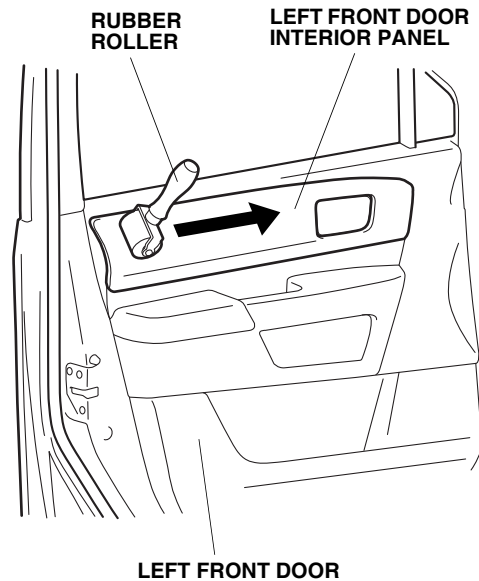


24. Press the left front door interior panel firmly to attach while removing the adhesive backings that you temporarily attached to the surface side.

10 ADHESIVE BACKINGS
Press the left front door interior panel firmly while removing the adhesive backings.



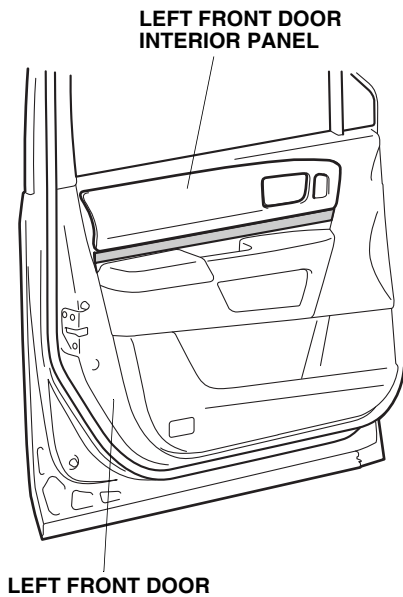
25. Using a rubber roller, apply pressure against the left front door interior panel and roll from one end to the other.



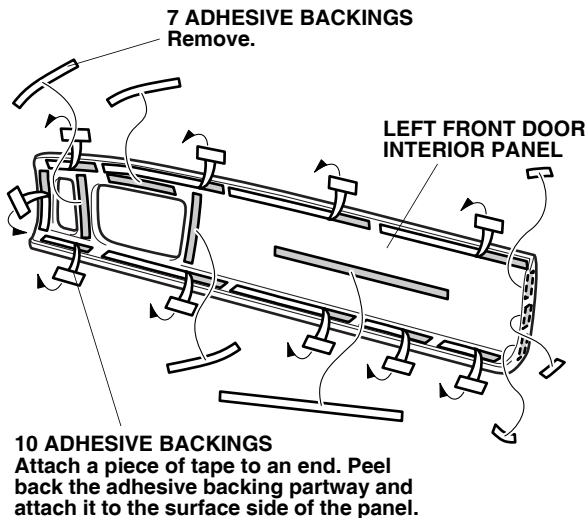
26. Repeat the procedure on the right side. Go to step 35.

Memory seat model

27. Align and hold the left front door interior panel to the installation surface.

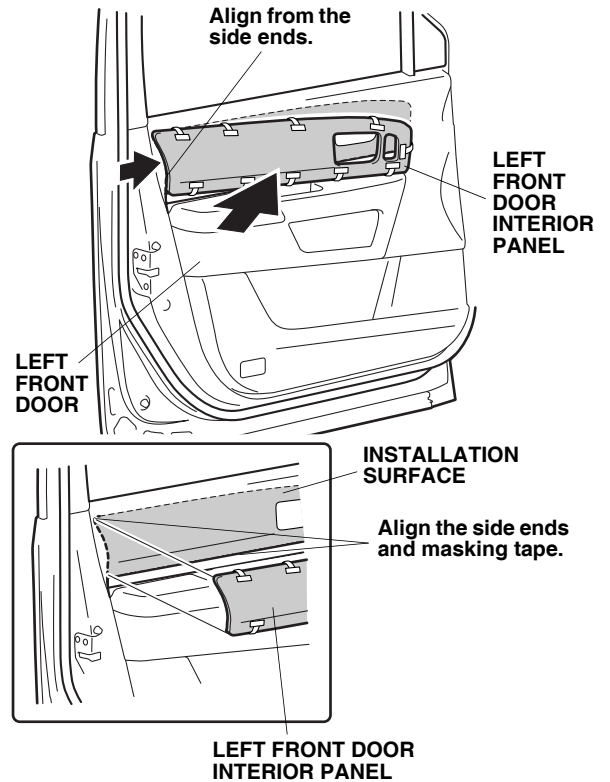


28. Using isopropyl alcohol on a shop towel, clean the area where the left front door interior panel will attach.
29. Attach a piece of tape to an end of the ten adhesive backings on the backside of the right front door interior panel. Peel back the adhesive backings partway and temporarily attach them to the surface side of the left front door interior panel as shown.



30. Remove all of the remaining adhesive backings.

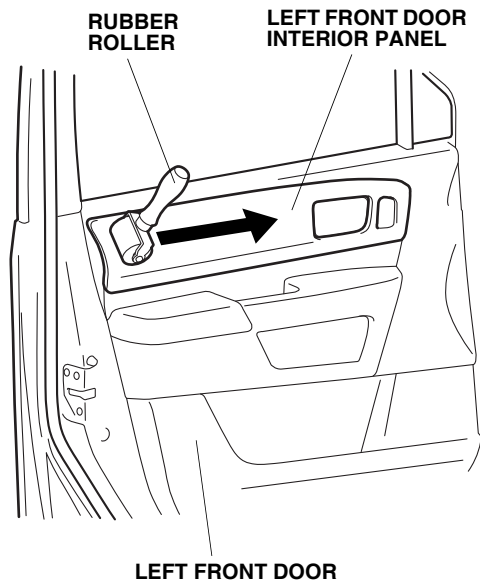
31. Align and attach the left front door interior panel from the side ends and press against the left front door interior panel to the installation surface as shown.



32. Press the left front door interior panel firmly to attach while removing the adhesive backings that you temporarily attached to the surface side.



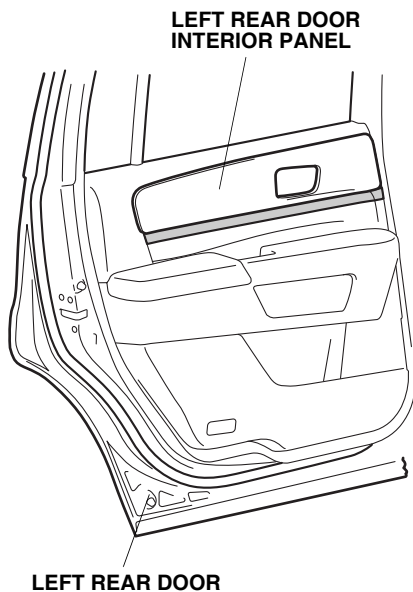
33. Using a rubber roller, apply pressure against the left front door interior panel and roll from one end to the other.



34. Repeat the procedure on the right side.

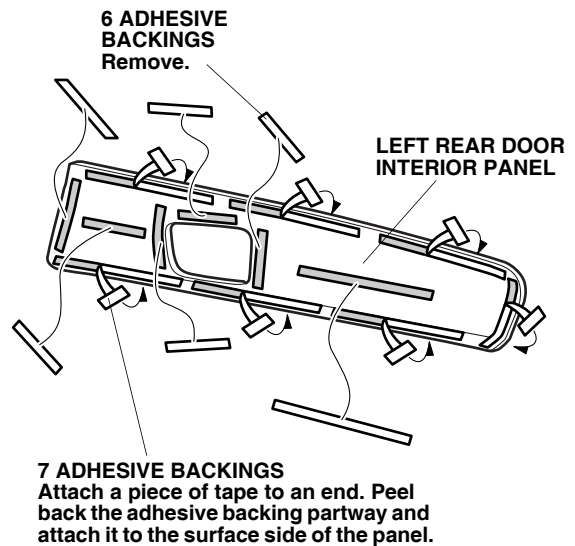
Installing the Rear Door Interior Panel

35. Align and hold the left rear door interior panel to the installation surface.

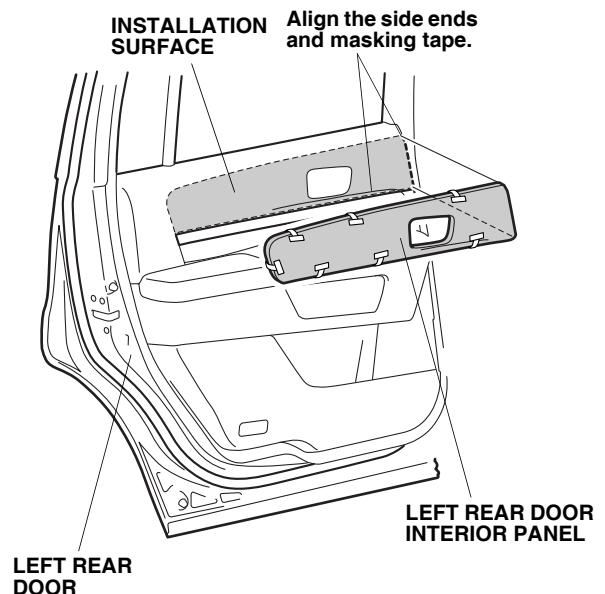


36. Using isopropyl alcohol on a shop towel, clean the area where the left rear door interior panel will attach.

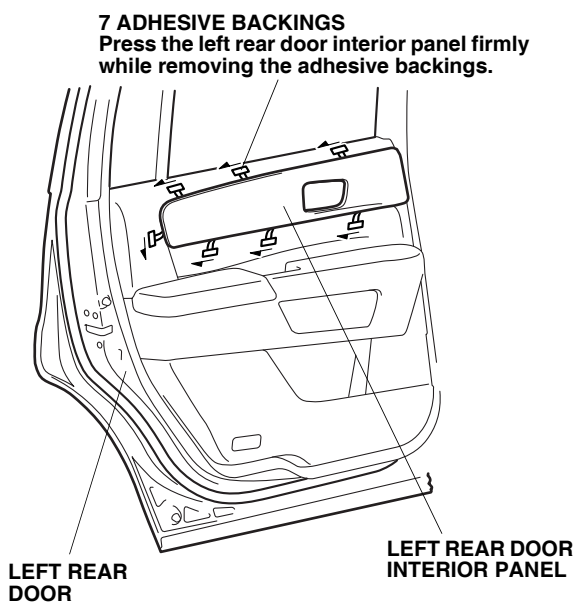
37. Attach a piece of tape to an end of the seven adhesive backings on the backside of the left rear door interior panel. Peel back the adhesive backings partway and temporarily attach them to the surface side of the left rear door interior panel as shown.



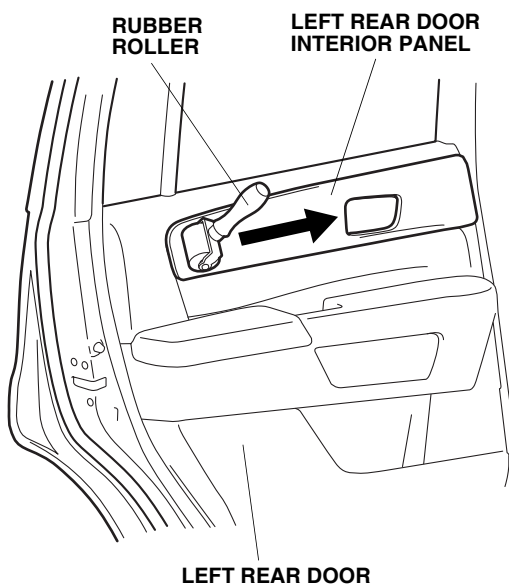
38. Remove all of the remaining adhesive backings.
39. Align the left rear door interior panel with the surface where it is to be attached.



40. Press the left rear door interior panel firmly to attach while removing the adhesive backings that you temporarily attached to the surface side.



41. Using a rubber roller, apply pressure against the left rear door interior panel and roll from one end to the other.



42. Repeat the procedure on the right side.