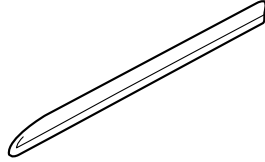
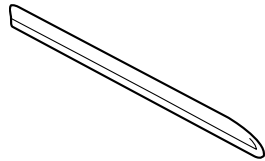


## PARTS LIST

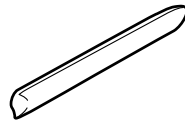
Left front body side molding



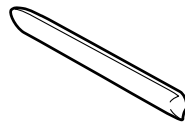
Right front body side molding



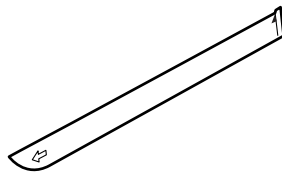
Left rear body side molding



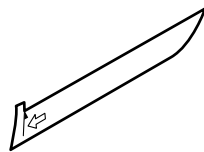
Right rear body side molding



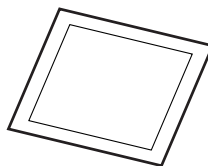
Front template



Rear template



4 Alcohol swabs

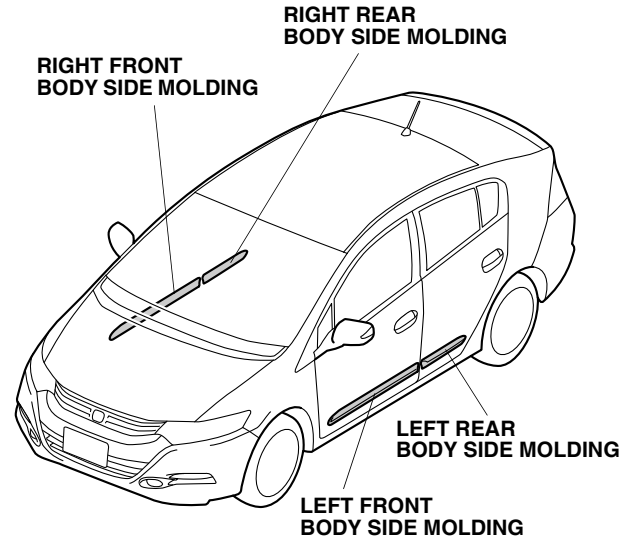


## TOOLS AND SUPPLIES REQUIRED

Masking tape

Rubber roller (T/N MHLE54D)

### Illustration of the Side Protectors Installed on the Vehicle



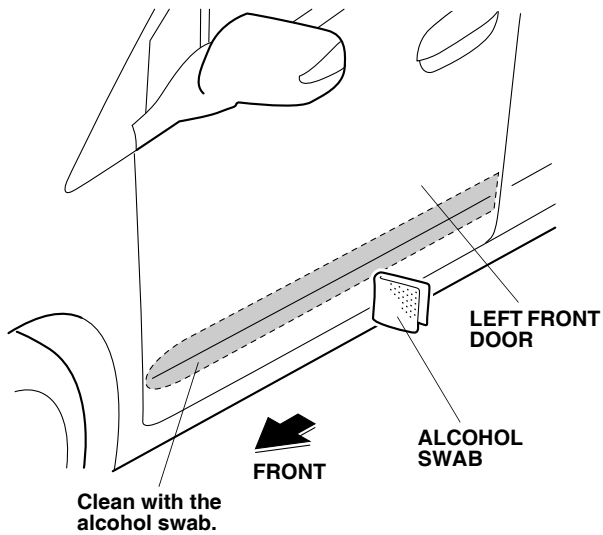
## INSTALLATION

**Customer Information:** The information in this installation instruction is intended for use only by skilled technicians who have the proper tools, equipment, and training to correctly and safely add equipment to your vehicle. These procedures should not be attempted by “do-it-yourselfers.”

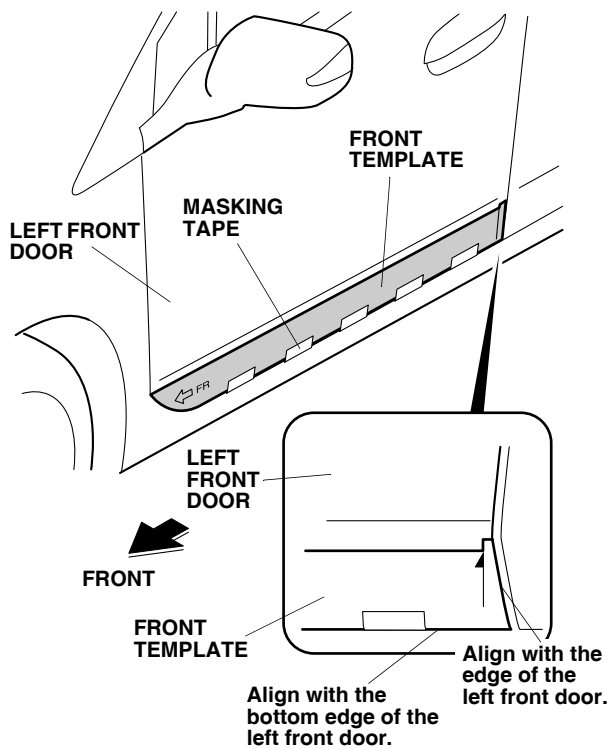
### NOTE:

- Be careful not to damage the body paint finish.
- Body side moldings should only be installed if the ambient air temperature is 15°C (60°F) or above.
- To allow the adhesive to cure, do not wash the vehicle for 24 hours. Please advise the customer.
- These installation instructions show the left body side moldings being installed. The same procedure applies to installing the right body side moldings.

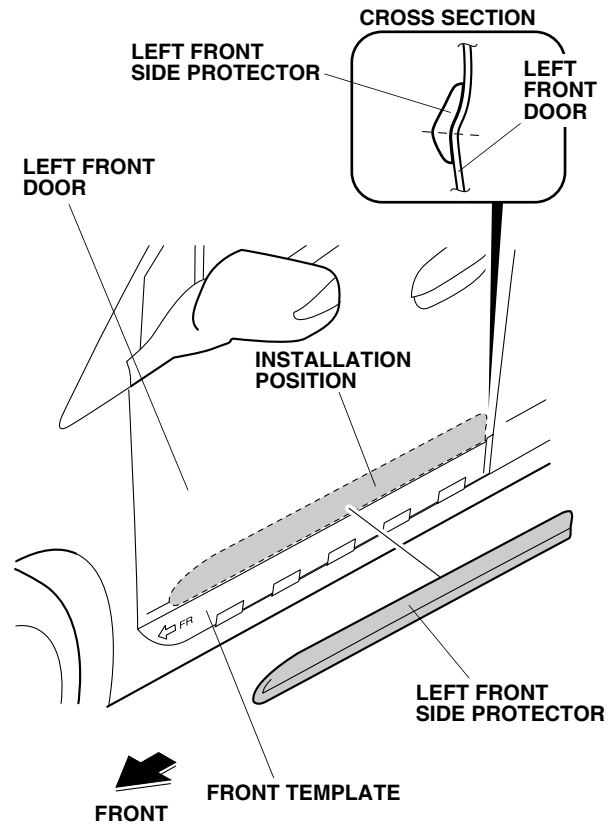
- Using one alcohol swab, clean the area where the left body side molding will attach.



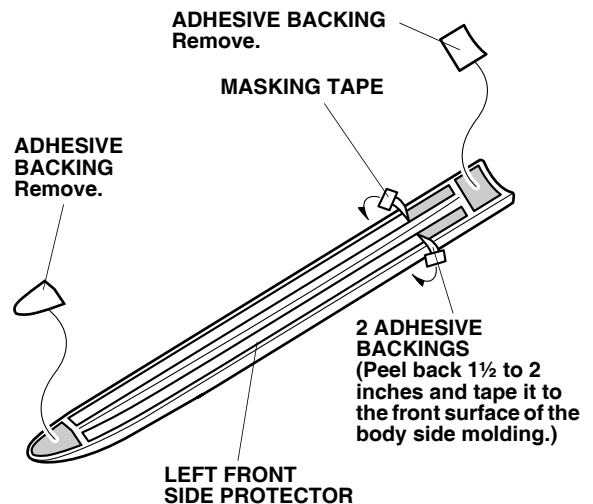
- Align the front template to the left front door and attach the template to the door using strips of masking tape.



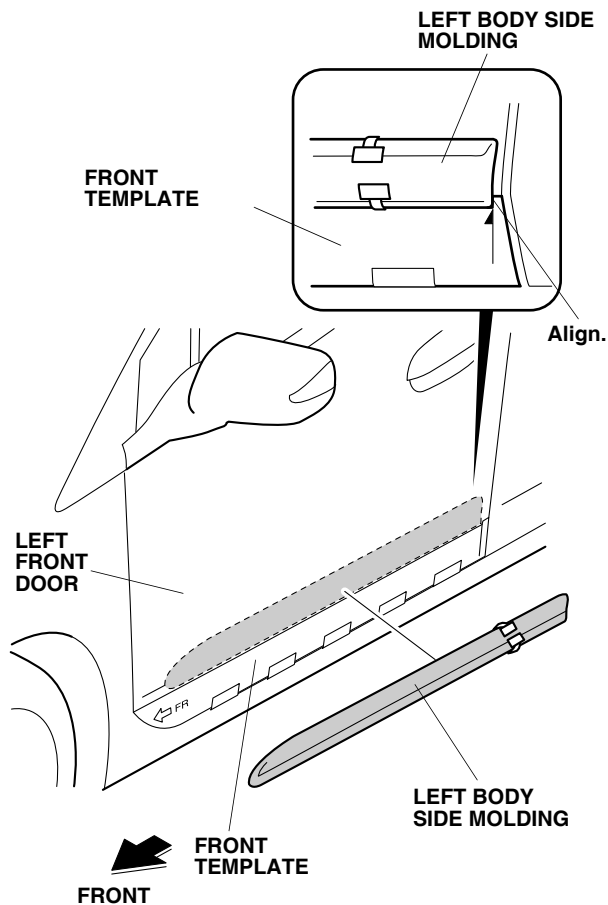
- Place the left front body side molding against the template to verify the installation position on the left front door. Remove the body side molding.



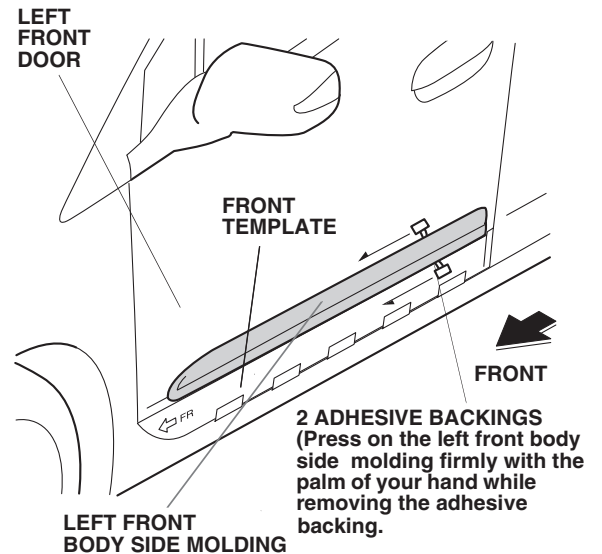
- Peel back approximately 1½ to 2 inches of adhesive backing from each adhesive tape, and tape the ends to the front surface of the body side molding. Remove the small end pieces of the adhesive backing.



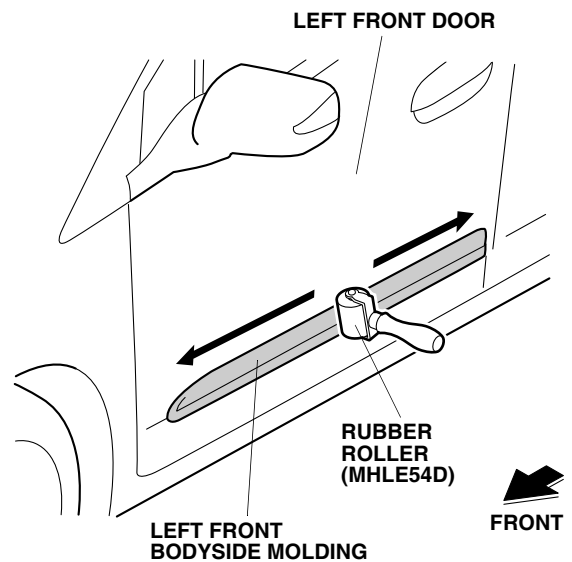
- Align the left front body side molding with the front template, and attach it to the left front door. If the vehicle has door edge film installed, align the end with the door edge film.



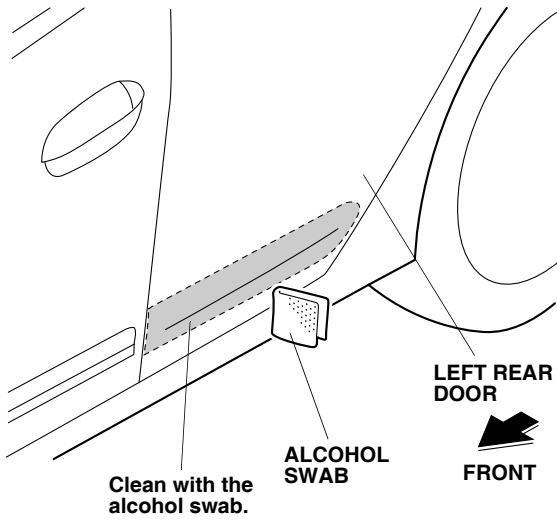
- Press on the left front body side molding firmly with the palm of your hand while removing the adhesive backings. Remove about 2 to 4 inches at a time while pressing on the molding with the palm of your hand.



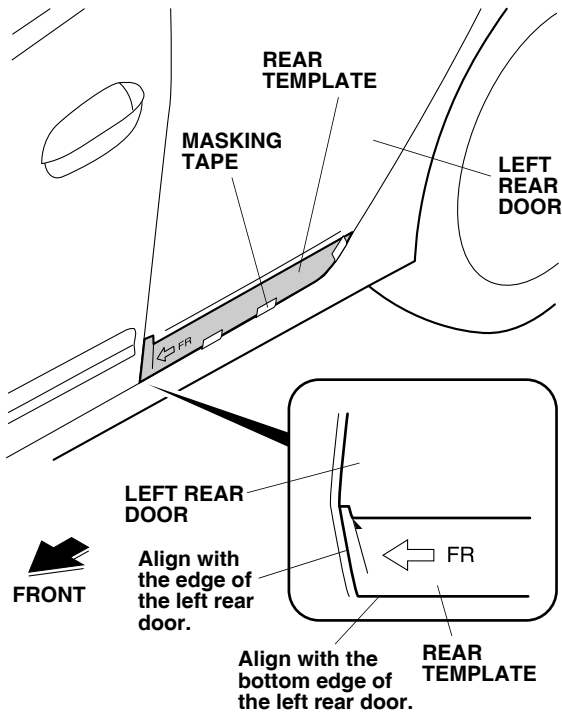
- Remove the front template.
- Using a rubber roller, apply pressure against the left front side protector and roll from one end to the other to set the adhesive.



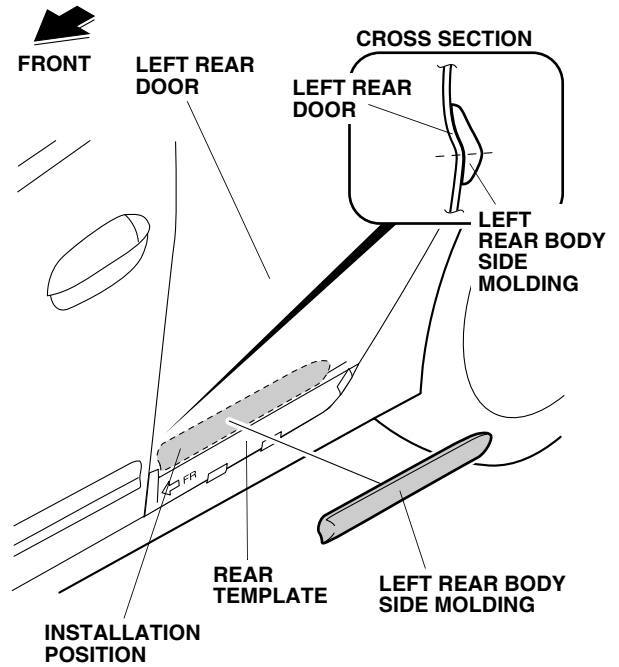
- Using one alcohol swab, clean the area where the left rear body side molding will attach.



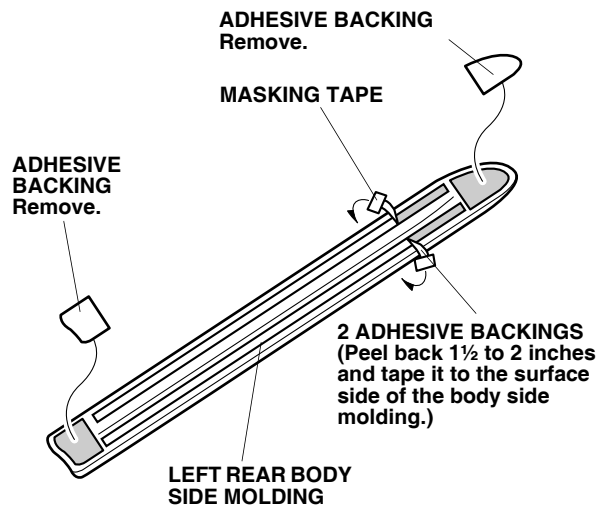
- Align the rear template to the left rear door and attach the template to the door using strips of masking tape.



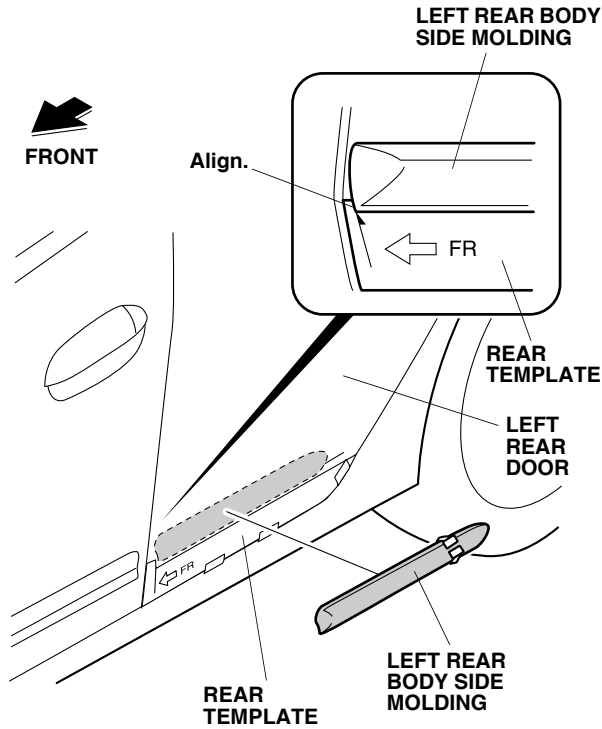
- Place the left rear body side molding against the rear template to verify the installation position on the left rear door. Remove the body side molding.



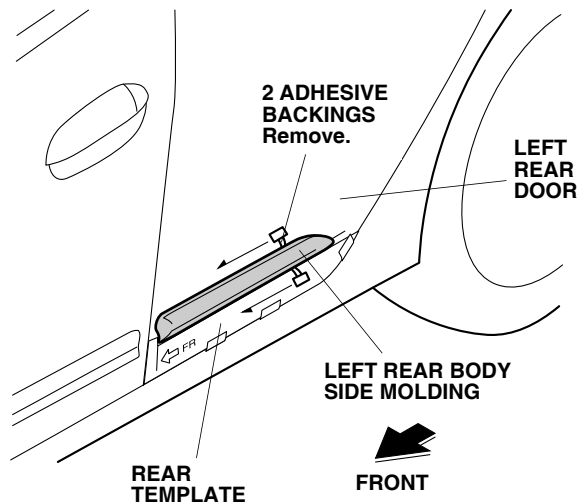
- Peel back approximately 1½ to 2 inches of the adhesive backing from each adhesive tape, and tape the ends to the outside surface of the body side molding. Remove the small end pieces of the adhesive backing.



- Align the left rear body side molding with the rear template, and attach it to the left rear door.

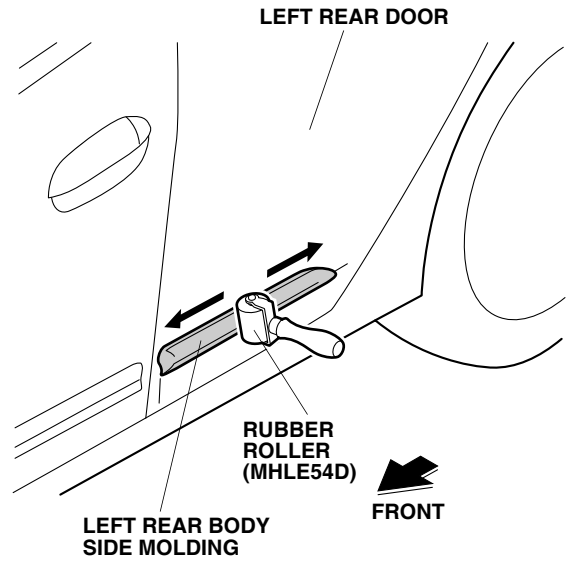


- Press on the left rear body side molding firmly with the palm of your hand while removing the adhesive backings. Remove about 2 to 4 inches at a time.



- Remove the rear template.

- Using a rubber roller, apply pressure against the left rear body side molding and roll from one end to the other to set the adhesive.



- Turn the template over, and repeat steps 1 thru 16 to install the body side moldings on the right side of the vehicle.