



INSTALLATION INSTRUCTIONS

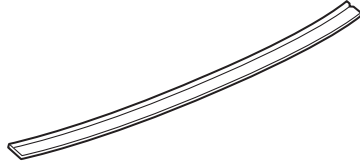
Accessory
DOOR EDGE FILMS
P/N 08P20-SVA-100A

Application
2010 CIVIC
2-DOOR

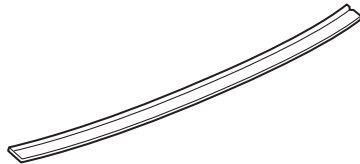
Publications No.
All 42485
Issue Date
AUG 2009

PARTS LIST

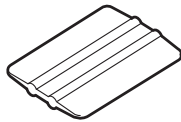
Right door edge film



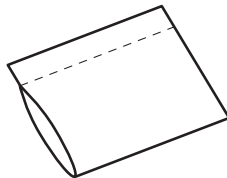
Left door edge film



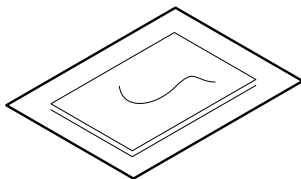
Applicator



Soft sleeve



2 Alcohol swabs



TOOLS AND SUPPLIES REQUIRED

Shop towel

Spray bottle

3M Protective tape application solution

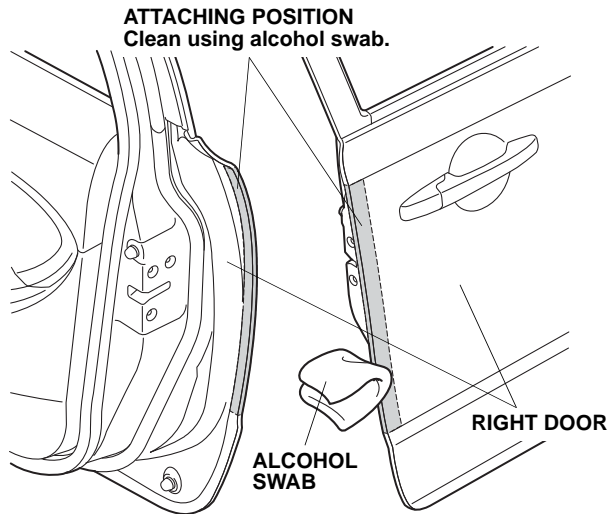
INSTALLATION

NOTE:

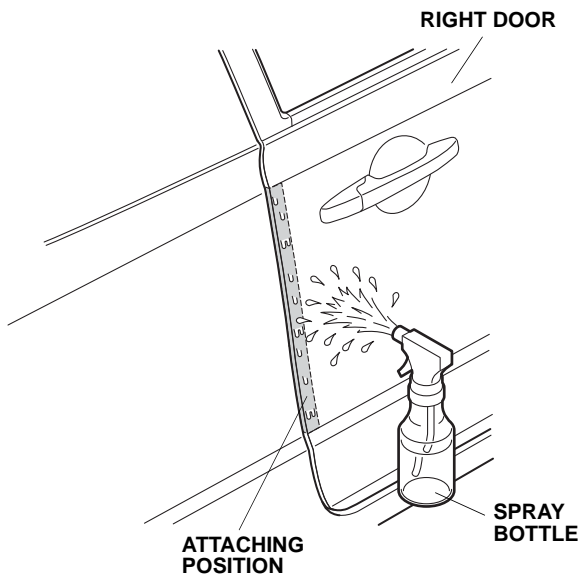
- These instructions show the right door edge film being installed. The same procedure applies to installing the left door edge film.
- Identify each door edge film by referring to the identification marks.
- Be careful not to damage the body paint finish.
- The door edge films should be installed only if the ambient air temperature is 15°C (60°F) or above. Heat the door edge films and bonding surfaces with a hair dryer set on LOW if the ambient air temperatures is below.
- To allow the adhesive to cure, do not wash the vehicle for 24 hours.

Installing the Door Edge Films

1. Open the right door.



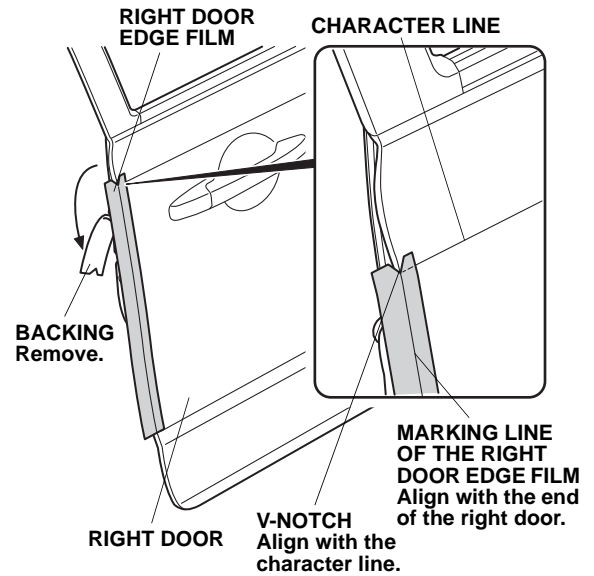
2. Using an alcohol swab, thoroughly clean the area where the right door edge film will attach.
3. Close the right door.



4. Using a spray bottle with 3M protective tape application solution, spray the area where the right door edge film will attach.

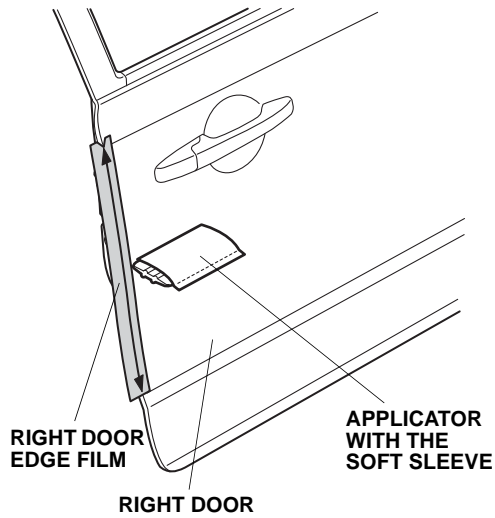
NOTE: Do not spray on the inner side of the cabin where the right door edge film will attach.

5. Open the right door.

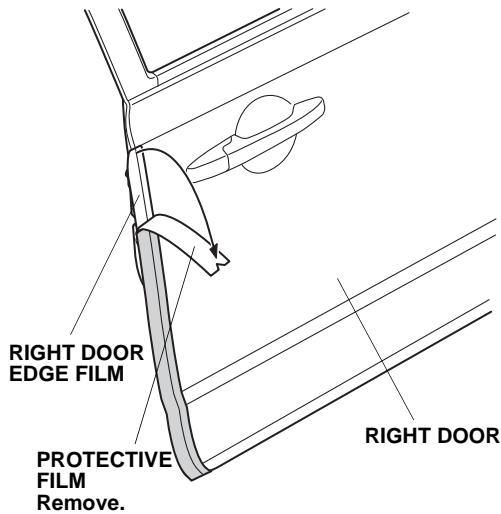


6. Turn back an end of the backing on the backside of the right door edge film partway, and align the V-notch in the right door edge film with the end of the character line on the upper part of the right door.
7. While removing the backing on the backside of the right door edge film slowly, attach the right door edge film to the right door securely. Align the marking line of the right door edge film with the end of the right door.

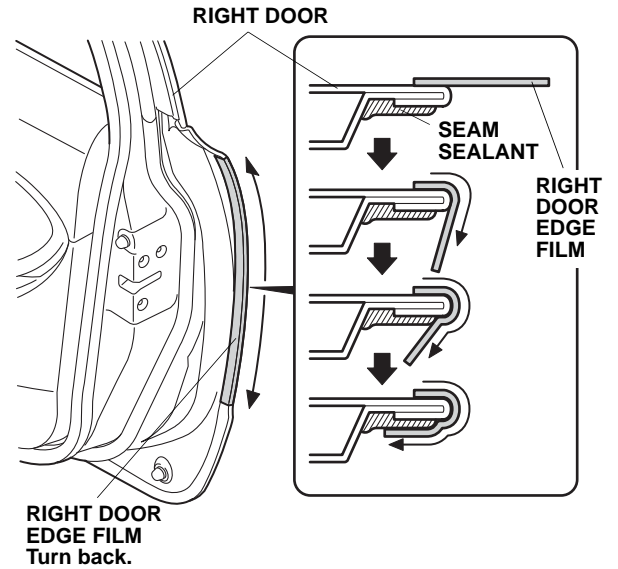
- Insert the applicator into the soft sleeve.



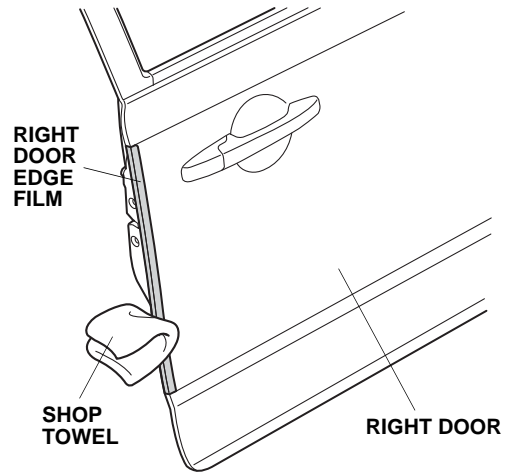
- Starting from the middle and working outward, use the applicator with the soft sleeve to smooth the right door edge film. Move the applicator with the soft sleeve in one direction only.
- Remove the protective film from the right door edge film slowly.



- Starting from the middle and working outward, turn back the right door edge film half to the cabin side of the right door as shown. Move your fingers in one direction only.



- Wipe up water from the right door edge film using a shop towel. Allow the right door edge film to dry thoroughly.



- Repeat steps 1 thru 12 on the left door.