

# HONDA INSTALLATION INSTRUCTIONS

Accessory  
**INTERIOR PANEL TRIM**  
P/N 08Z03-TA0-100

Application  
**2008 ACCORD**  
4-DOOR

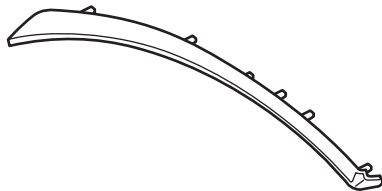
Publications No.  
**All 35363**  
Issue Date  
**AUG 2007**

## PARTS LIST

Driver's interior panel trim A

Driver's interior panel trim B

Passenger's interior panel trim

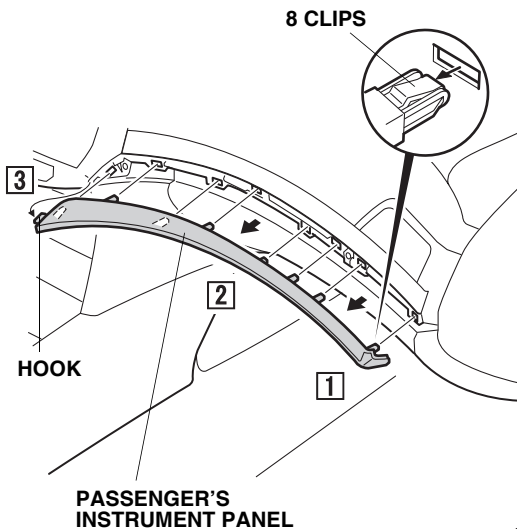


## INSTALLATION

**NOTE:** Install the accessory with care. Do not damage the vehicle body and the parts of the vehicle.

### Removing the Vehicle Parts

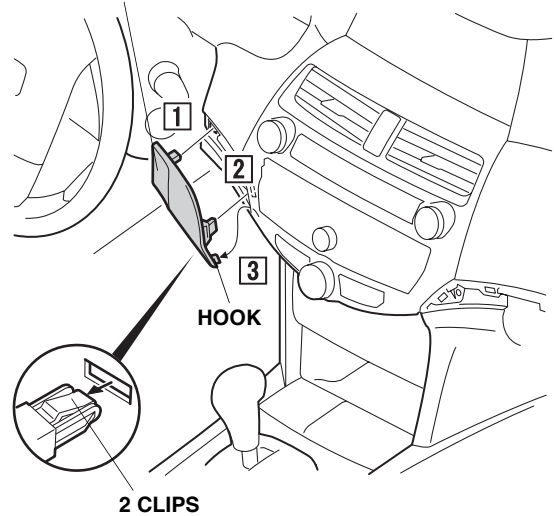
1. Remove the passenger's instrument panel trim (eight clips and one hook) Remove the clips in the order shown. Take care not to damage the hook  
**1** → **2** → **3**.



721201AB

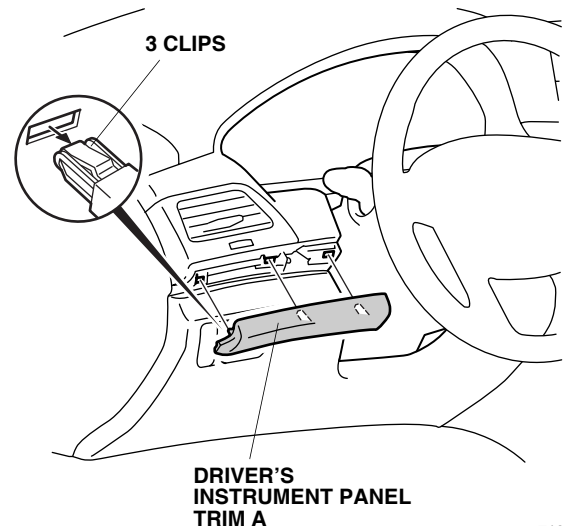
2. Remove driver's instrument panel trim B (two clips and one hook). Remove in order shown  
**1** → **2** → **3**. Take care not to damage the hook.

### DRIVER'S INSTRUMENT PANEL TRIM B



721202AB

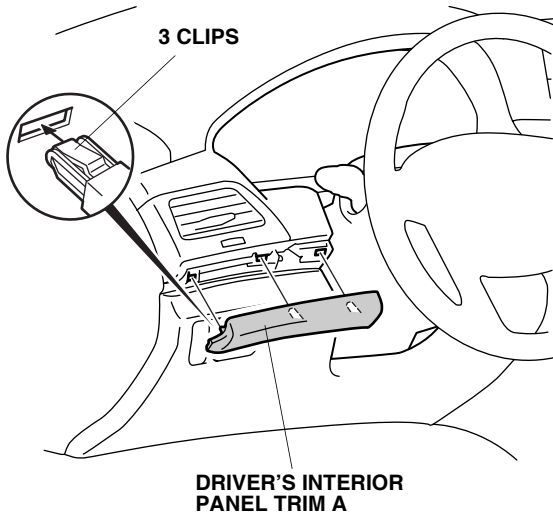
3. Remove driver's instrument panel trim A (three clips).



7131010E

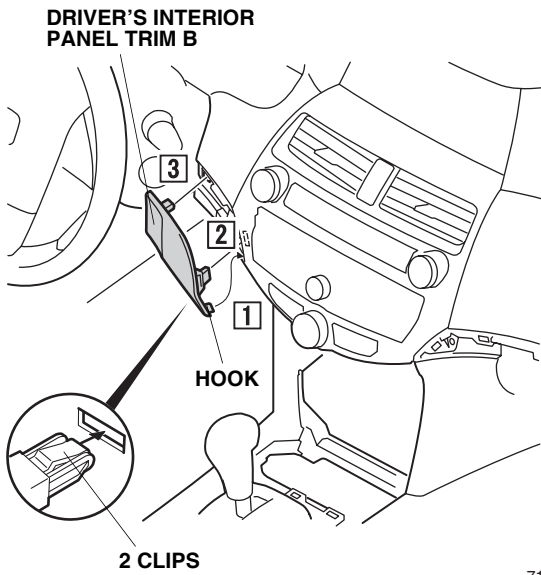
## Installing the Interior Panel Trim

4. Install driver's interior panel trim A (three clips).



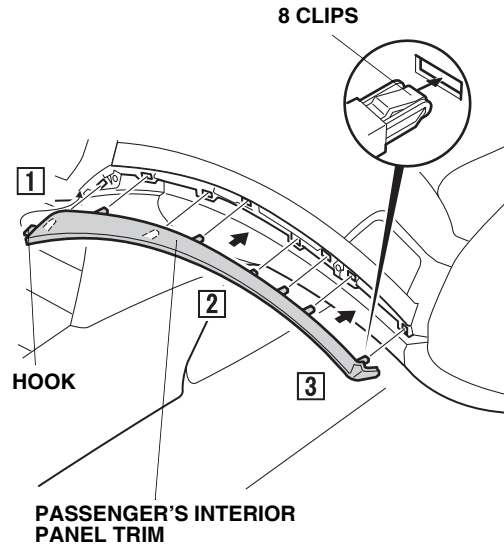
7131020E

5. Install driver's interior panel trim B (two clips and one hook). Install in the order shown. 1 → 2 → 3



713103AE

6. Install passenger's interior panel trim (eight clips and one hook). Install in the order shown. 1 → 2 → 3



713104AE