

PARTS LIST

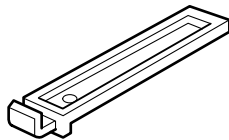
Right front door edge guards



Left front door edge guards



Hem sealant cutting tool

**TOOLS AND SUPPLIES REQUIRED**

Rubber mallet

Felt-tip pen

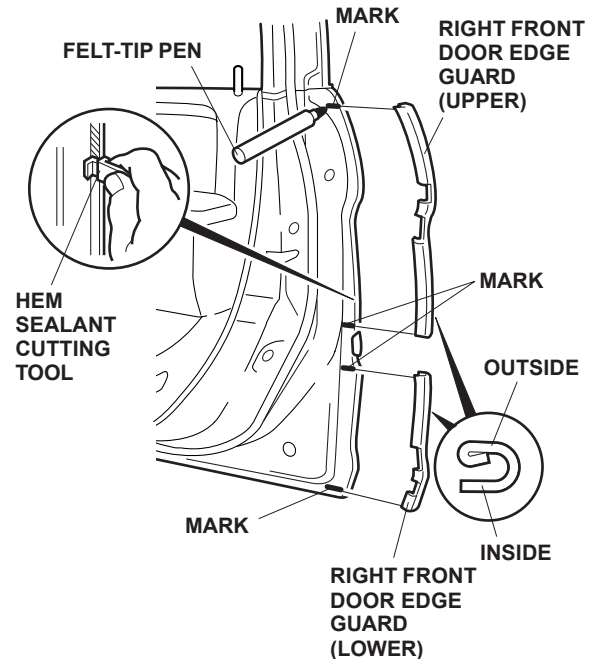
Touch-up paint

INSTALLATION

1. Clean and wax the area to be covered with a high-quality paste wax.
2. Identify each door edge guard by holding it up to the door and matching its contour with the door edge.

Installing the Front Door Edge Guards

3. Hold the right door edge guards against the inside edge of the door, and mark the sealant at the top and bottom ending points of the door edge guards.

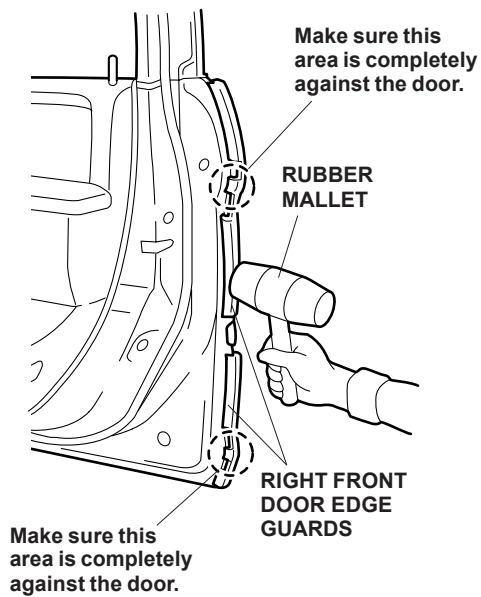
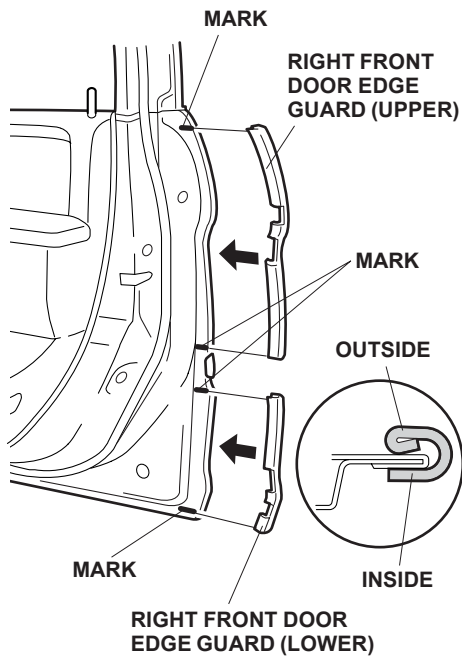


4. Position the hem sealant cutting tool against the door edge, and trim the seam sealant from mark to mark, top and bottom.

NOTE: The cutting tool only cuts in one direction. Move it upward on the right door, and downward on the left door.

5. Apply touch-up paint to the door, and let it dry.

6. Position the right door edge guards on the door edge, and tap them into position with a series of light taps using a rubber mallet.



7. Repeat steps 3 thru 6 to install the left front door edge guards.