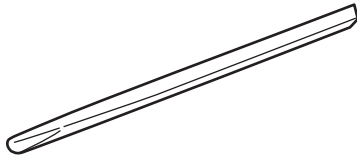
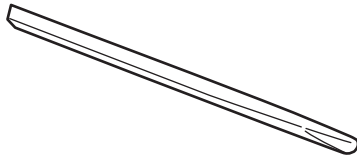


PARTS LIST

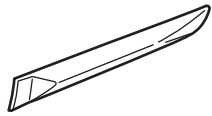
Left front side protector



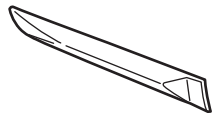
Right front side protector



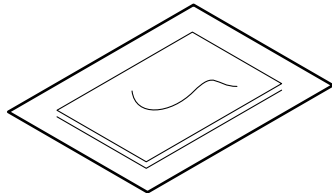
Left rear side protector



Right rear side protector



4 Alcohol pads


TOOLS AND SUPPLIES REQUIRED

Masking tape

Ruler

Isopropyl alcohol

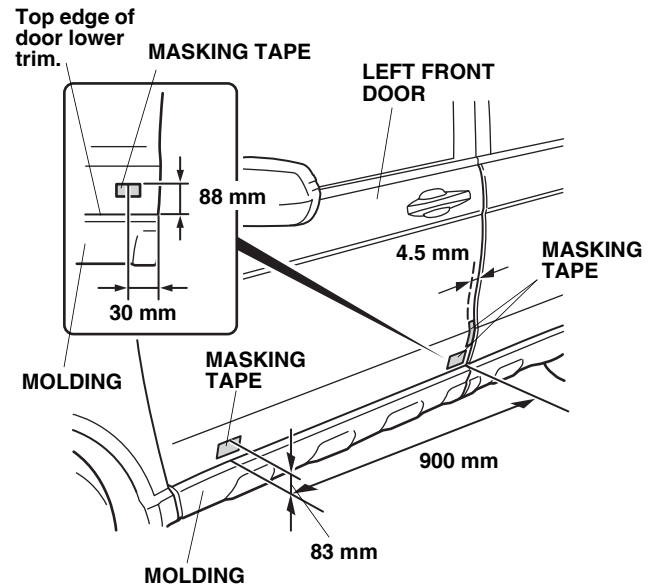
Shop towel

INSTALLATION

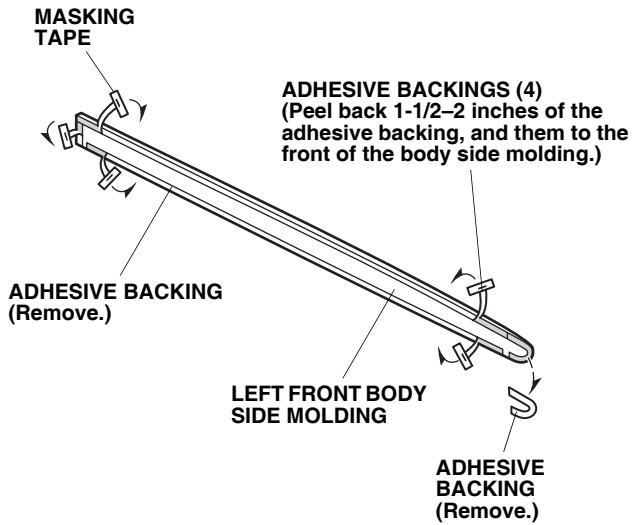
- Be careful not to damage the body paint finish.
- This body side molding kit should be installed only if the ambient air temperature is above 60°F (15°C).
- To allow the adhesive to “cure”, do not wash the vehicle for 24 hours.
- These instructions shows the left body side molding being installed; the same procedure applies to installing the right body side molding.

Installing the Body Side Molding

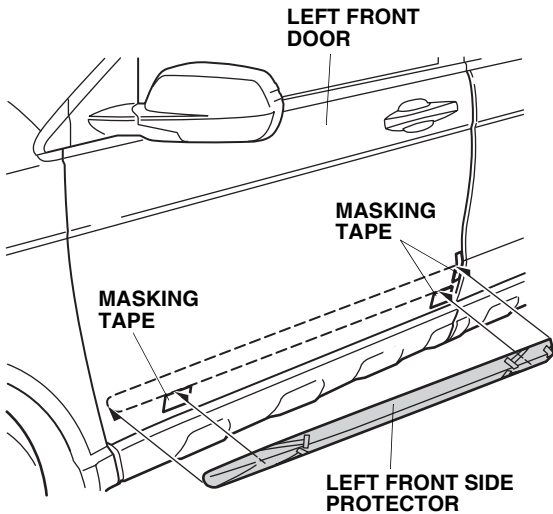
1. Measure and mark the left front door, and attach masking tape to the areas shown.



2. Peel back 1-1/2–2 inches of the adhesive backings, and tape them to the front of the body side molding. Remove the front adhesive backing.

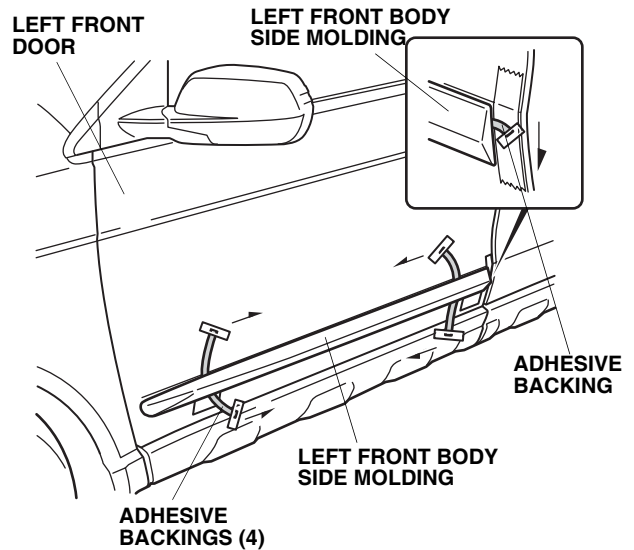


3. Using one alcohol pad, clean the door where the left front upper molding will attach.



4. Position the left front molding on the left front door, aligning it with the masking tape you attached in step 1.

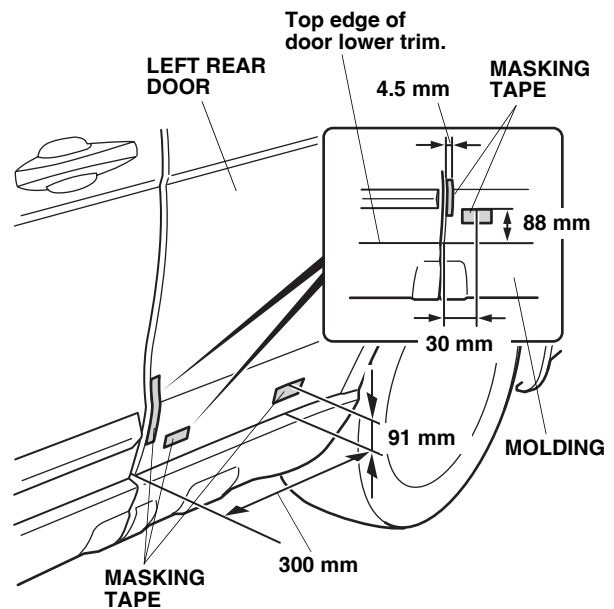
5. Press on the left front body side molding firmly with the palm of your hand while removing the adhesive backings. Remove about 50 to 100 mm at a time pressing on the molding with the palm of your hand.



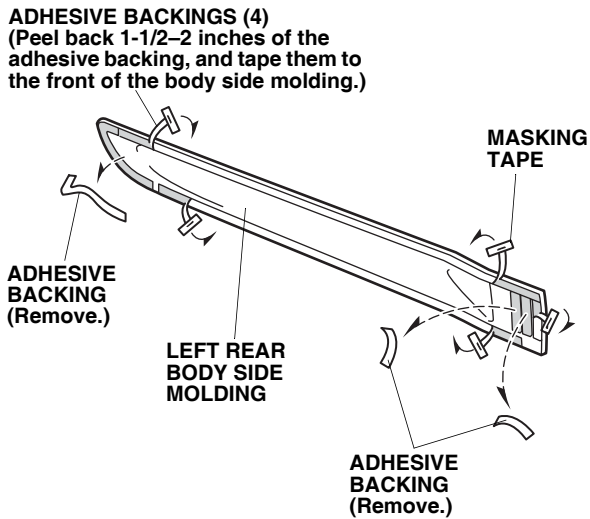
6. Remove the masking tape.

Installing the Rear Body Side Molding

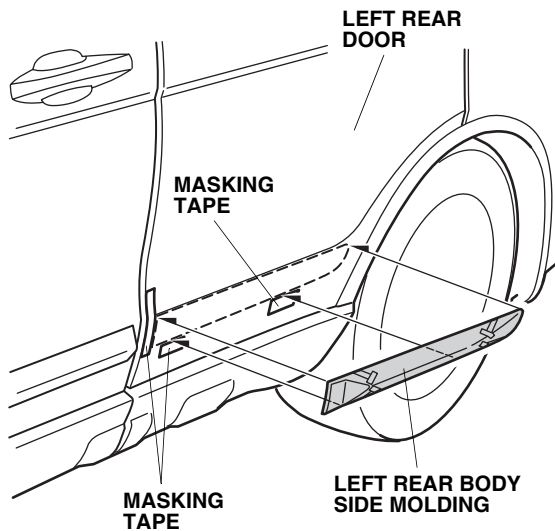
7. Measure and mark the left rear door, and attach masking tape in the areas shown.



- Peel back 1-1/2–2 inches of the adhesive backing, and tape them to the front of the rear body side molding. Remove the front and rear adhesive backings.

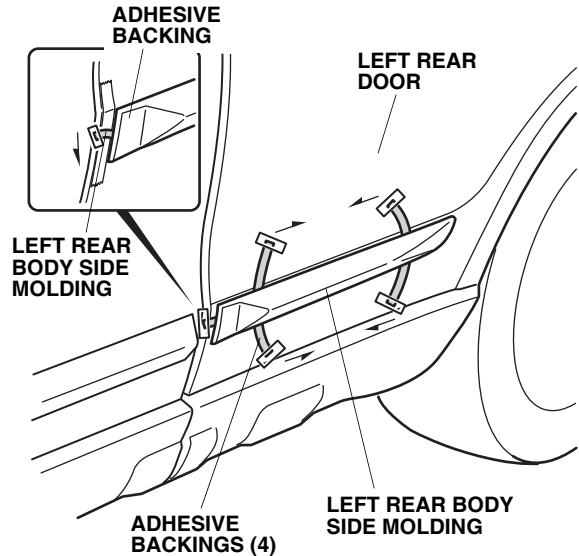


- Using one alcohol pad, clean the door where the left rear molding will attach.



- Position the left rear body side molding on the left rear door, aligning it with the masking tape you attached in step 7.

- Press on the left rear body side molding firmly with the palm of your hand while removing the adhesive backings. Remove about 50 to 100 mm at a time pressing on the molding with the palm of your hand.



- Remove the masking tape.
- Repeat steps 1 thru 12 to install the body side molding on the right side of the vehicle.